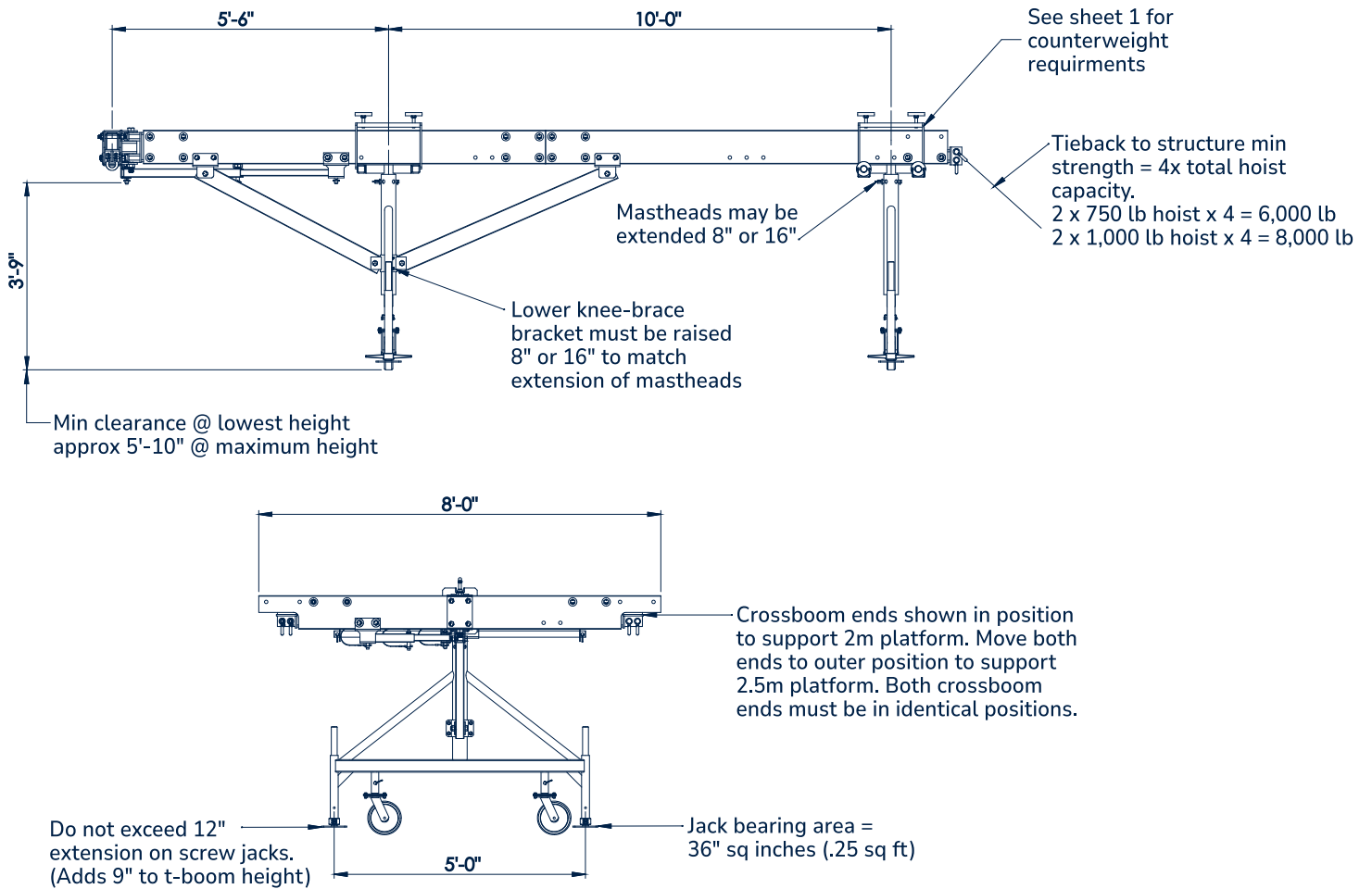


T-Boom Outrigger

4650-1000-DATASHEET



CAD generated drawing.
Do not manually update.

First angle projection



Scale

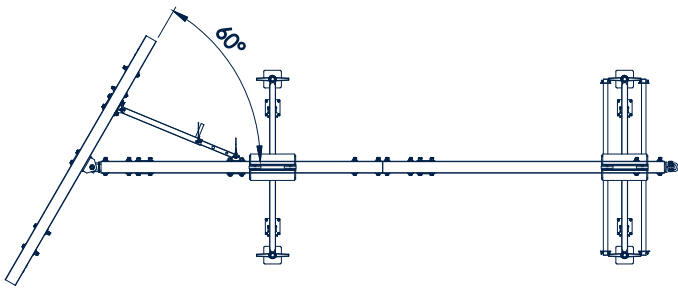
1:24

The information contained in this drawing is the sole property of Sky Climber. Any reproduction in part or whole without the written permission of Sky Climber is prohibited.

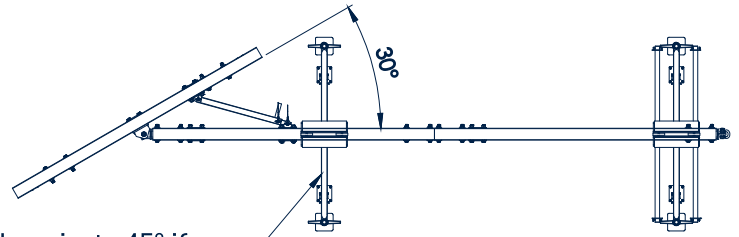
© 2026 Sky Climber, LLC. All rights reserved. Specifications subject to change without notice.

T-Boom Outrigger

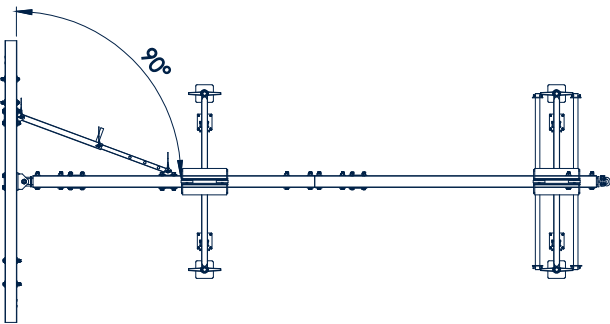
4650-1000-DATASHEET



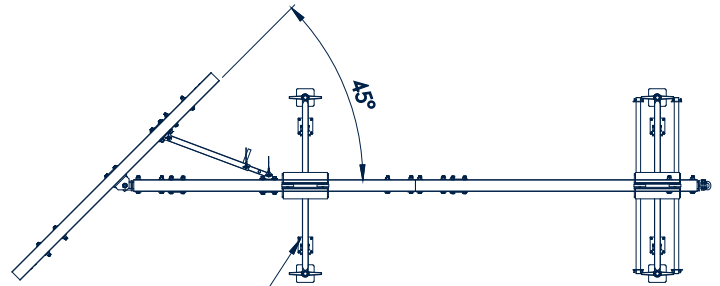
Crossboom @ 60°



Crossboom @ 30°



Crossboom @ 90°



Crossboom @ 45°

Note: Relocating the telescoping adjuster and brackets to other side of the boom will allow the crossboom to pivot in the opposite direction.

CAD generated drawing.
Do not manually update.

First angle projection



Scale

1:40

The information contained in this drawing is the sole property of Sky Climber. Any reproduction in part or whole without the written permission of Sky Climber is prohibited.

© 2026 Sky Climber, LLC. All rights reserved. Specifications subject to change without notice.