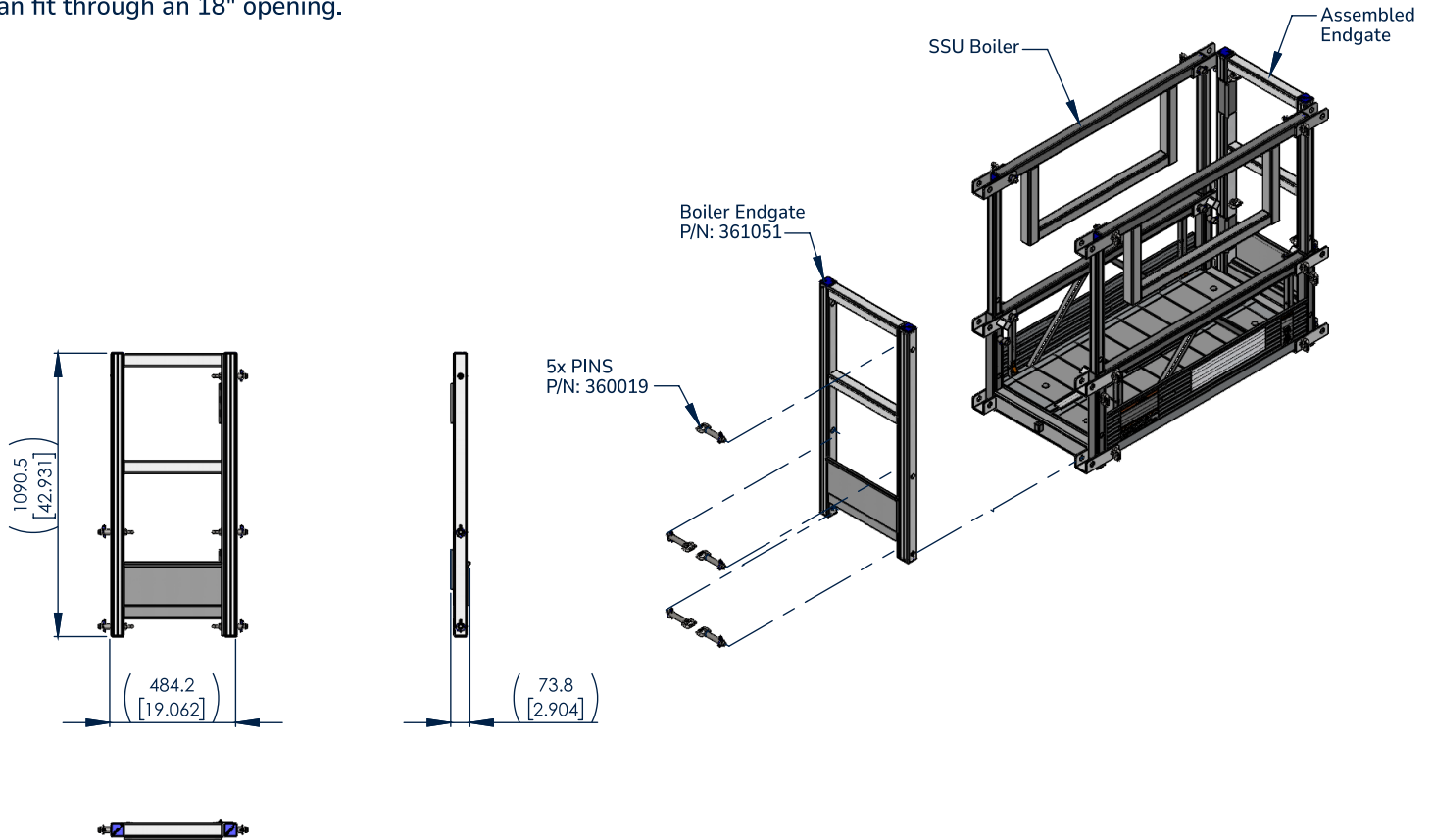


BV End Gate

361051-DATASHEET

Description

- The SSU Boiler Endgate is used to enclose one or both ends of the a boiler style SSU.
- Can fit through an 18" opening.



CAD generated drawing.
Do not manually update.

First angle projection



Scale
1:15

INFORMATION	361051-DATASHEET
Dimensions	19.062" x 2.904" x 42.931" (LxWxH)
Weight	18 lbs (Including pins) 14 lbs (Excluding pins)
Material	Aluminum

The information contained in this drawing is the sole property of Sky Climber. Any reproduction in part or whole without the written permission of Sky Climber is prohibited.

© 2026 Sky Climber, LLC. All rights reserved. Specifications subject to change without notice.