

# Walk-thru Hoist Mount Bar W/ Secondary Sky Lock



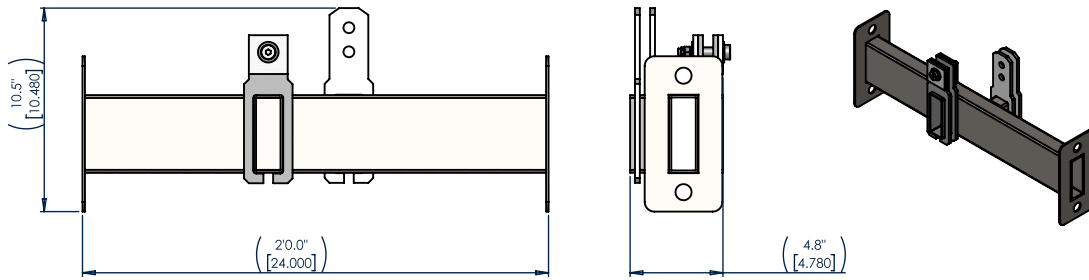
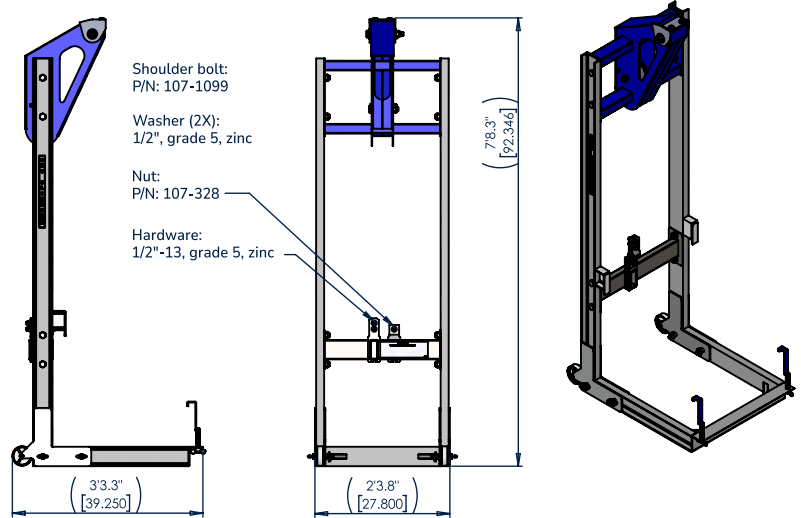
## 360247-DATASHEET

### Description

- Walk-Thru Hoist Mount Bar w/ Secondary Sky Lock - Compact, for use with Moveable Walk-Thru Stirrup. Replaces existing Hoist Mount Bar.

### Summary

- Can be used with hoists rated up to 1500 lbs.



CAD generated drawing. Do not manually update. First angle projection. Scale 1:20

INFORMATION	360247-DATASHEET
Dimensions	<b>24.0"x4.78"x10.48" (WxDxH)</b>
Weight	<b>15.5 lbs</b>
Material	<b>Steel</b>
Finish	<b>Blue Powder Coat</b>

The information contained in this drawing is the sole property of Sky Climber. Any reproduction in part or whole without the written permission of Sky Climber is prohibited.

© 2026 Sky Climber, LLC. All rights reserved. Specifications subject to change without notice.