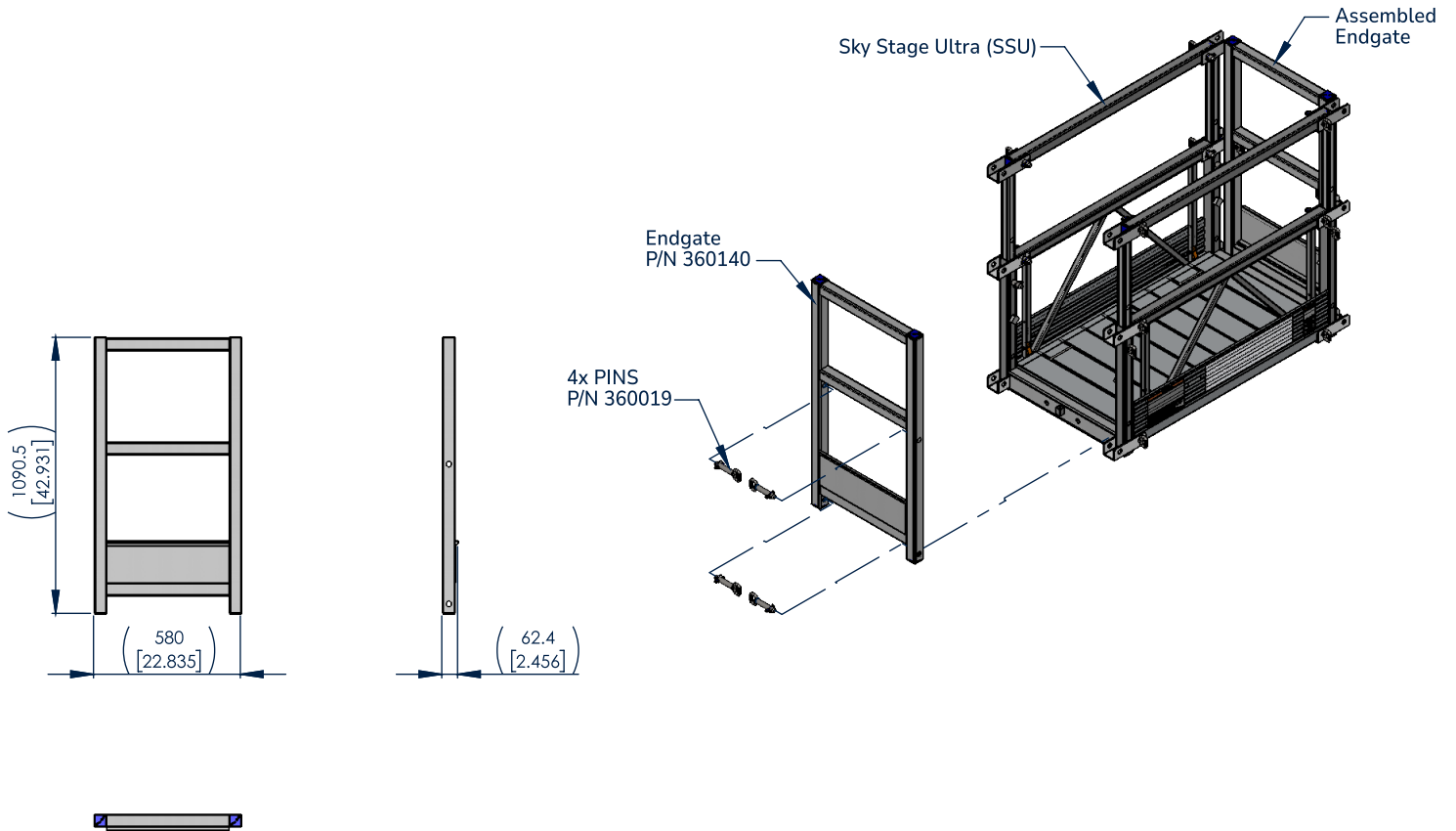


# End Gate

## 360140-DATASHEET

### Description

- The SSU Endgate is used to enclose one or both ends of standard platforms.



CAD generated drawing.  
Do not manually update.

First angle projection



Scale

1:15

INFORMATION	360140-DATASHEET
Dimensions	<b>22.835" x 2.456" x 42.931" (LxWxH)</b>
Weight	<b>15 lbs (Including pins)</b> <b>12 lbs (Excluding pins)</b>
Material	<b>Aluminum</b>

The information contained in this drawing is the sole property of Sky Climber. Any reproduction in part or whole without the written permission of Sky Climber is prohibited.

© 2026 Sky Climber, LLC. All rights reserved. Specifications subject to change without notice.