

Caster Assembly

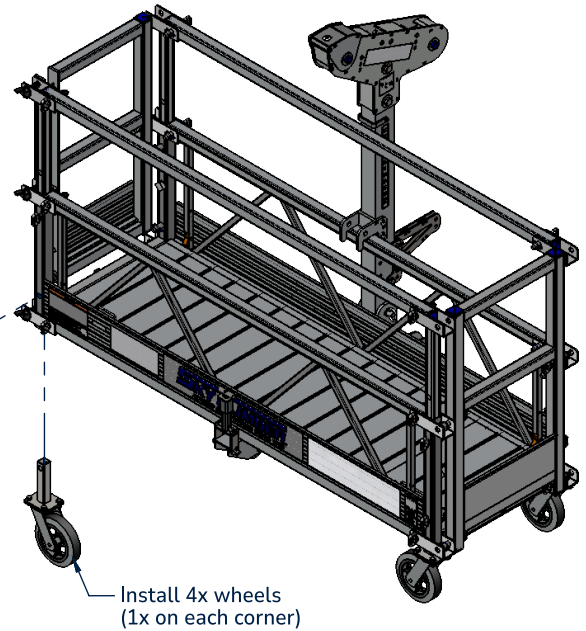
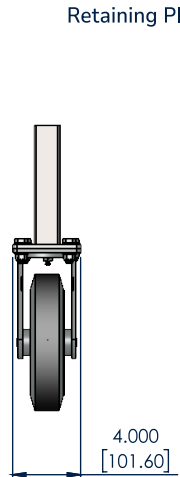
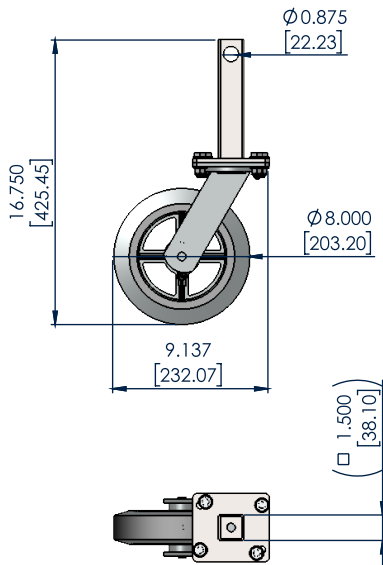
360065-DATASHEET

Description

- Casters are heavy duty wheels designed for standard SSU sections. They provide reliable mobility on rooftops while improving setup speed.

information

- Heavy-duty wheels for rooftop mobility.
- Smooth rolling action for easy repositioning.
- Durable construction for long service life.
- Compatible with Sky Climber rigging carts and rigs.



CAD generated drawing.
Do not manually update.

First angle projection



Scale

1:5

INFORMATION

360065-DATASHEET

Dimensions

9.137" x 4.000" x 16.750" (LxWxH)

Load Rating

1250 lbs per caster

Weight

12.803 lbs

Material

Steel

The information contained in this drawing is the sole property of Sky Climber. Any reproduction in part or whole without the written permission of Sky Climber is prohibited.

© 2026 Sky Climber, LLC. All rights reserved. Specifications subject to change without notice.