

Connection Frame Weldment

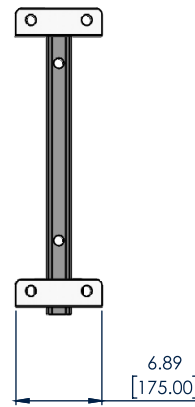
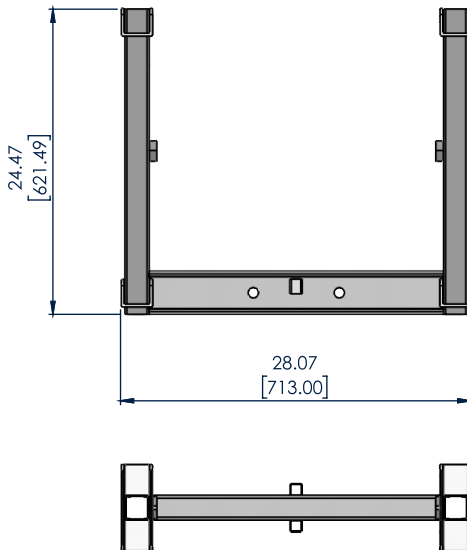
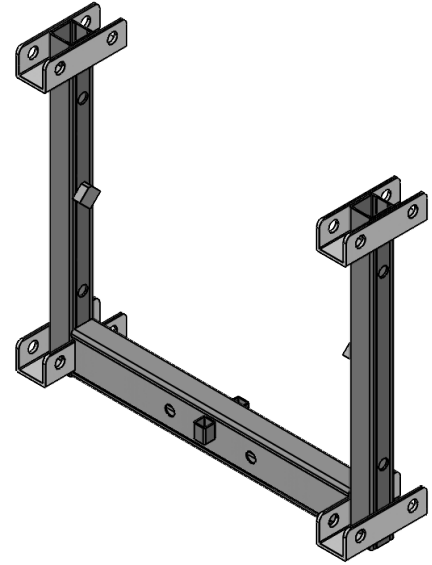
360039-DATASHEET

Description

- Connecting Frame links platform modules securely to create a stable working deck for suspended access. Designed for quick assembly and compatibility with Sky Climber components, it improves rigidity and safety across configurations.

Information

- Secure module connection for rigid platform assemblies.
- Quick pin/fastener interface speeds setup.
- Durable construction for long service life.
- Compatible with Sky Climber platform systems.



CAD generated drawing. Do not manually update. First angle projection Scale 1:6

INFORMATION	360039-DATASHEET
Dimensions	28.07" x 6.89" x 24.47" (LxWxH)
Weight	10.16 lbs
Material	Aluminum

The information contained in this drawing is the sole property of Sky Climber. Any reproduction in part or whole without the written permission of Sky Climber is prohibited.

© 2026 Sky Climber, LLC. All rights reserved. Specifications subject to change without notice.