

8ft Beam Connecting Tube

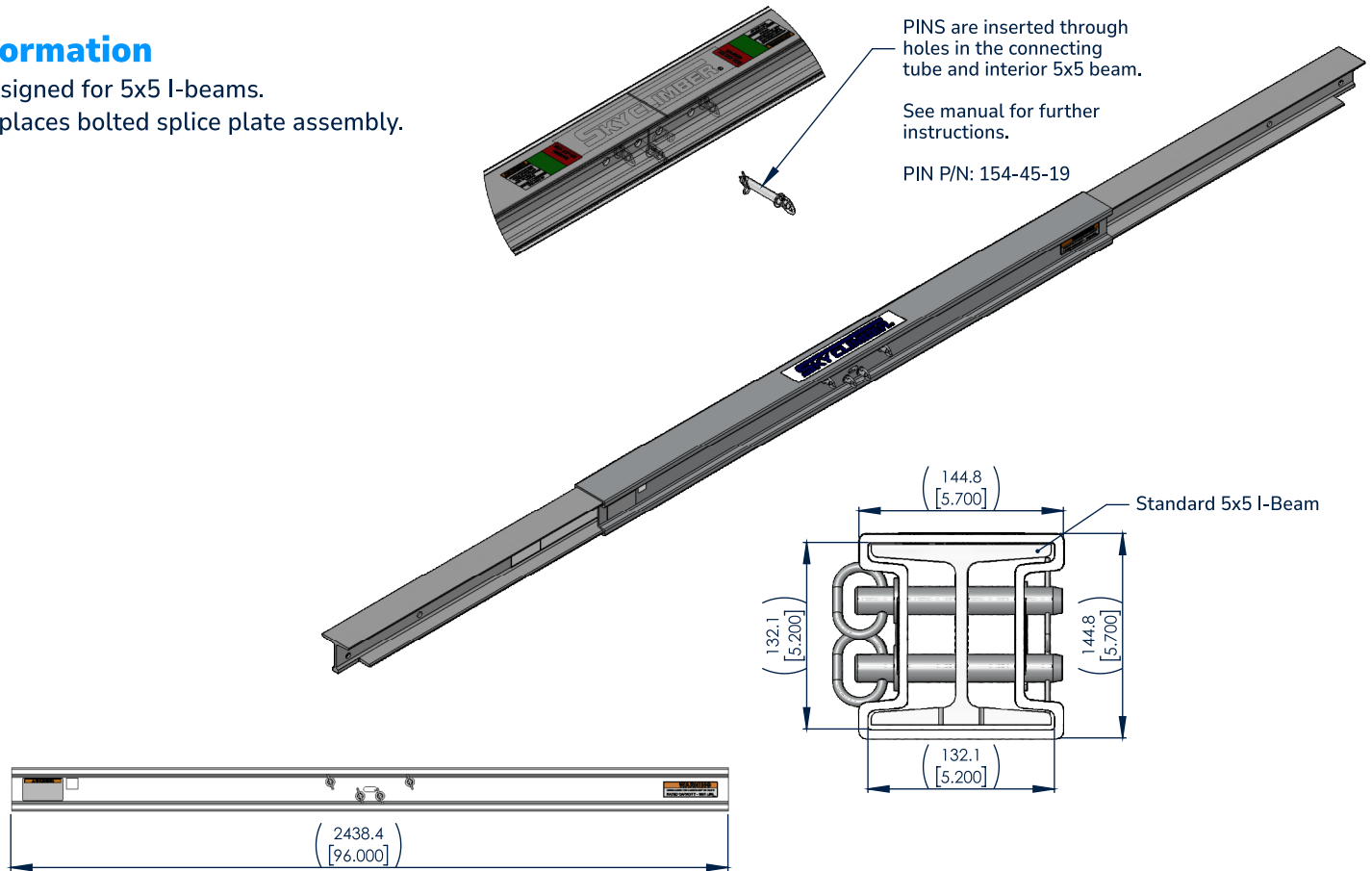
155-28-DATASHEET

Description

- 8 ft beam connecting tube to allow for longer rigging beam outreaches.

Information

- Designed for 5x5 I-beams.
- Replaces bolted splice plate assembly.



CAD generated drawing.
Do not manually update.

First angle projection



Scale

1:12

INFORMATION	155-28-DATASHEET
Dimensions	5.7"x5.7"x96.0" (WxHxL)
Weight	64 lbs
Material	Aluminum

The information contained in this drawing is the sole property of Sky Climber. Any reproduction in part or whole without the written permission of Sky Climber is prohibited.

© 2026 Sky Climber, LLC. All rights reserved. Specifications subject to change without notice.