

# Double Longhorn

## 154-25-DATASHEET

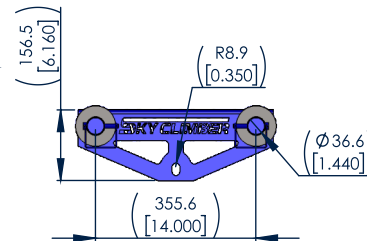
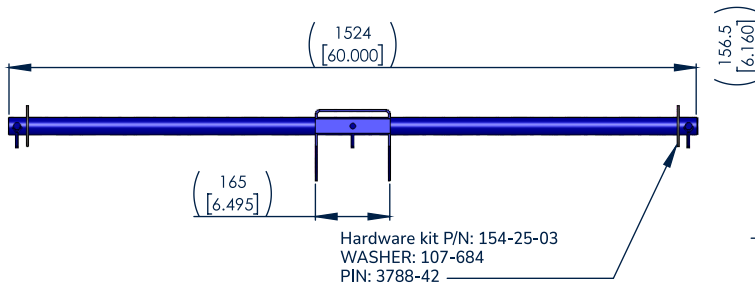
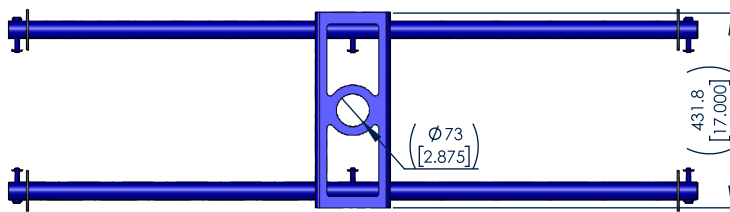
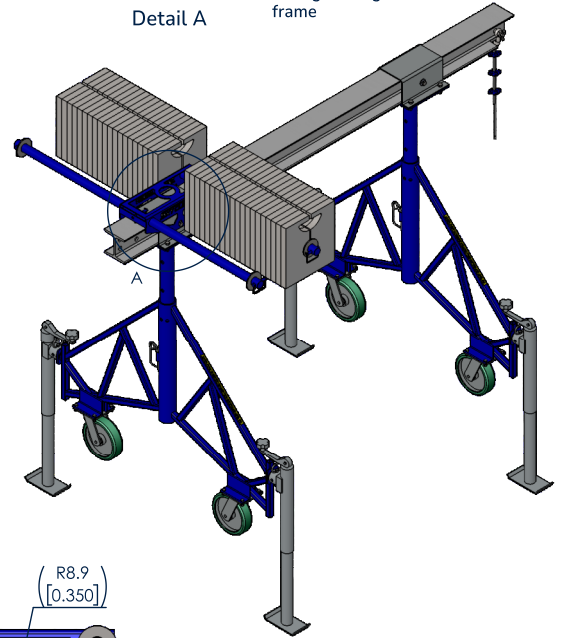
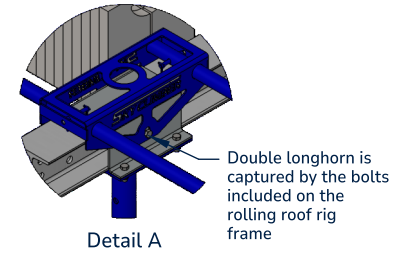
### Description

- Support for attaching counterweights to a rolling roof rig.

### Summary

- Mounts around the top hat of the rolling roof rig frame.  
- Can hold 80 counterweights, 20 on each rod.

• Note: When loading counterweights, distribute them to each bar evenly.



CAD generated drawing.  
Do not manually update.

First angle projection



Scale

1:16

### INFORMATION

### 154-25-DATASHEET

Dimensions

**60.0"x6.2"x17.0" (WxHxD)**

Weight

**69.8 lbs**

Material

**Steel, powder coated**

The information contained in this drawing is the sole property of Sky Climber. Any reproduction in part or whole without the written permission of Sky Climber is prohibited.

© 2026 Sky Climber, LLC. All rights reserved. Specifications subject to change without notice.