

Shackle 5-8in

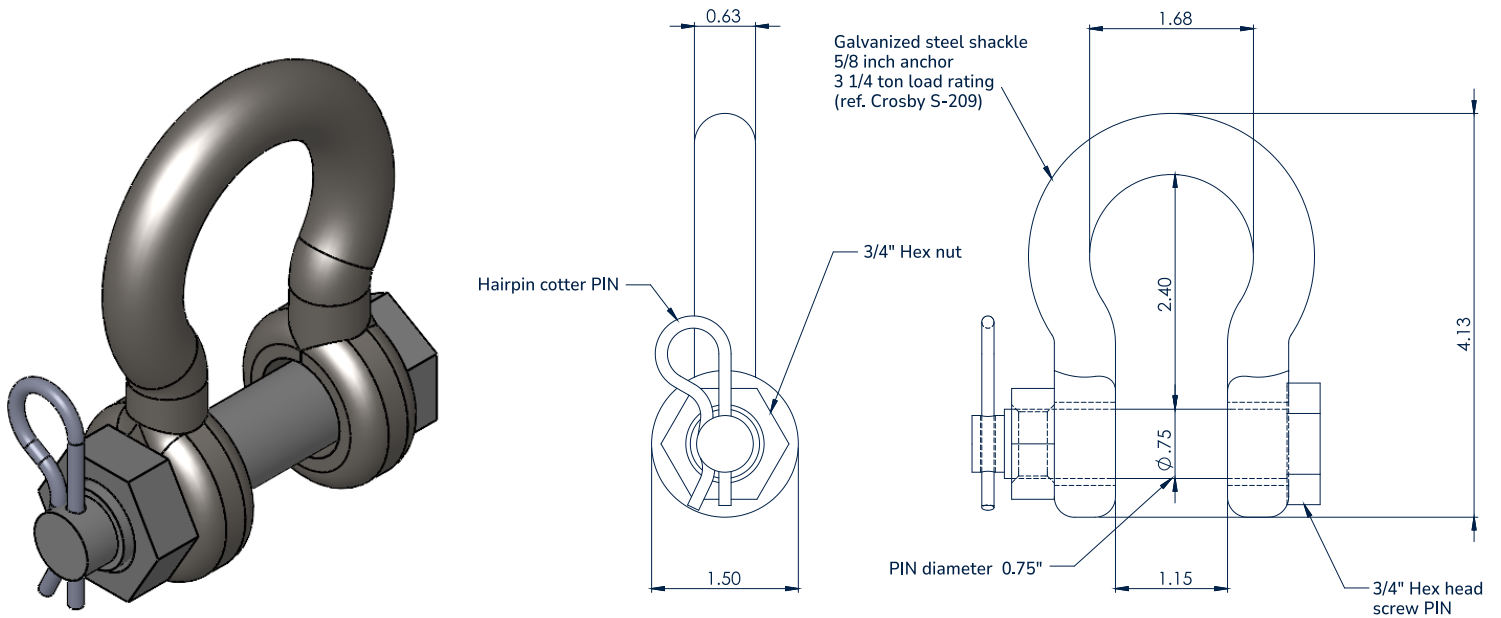
119-8-DATASHEET

Description

- 5/8" Shackle for connecting hooks, slings and other rigging and lifting equip.

Summary

- They meet ASME specifications for rigging and lifting.
- See manufacturer's specifications for full instructions.



CAD generated drawing.
Do not manually update.

First angle projection



Scale

1:10

INFORMATION	119-8-DATASHEET
Dimensions	As Shown
Material	Steel
Weight	1.5 lbs
Finish	Galvanized

The information contained in this drawing is the sole property of Sky Climber. Any reproduction in part or whole without the written permission of Sky Climber is prohibited.

© 2026 Sky Climber, LLC. All rights reserved. Specifications subject to change without notice.