

# Jack Sky Rig

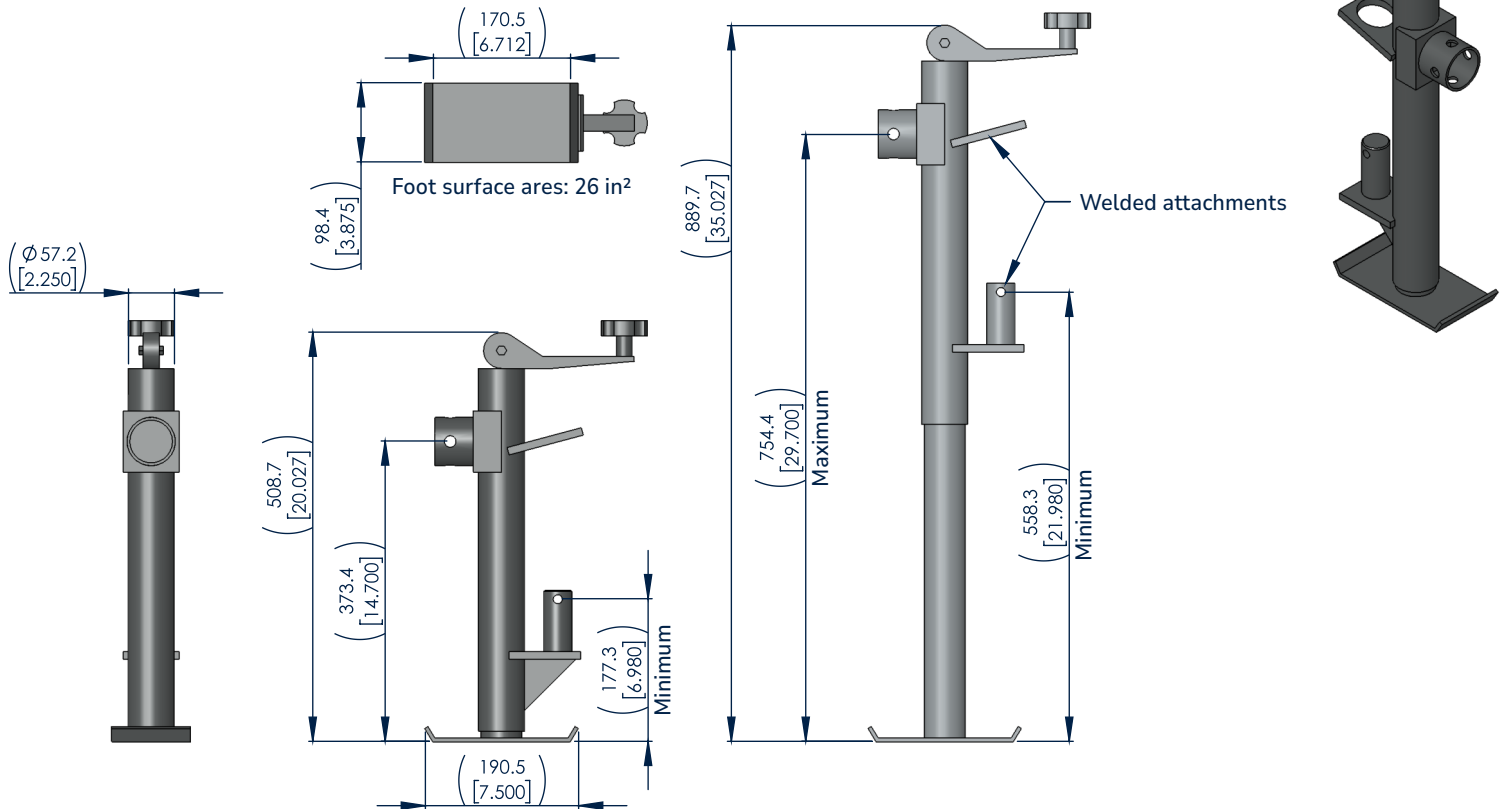
3835-0400-DATASHEET

## Description

- Jack attachment for the Sky Rig

## Information

- See the Sky Rig spec sheet for attachment details.



CAD generated drawing.  
Do not manually update.

First angle projection



Scale

2:10

INFORMATION	3835-0400-DATASHEET
Dimensions	<b>7.5"x3.88" (WxD)</b>
Material	<b>Steel</b>
Weight	<b>12.4 lbs</b>

The information contained in this drawing is the sole property of Sky Climber. Any reproduction in part or whole without the written permission of Sky Climber is prohibited.

© 2026 Sky Climber, LLC. All rights reserved. Specifications subject to change without notice.