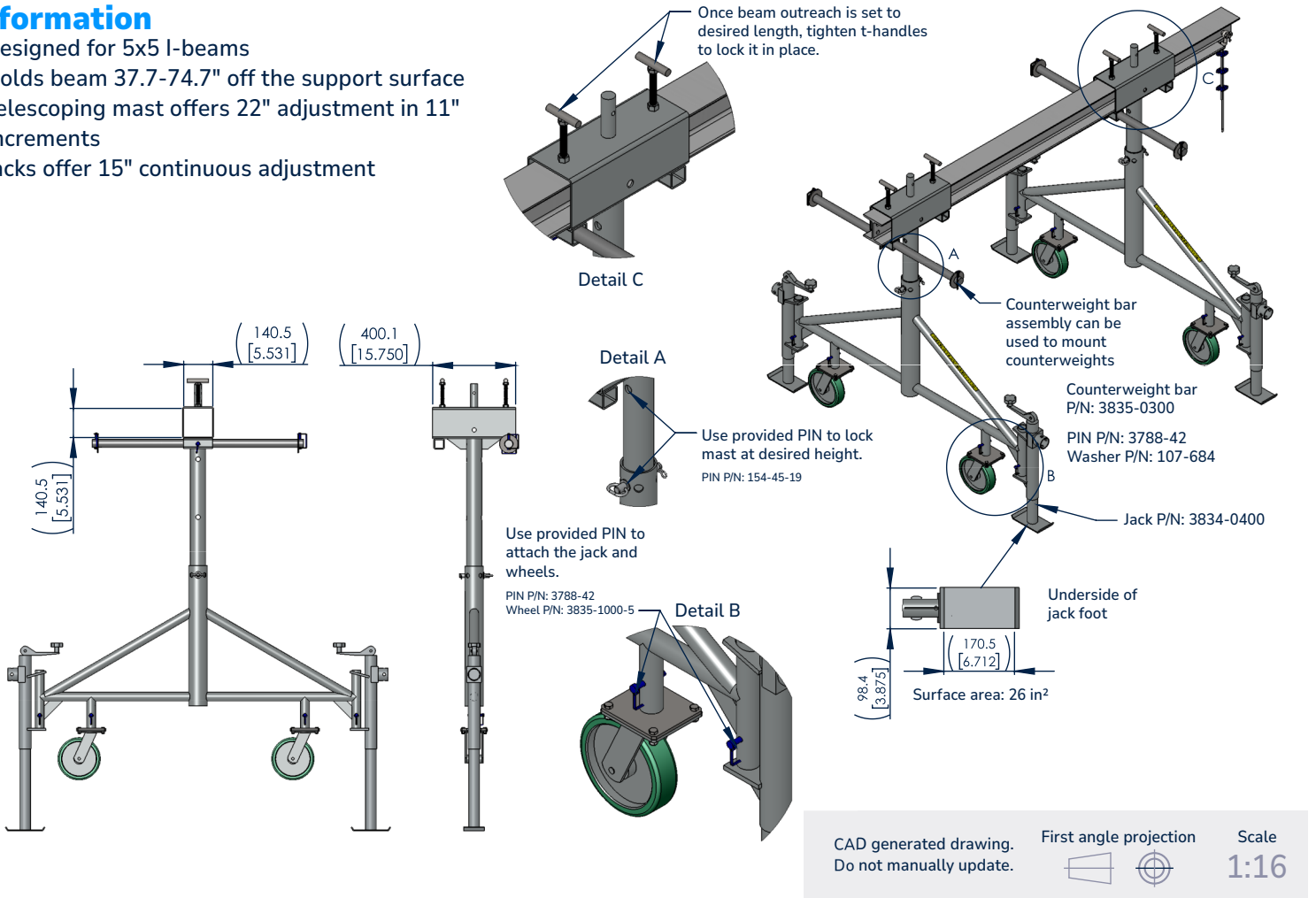


### Description

- Beam stand for supporting outreach beams at adjustable heights.

### Information

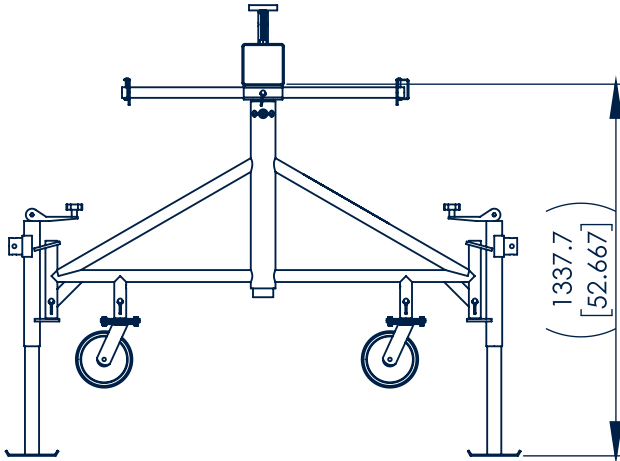
- Designed for 5x5 I-beams
- Holds beam 37.7-74.7" off the support surface
- Telescoping mast offers 22" adjustment in 11" increments
- Jacks offer 15" continuous adjustment



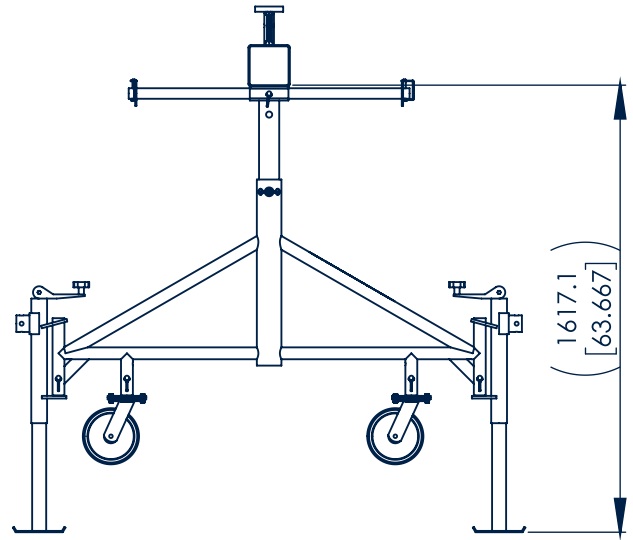
INFORMATION		3835-1000-DATASHEET	
Dimensions	<b>72.2"x15.8" (WxD)</b>	- Different height configurations are shown on the following three pages.	
Material	<b>Steel, galvanized</b>		
Weight	<b>174.9 lbs</b>		
Can support	<b>10,000 lbs when using jacks, 20,000 lbs otherwise</b>		

The information contained in this drawing is the sole property of Sky Climber. Any reproduction in part or whole without the written permission of Sky Climber is prohibited.

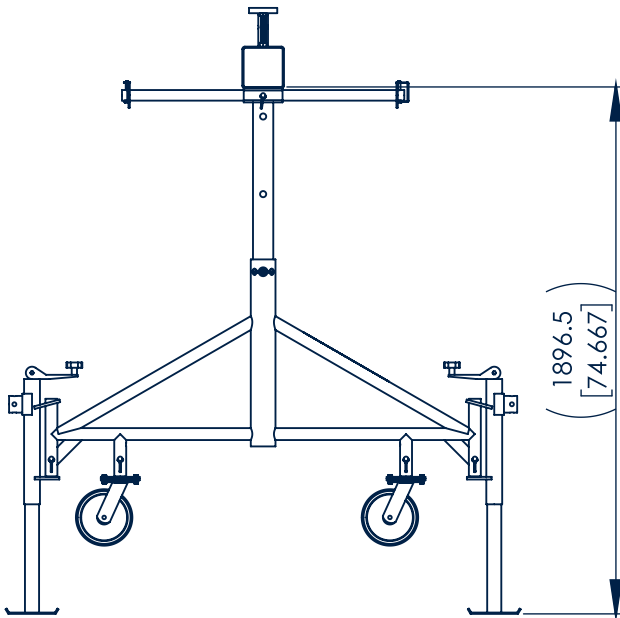
© 2026 Sky Climber, LLC. All rights reserved. Specifications subject to change without notice.



First step, jacks up



Second step, jacks up



Third step, jacks up

CAD generated drawing.  
Do not manually update.

First angle projection

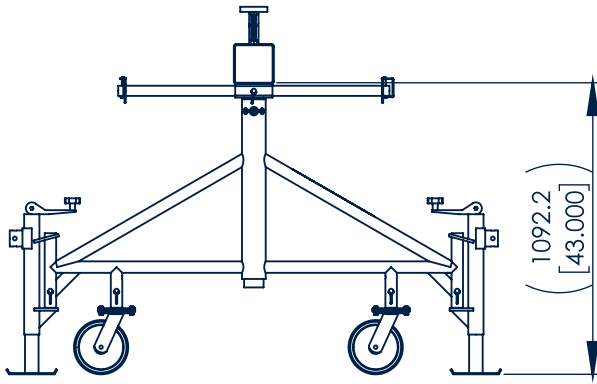


Scale

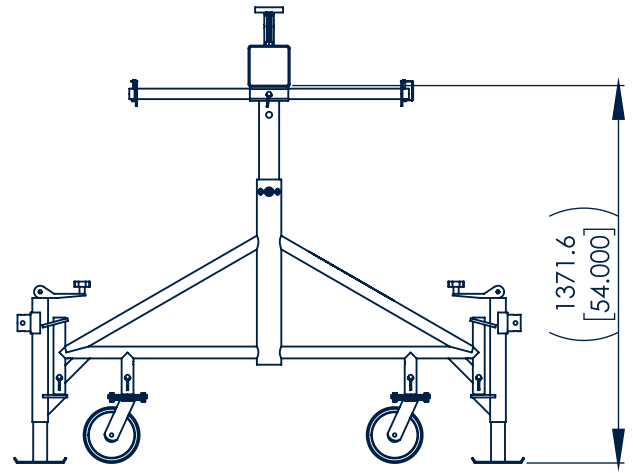
1:20

The information contained in this drawing is the sole property of Sky Climber. Any reproduction in part or whole without the written permission of Sky Climber is prohibited.

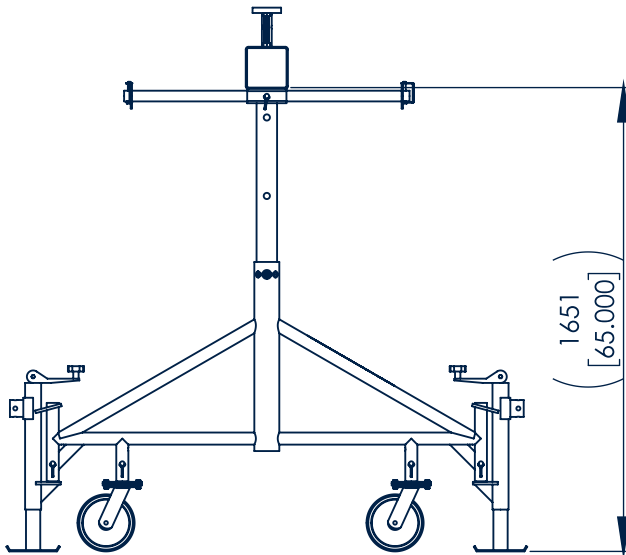
© 2026 Sky Climber, LLC. All rights reserved. Specifications subject to change without notice.



First stop, jacks down



Second stop, jacks down



Thrid stop, jacks down

CAD generated drawing.  
Do not manually update.

First angle projection

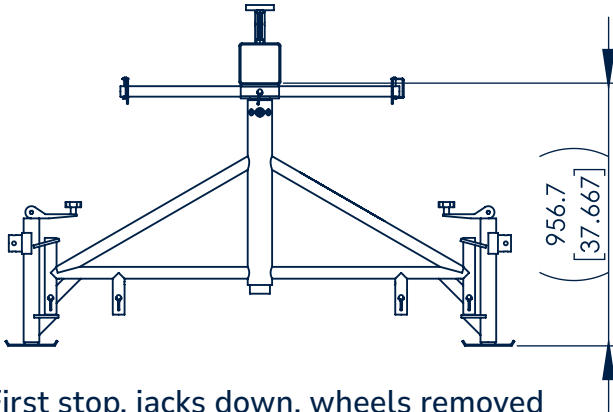


Scale

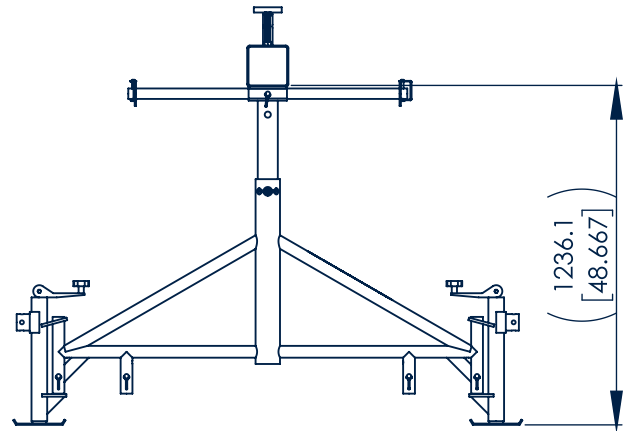
1:20

The information contained in this drawing is the sole property of Sky Climber. Any reproduction in part or whole without the written permission of Sky Climber is prohibited.

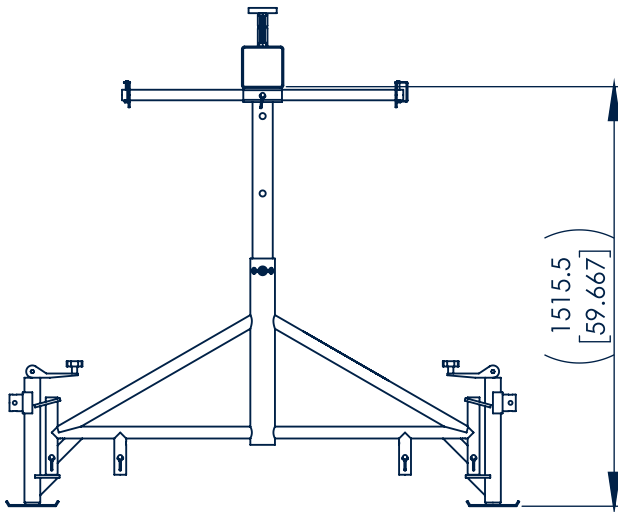
© 2026 Sky Climber, LLC. All rights reserved. Specifications subject to change without notice.



First step, jacks down, wheels removed



Second step, jacks down, wheels removed



Third step, jacks down, wheels removed

CAD generated drawing.  
Do not manually update.

First angle projection



Scale

1:20

The information contained in this drawing is the sole property of Sky Climber. Any reproduction in part or whole without the written permission of Sky Climber is prohibited.

© 2026 Sky Climber, LLC. All rights reserved. Specifications subject to change without notice.