

Jack Rolling Roof Rig

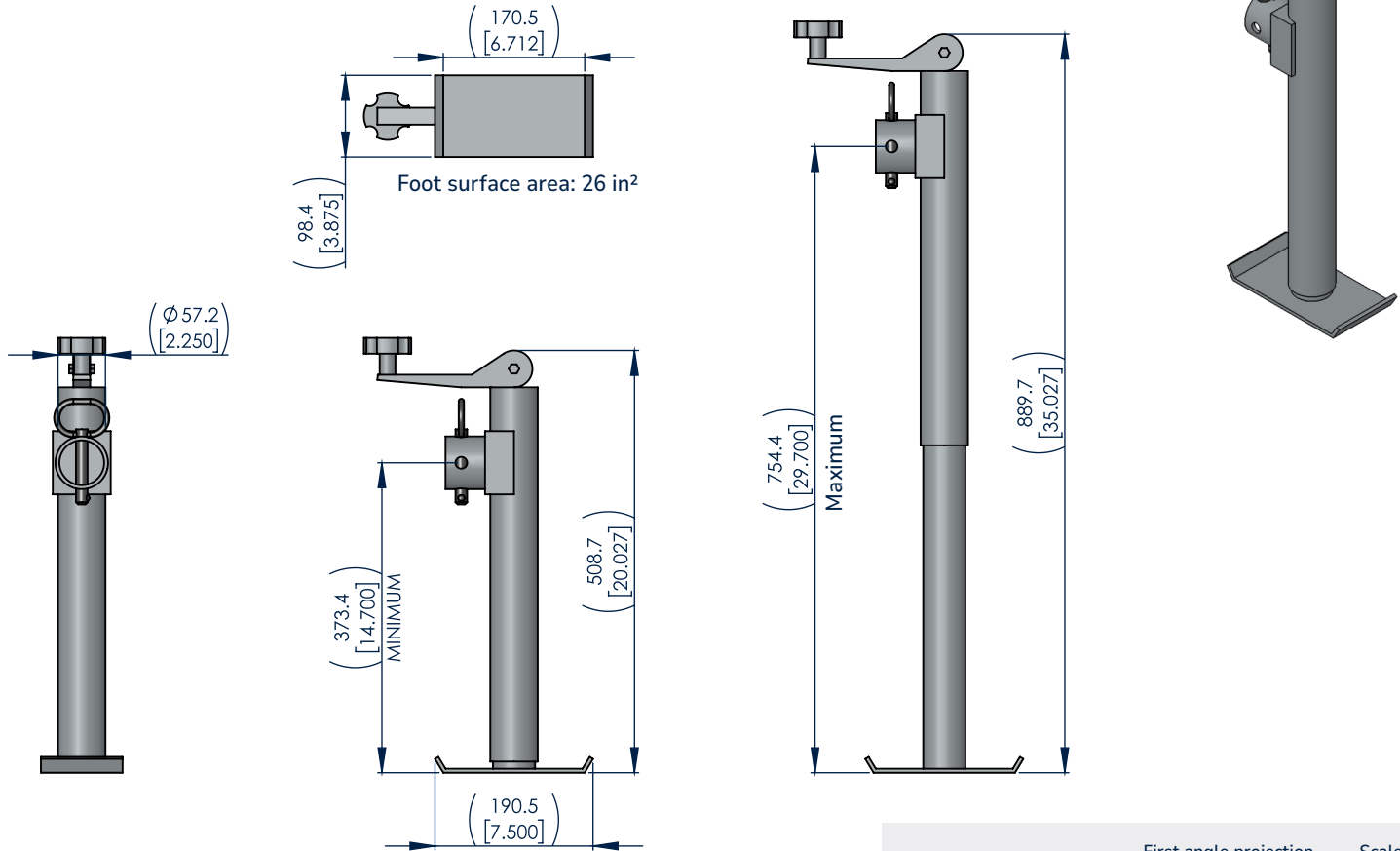
154-24-07-DATASHEET

Description

- Jack attachment for the rolling roof rig

Information

- See the rolling roof rig spec sheet for attachment details.



CAD generated drawing.
Do not manually update.

First angle projection



Scale

2:10

INFORMATION	154-24-07-DATASHEET
Dimensions	7.5"x3.88" (WxD)
Material	Steel
Weight	12.4 lbs

The information contained in this drawing is the sole property of Sky Climber. Any reproduction in part or whole without the written permission of Sky Climber is prohibited.

© 2026 Sky Climber, LLC. All rights reserved. Specifications subject to change without notice.