

Rolling Roof Rig

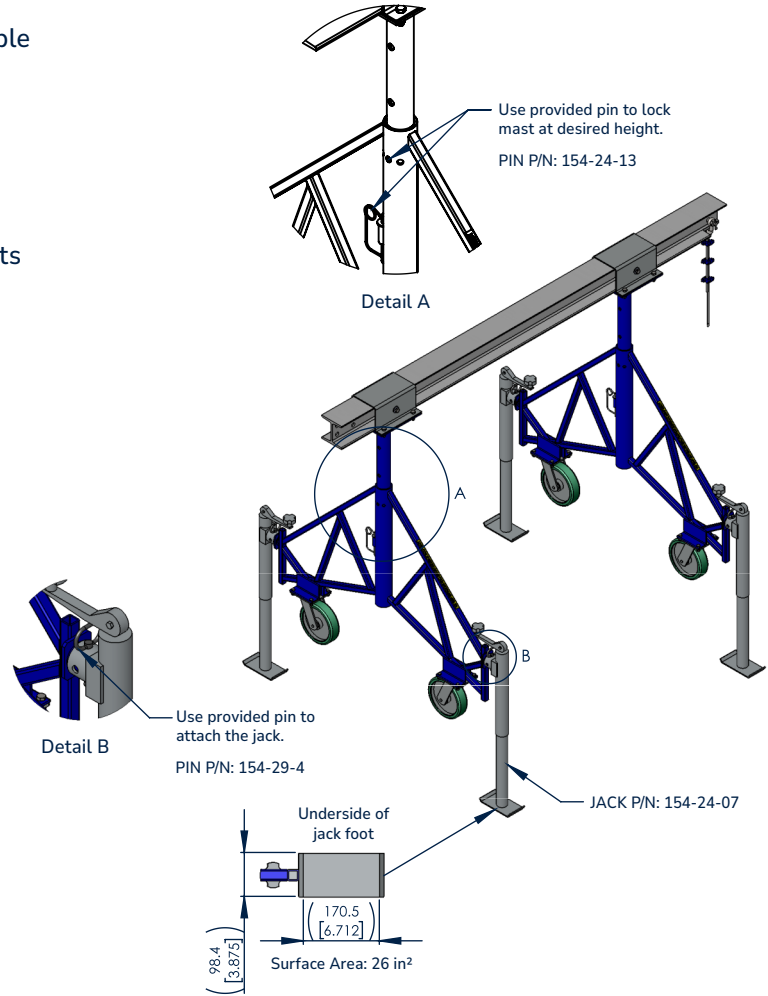
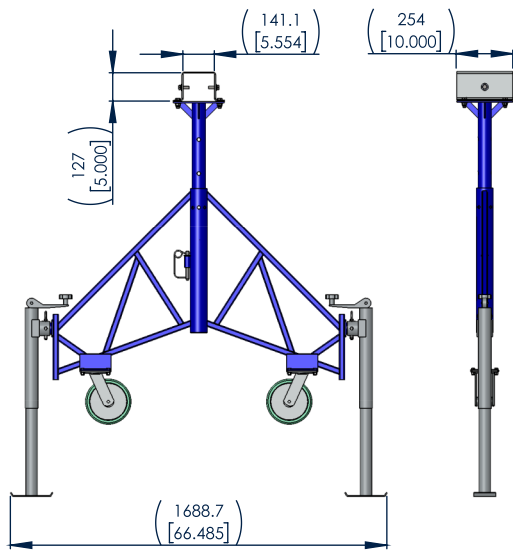
154-24-DATASHEET

Description

- Beam stand for supporting outreach beams at adjustable heights.

Information

- Designed for 5x5 I-beams
- Holds beam 42.8-75.8" off the support surface
- Telescoping mast offers 18" adjustment in 6" increments
- Jacks offer 15" continuous adjustment



CAD generated drawing.
Do not manually update.

First angle projection



Scale

1:16

INFORMATION

Dimensions

66.5"x10.0" (WxD) - Different height configurations are shown on the following three pages.

Material

Steel, powder coated

Weight

158.5 lbs

Can support

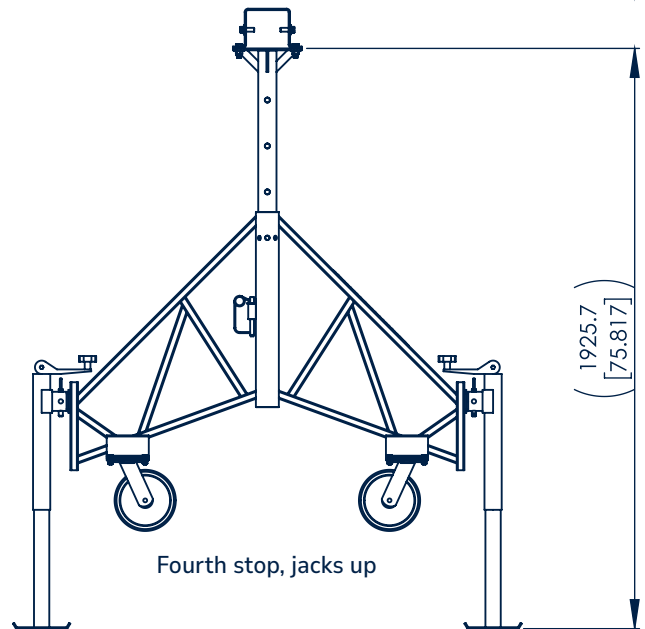
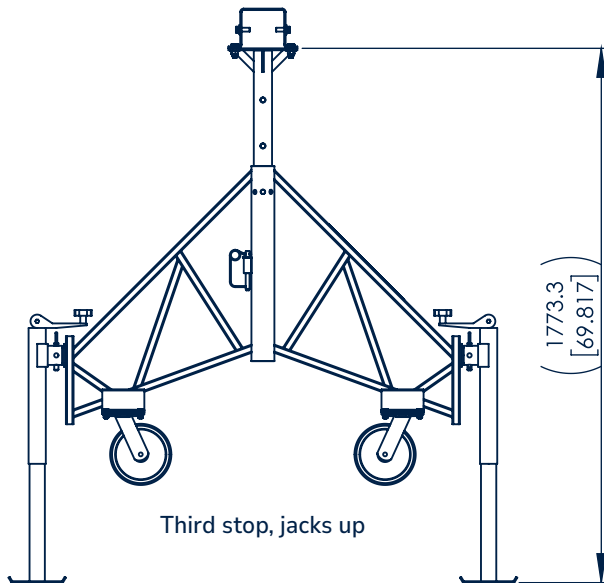
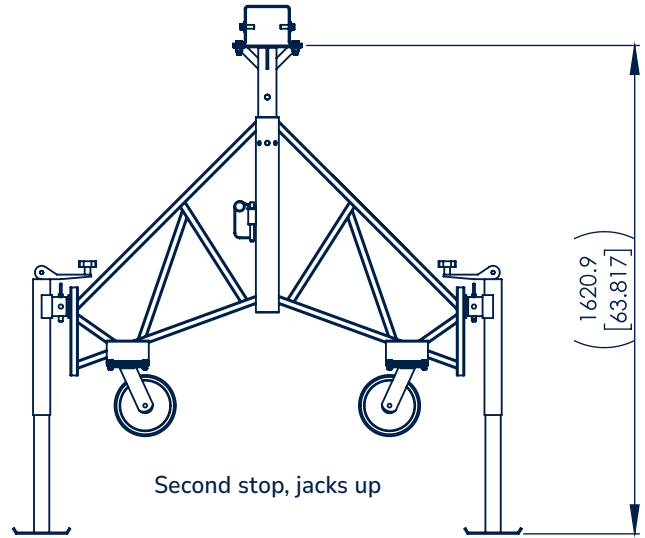
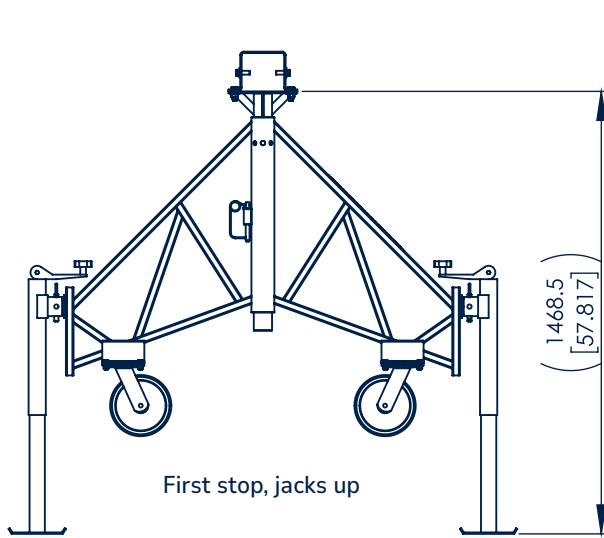
10,000 lbs

The information contained in this drawing is the sole property of Sky Climber. Any reproduction in part or whole without the written permission of Sky Climber is prohibited.

© 2026 Sky Climber, LLC. All rights reserved. Specifications subject to change without notice.

Rolling Roof Rig

154-24-DATASHEET



CAD generated drawing.
Do not manually update.

First angle projection



Scale

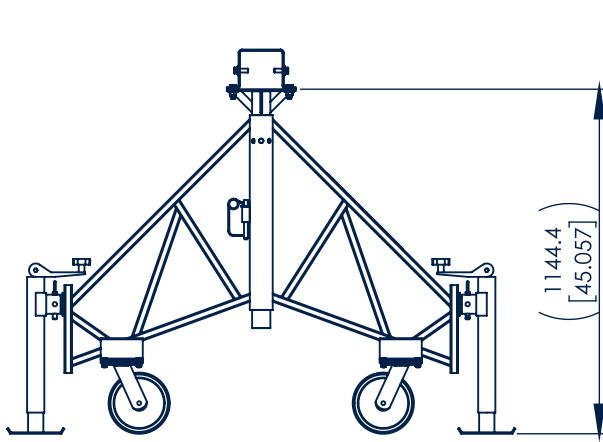
1:16

The information contained in this drawing is the sole property of Sky Climber. Any reproduction in part or whole without the written permission of Sky Climber is prohibited.

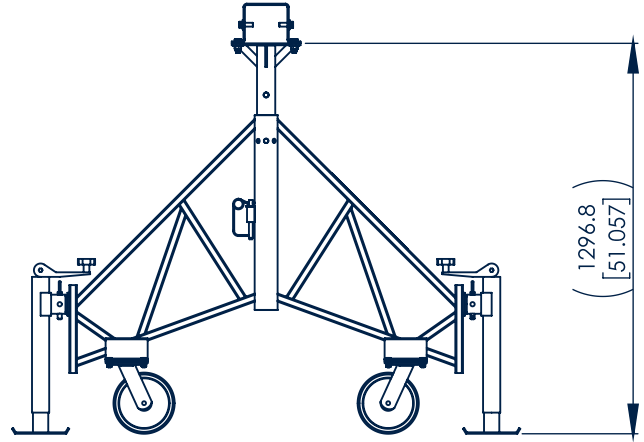
© 2026 Sky Climber, LLC. All rights reserved. Specifications subject to change without notice.

Rolling Roof Rig

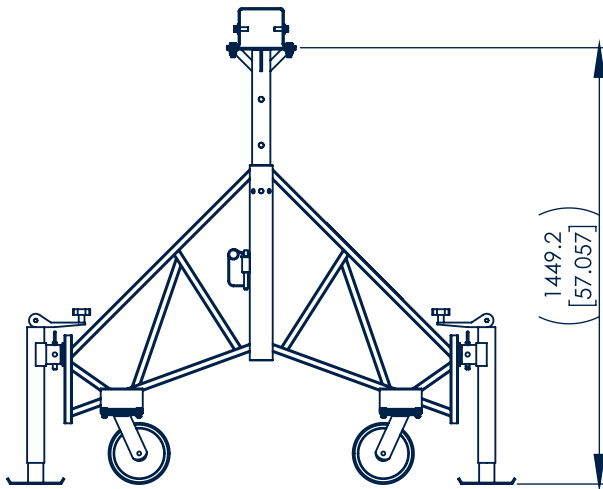
154-24-DATASHEET



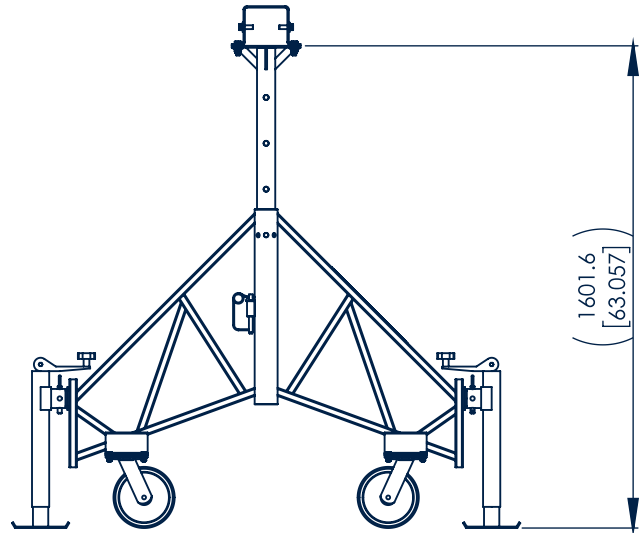
First step, jacks down



Second step, jacks down



Third step, jacks down



Fourth step, jacks down

CAD generated drawing.
Do not manually update.

First angle projection



Scale

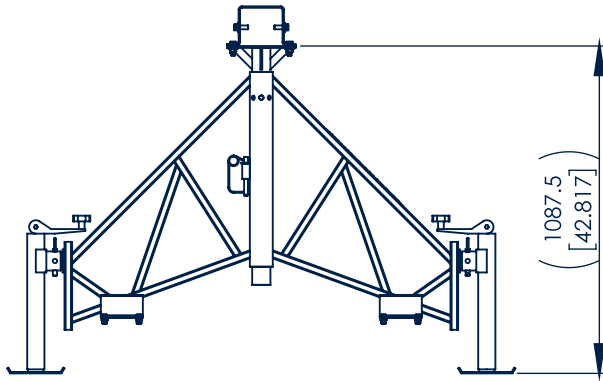
1:16

The information contained in this drawing is the sole property of Sky Climber. Any reproduction in part or whole without the written permission of Sky Climber is prohibited.

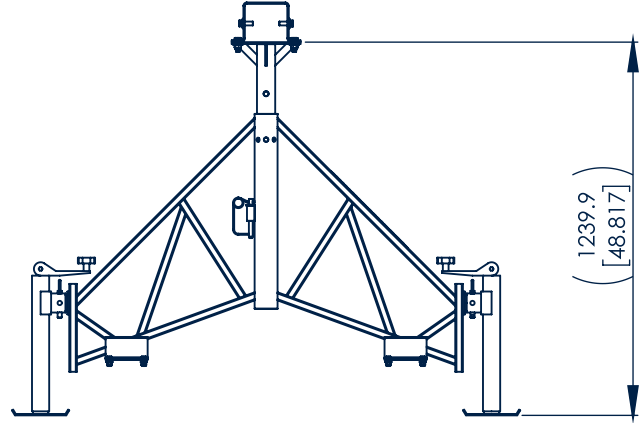
© 2026 Sky Climber, LLC. All rights reserved. Specifications subject to change without notice.

Rolling Roof Rig

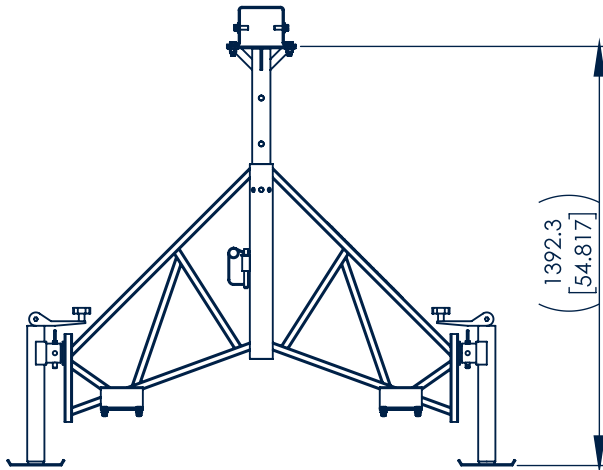
154-24-DATASHEET



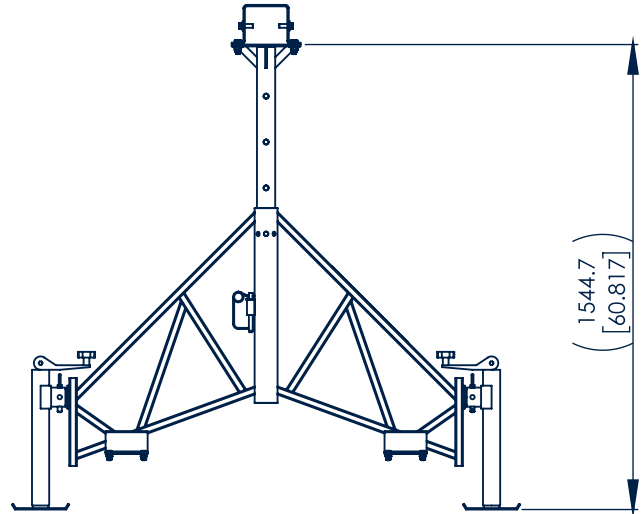
First step, jacks down, wheels removed



Second step, jacks down, wheels removed



Third step, jacks down, wheels removed



Fourth step, jacks down, wheels removed

CAD generated drawing.
Do not manually update.

First angle projection



Scale

1:16

The information contained in this drawing is the sole property of Sky Climber. Any reproduction in part or whole without the written permission of Sky Climber is prohibited.

© 2026 Sky Climber, LLC. All rights reserved. Specifications subject to change without notice.