

Rigging Tripod

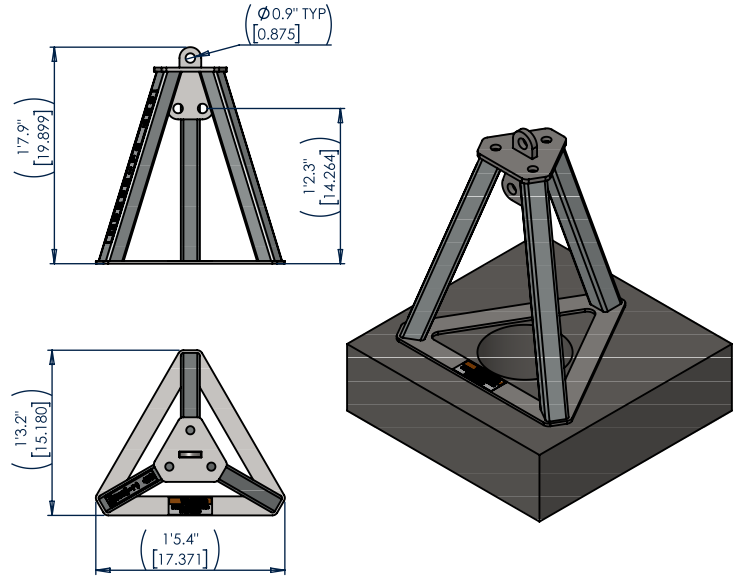
4543-1000-DATASHEET

Description

- Enables user to utilize either vertical lifeline or hoist rigging through an opening.

Summary:

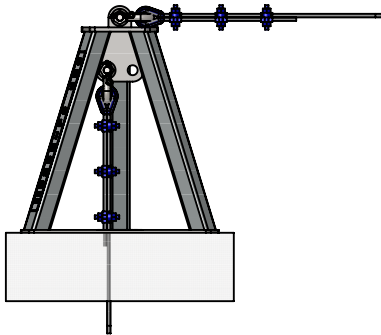
- Can be used through hole in structural concrete (10" max) or through a grated steel deck.
- Can be used with up to 1500 lbs rated hoist (single line or dual line). Safety factor 4:1.
- Can be used for single vertical lifeline (1 person), rated for 5000 lbs.
- Can be used in conjunction with insulated thimble (P/N: 119-77) for weld protection.



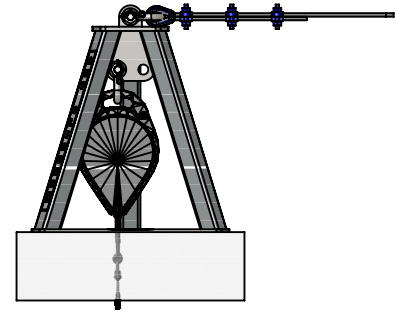
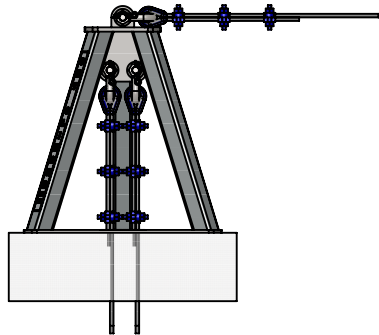
Vertical Lifeline (VLL)
(Tie-back shown is optional)

Structural Loading requirements	
Tripod Attachment Configuration	Factored Load on Structure (4:1)
1000 lbs Capacity Hoist	4000 lbs
1250 lbs Capacity Hoist	5000 lbs
1500 lbs Capacity Hoist	6000 lbs
Vertical Lifeline (1 Man)	5000 lbs

Single (Primary) Suspension Line
(Tie-back shown is optional)



Dual (Primary/Secondary) Suspension Line
(Tie-back shown is optional)



CAD generated drawing.
do not manually update.

First angle projection



Scale

1:10

INFORMATION	4543-1000-DATASHEET
Dimensions	17.4"x15.2"x19.9" (WxDxH)
Material	Steel, galvanized
Weight	22.5 lbs

The information contained in this drawing is the sole property of Sky Climber. Any reproduction in part or whole without the written permission of Sky Climber is prohibited.

© 2026 Sky Climber, LLC. All rights reserved. Specifications subject to change without notice.