

# Low Mount Boiler End Stirrup

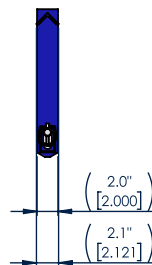
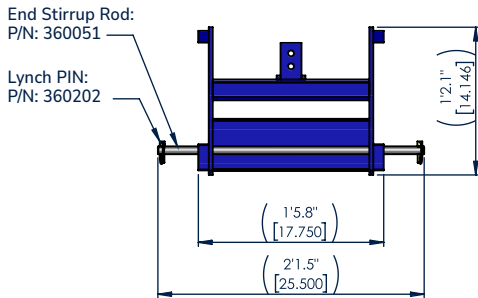
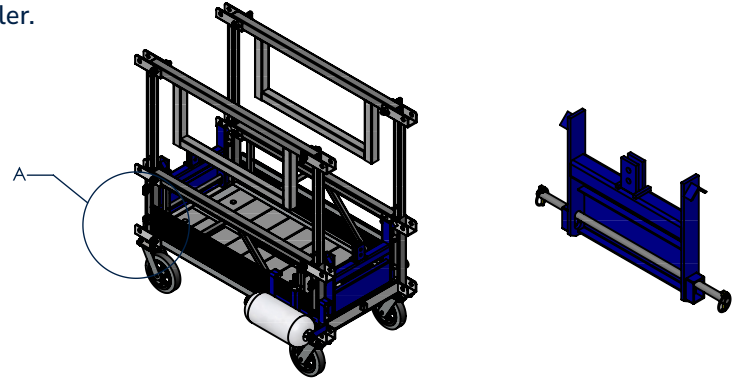
## 3623-1000-DATASHEET

### Description

- Low Mount Boiler End Stirrup, for use with Sky Stage Ultra - Boiler.

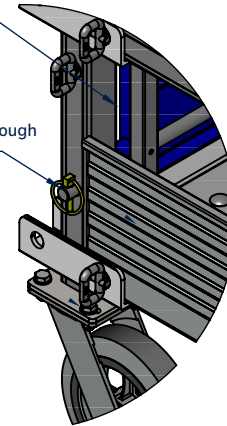
### Summary

- Can be used with hoists rated up to 1500 lbs.



Installation:  
- Ensure angle is nested over mating feature on connecting frame

Installation:  
- Install stirrup rod through connecting frame



Detail A  
Scale 1:5

CAD generated drawing.  
Do not manually update.

First angle projection



Scale

1:10

### INFORMATION

### 3623-1000-DATASHEET

Dimensions

**25.5"x2.121"x14.146" (WxDxH)**

Material

**Steel**

Weight

**20.2 lbs**

Finish

**Blue Powder Coat**

The information contained in this drawing is the sole property of Sky Climber. Any reproduction in part or whole without the written permission of Sky Climber is prohibited.

© 2026 Sky Climber, LLC. All rights reserved. Specifications subject to change without notice.