

LPKD 2.0 WALL ROLLER

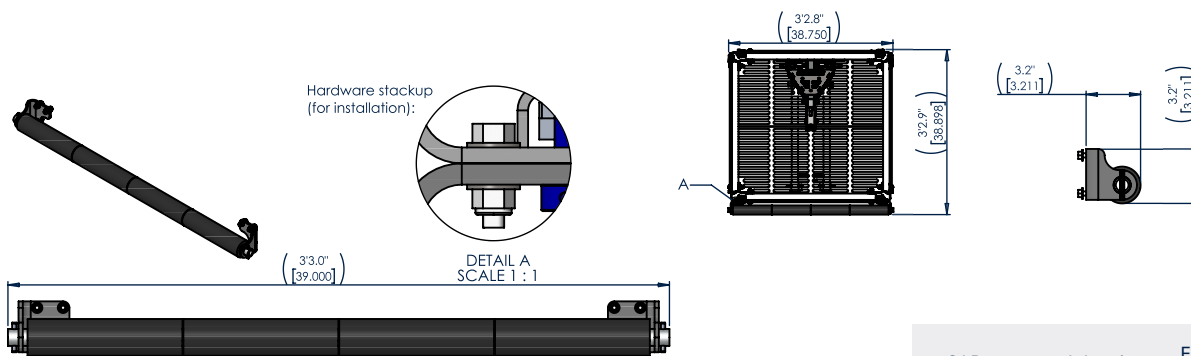
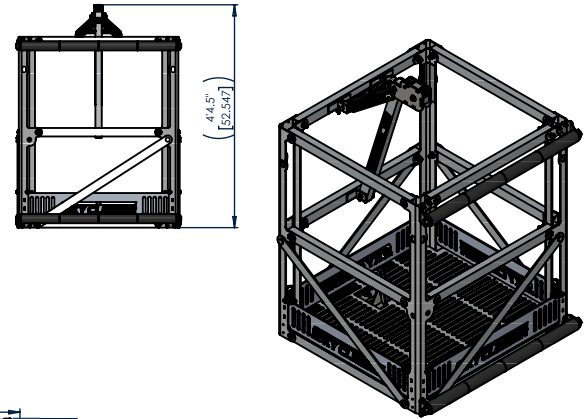
106-203-2.0-WR-DATASHEET

Description

- Wall rollers specifically designed for use on 106-203-2.0 (LPKD 2.0). Each 106-203-2.0-WR is a single row of rollers. If top and bottom rollers are desired, order (qty: 2) 106-203-2.0-WR.

Summary:

- Wall rollers extend the full width of stage
- Low profile (Only extends 3.2" off the front of the stage)
- Hardware is provided for installation
- Can be left in place when laying flat. Must be removed for full breakdown.



CAD generated drawing.
do not manually update.

First angle projection

Scale
1:20

INFORMATION

106-203-2.0-WR-DATASHEET

WLL	150 lbs (equally distributed along rollers)
Dimensions	39"x3.2"x3.2" (WxDxH)
Roller Material	Rubber
Axle and Roller Core Material	Aluminum
Hardware Material	Carbon Steel
Weight	6 lbs
Roller Finish	None
Axle and Roller Core Finish	None
Hardware Finish	Zinc
Replacement Parts	There are 4 individual rollers (P/N: 112-139) on each axle and can be ordered seperately in the event of wear

The information contained in this drawing is the sole property of Sky Climber. Any reproduction in part or whole without the written permission of Sky Climber is prohibited.

© 2026 Sky Climber, LLC. All rights reserved. Specifications subject to change without notice.