

Inward Swinging End Gate

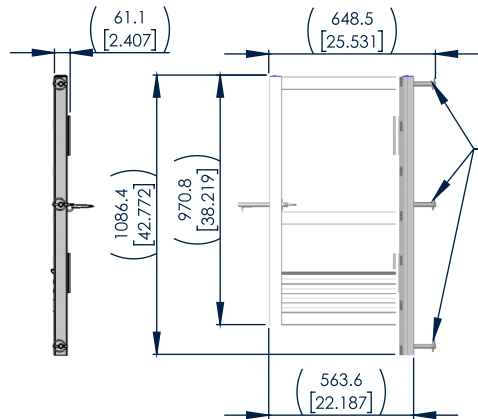
3943-DATASHEET

Description

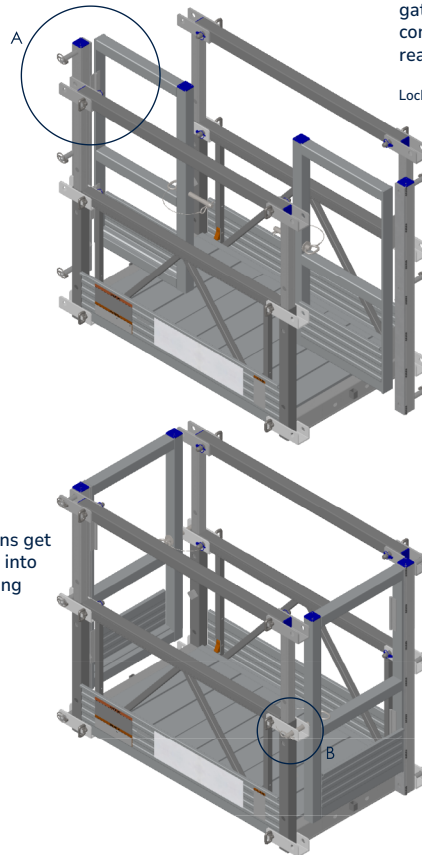
- End gate that swings into the platform to allow easy entrance to and exit from a temporary standard-width SSU platform.

Information:

- Installed by inserting three pins into the connecting frame.



Three pins get inserted into connecting frame



Remove locking pin before inserting the gate pins (3x) into the connecting frame. reattach once installed.

Locking PIN P/N: 360008

Make sure the hinges are facing into the platform

Detail A

Use stage pin to secure gate in closed position, making sure to fasten the locking pin.
Stage PIN P/N: 3943-500

Detail B

CAD generated drawing. do not manually update.

First angle projection



Scale

7:100

INFORMATION	3943-DATASHEET
Dimensions	25.5"x2.4"x42.8" (WxDxH)
Material	Aluminum
Weight	18.0 lbs

The information contained in this drawing is the sole property of Sky Climber. Any reproduction in part or whole without the written permission of Sky Climber is prohibited.

© 2026 Sky Climber, LLC. All rights reserved. Specifications subject to change without notice.