

Beam Stand

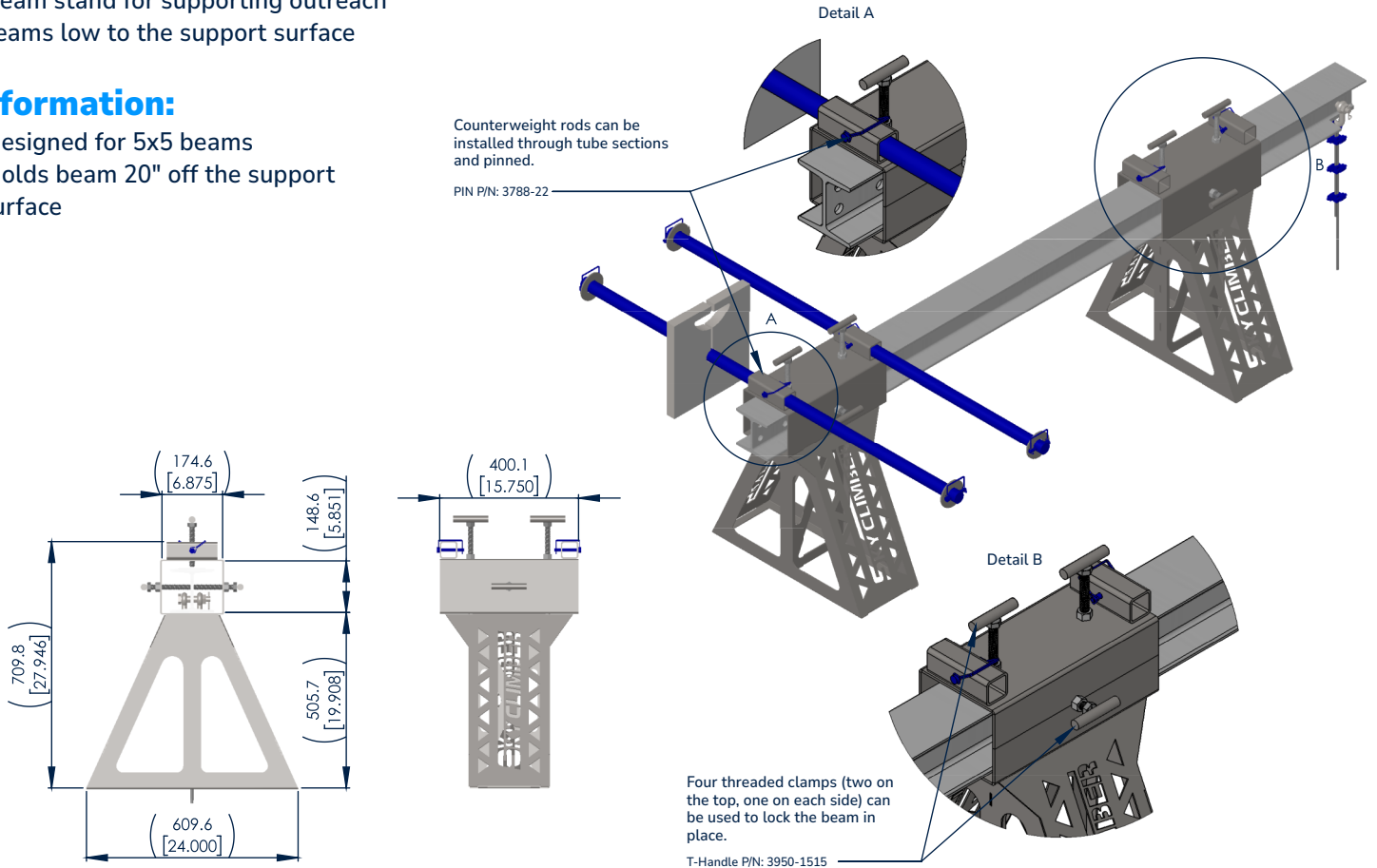
3950-1500-DATASHEET

Description

- Beam stand for supporting outreach beams low to the support surface

Information:

- Designed for 5x5 beams
- Holds beam 20" off the support surface



CAD generated drawing. do not manually update. First angle projection Scale 1:10

INFORMATION	3950-1500-DATASHEET
Dimensions	15.8"x24.0"x27.9" (WxDxH)
Material	Steel, galvanized
Weight	56.2 lbs

The information contained in this drawing is the sole property of Sky Climber. Any reproduction in part or whole without the written permission of Sky Climber is prohibited.

© 2026 Sky Climber, LLC. All rights reserved. Specifications subject to change without notice.