

LPKD 2.0

106-203-2.0-DATASHEET

Description

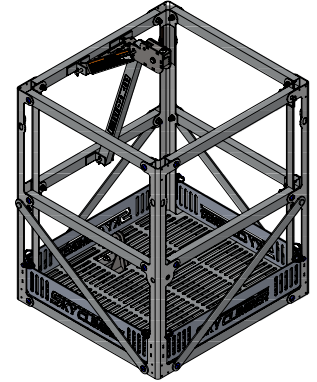
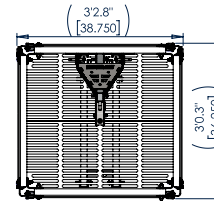
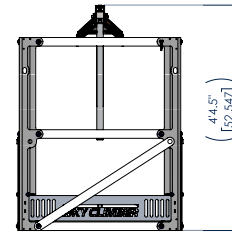
- Standalone work cage that does not require any additional stirrup (hoist not included). The LPKD 2.0 specializes in ease of transport with two convenient "knockdown" methods, both of which are completed solely by removing pins (no tools required).

Summary:

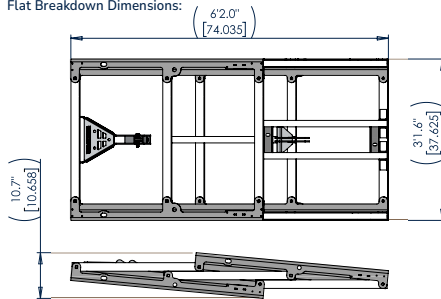
- Can be used with up to 1000 lbs rated hoist (single line). Safety factor 4:1.
- Remove 11 pins (total) to lay flat for transport.
- Remove 19 pins (total) for full breakdown; can fit through 15" round opening.

Additional Accessories Available:

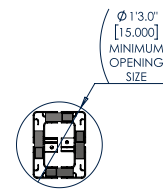
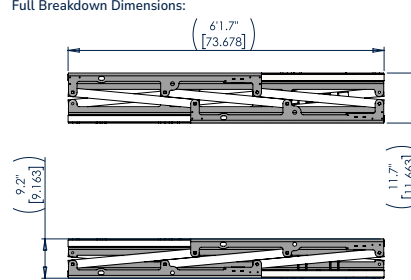
- Wall Rollers (P/N: 106-203-2.0-WR) - See separate spec sheet for details.



Flat Breakdown Dimensions:



Full Breakdown Dimensions:



CAD generated drawing.
do not manually update.

First angle projection



Scale

1:20

INFORMATION

106-203-2.0-DATASHEET

WLL

850 lbs

Dimensions

38.75"x36.25"x52.5" (WxDxH)

Sheave, Sheave Housing, and Hoist Connection Material

Carbon Steel

All Other Structure Material

Aluminum

Hardware Material

Carbon Steel, Stainless Steel

Certification

UL 1323 (ETL listed)

Weight

128 lbs

Sheave, Sheave Housing, and Hoist Connection Finish

Blue Powder Coat

All Other Structure Finish

None

Hardware Finish

Zinc, None

The information contained in this drawing is the sole property of Sky Climber. Any reproduction in part or whole without the written permission of Sky Climber is prohibited.

© 2026 Sky Climber, LLC. All rights reserved. Specifications subject to change without notice.