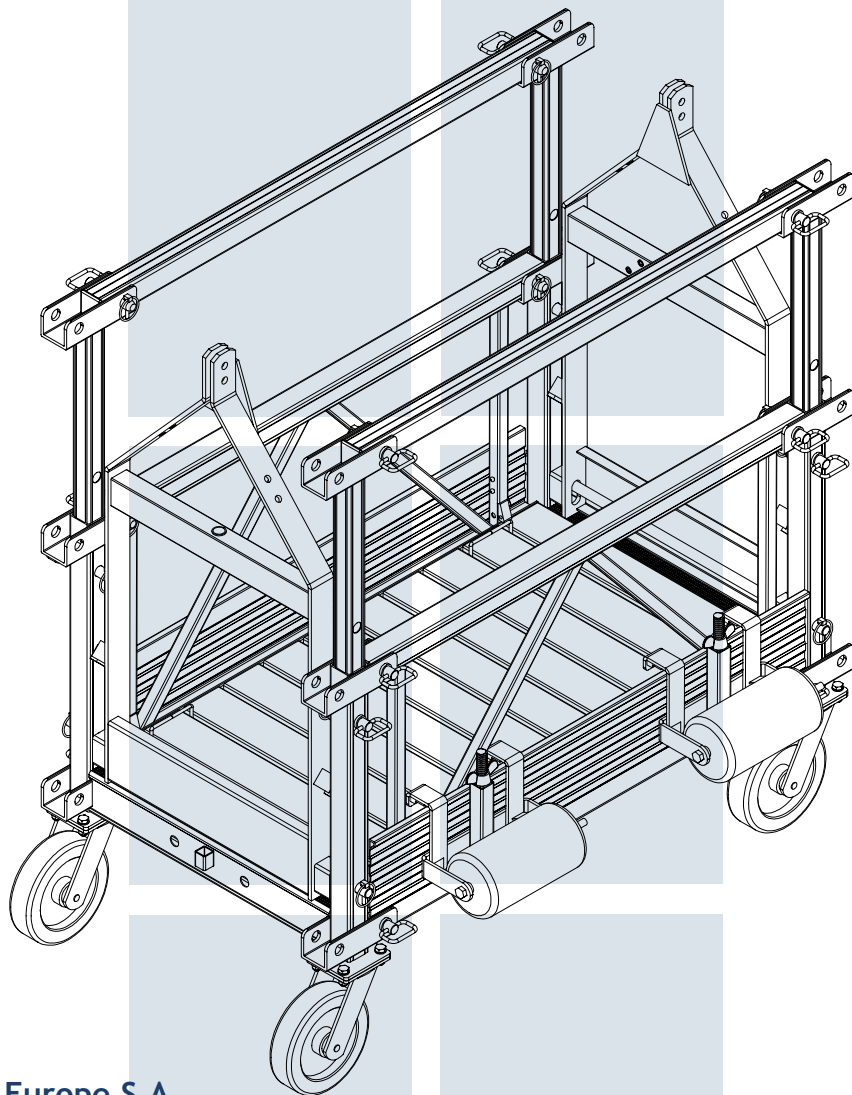


# SKY STAGE ULTRA



N.V. Sky Climber Europe S.A.  
Boomsesteenweg 14  
2630 Aartselaar  
Belgium  
Tel +32 (0)3 887 81 20  
Fax +32 (0)3 887 09 94  
info@skyclimber.be

[www.skyclimber.com](http://www.skyclimber.com)

Sky Climber Inc  
1501 Rock Mountain Blvd.  
Stone Mountain  
Georgia 30083, USA  
Tel +1 (770) 939-7705  
Fax +1 (770) 493-7392  
info@skyclimber.com



## FOREWORD

Welcome to Sky Climber®.

Congratulations on your new Sky Climber® product. All Sky Climber® products are designed and certified to the highest worldwide industry standards. Our continuous quality control ensures this product is manufactured to the relevant codes. Nonetheless, all of this work and effort can be and is nullified by improper use.

It is vitally important that you and each and every person who is to utilize the Sky Climber® product, take the time to learn the proper and safe methods relating to utilization of the Sky Climber® product. Safety begins with a familiarization with the functions and limitations of the Sky Climber® equipment. It is your responsibility to **READ AND UNDERSTAND** the contents of this manual. If you have any questions whatsoever, contact your dealer or Sky Climber® customer service. It is our desire and intention to provide answers to your question regarding the proper use of Sky Climber® products. Sky Climber® cannot and will not under any circumstances be responsible in any way for injuries or damage sustained as a result of misuse or misapplication of the product. Please consult your sales materials to determine other applicable limitations of liability.

Sky Climber®'s 'user manual' will guide you through installation and operation procedures.

Sky Climber® reserves the right to continually improve its products. Every effort has been made to make this manual as accurate as possible at the time of publication; however, there may be product changes which are not detailed in the manual. Please contact your dealer or Sky Climber® customer service on a regular basis to obtain follow up information and materials.

Each manual is also available as a PDF (portable document format). A PDF 'user manual' can be used to look up the correct spare part on a computer screen. With the use of the 'Contents', you can quickly jump to the correct page by clicking on the contents line or bookmark. You can recognize other links by blue markings.

We remind you to always wear personal fall protection equipment and to make sure that all persons utilizing the product are fully familiar with its features, including safety features and limitations, such as weight limitations.

© Sky Climber®, 2002

*All rights reserved. No part of this publication may be reproduced, stored in a retrieval system, or transmitted, in any form or by any means, electronic, mechanical, photocopying, recording, or otherwise, without the prior written permission of the publisher.*



# CONTENTS SKY STAGE ULTRA

- SKY STAGE ULTRA ..... 1
- FOREWORD ..... 2
- CONTENTS ..... 3
- Safety Guidelines ..... 4
  - Operator’s Safety ..... 4
  - Operation Safety ..... 4
  - Environment ..... 5
- Sky Stage Ultra® with End Stirrup configurations ..... 6
  - Overview ..... 6
  - Dimensions ..... 7
  - Transport & Handling Weights ..... 7
  - Standard Configurations & Assembly Parts ..... 8
  - Standard Configurations & Load Ratings per UL ..... 9
  - Work Cages ..... 10
  - Standard Configurations & Load Ratings per EN1808 ..... 11
- Installation Instructions ..... 12
  - Assemble platform ..... 12
  - Dis-assemble platform ..... 15
- Use - operation ..... 15
  - Wall-rollers ..... 15
  - Repositioning platform ..... 15
- Cantilevered Stage Assembly ..... 16
  - Assemble End Gate ..... 16
  - Assemble Walk Through ..... 16
- Multiple-Point Stages ..... 17
  - Straight-line configurations ..... 17
  - Angled configurations ..... 17
- Check Lists ..... 19
  - Inspection prior to installation ..... 19
  - Inspection after installation ..... 19
- Logbook ..... 20
  - Instruction to the owner ..... 20



## Safety Guidelines

### Operator's Safety

- All persons who service, install, dismantle or use suspended access equipment must fully comprehend and act in accordance with this manual and all appropriate regulations. A competent person is a designated person, suitably trained, qualified by knowledge and practical experience to carry out the required task safely. Training, manuals and other documentation are available at Sky Climber®. Do not hesitate to contact us for more details.
- Operators must be emotionally and physically able to withstand the stress of working at elevations. Do not work at elevations if subject to seizures or loss of physical control. Operators must be safety conscious, responsible and not under the influence of alcohol, drugs or other substances.
- All persons using suspended access systems must at all times wear safety harnesses attached by lanyards and rope grabs to independent lifelines. Use short lanyards

and attach the rope grabs as high on the lifeline as practically possible. Lifelines shall be fastened to a fixed anchorage other than the rigging systems. Do not disconnect or remove harnesses or lanyards until safely on the ground or until completely disembarked from suspension system to a safe location.

- Safety helmets should be worn at all times when servicing, (dis-) assembling or using the equipment.
- Provide protection for operators from collision with overhead obstacles and falling objects.
- Provide adequate protection below the suspended system to prevent injury to persons from falling objects. Keep all persons from beneath suspended platforms.
- Maintain contact with your supervisor at all times.
- Make a copy of this manual available to every person using, erecting and assembling this equipment.
- Never work alone on suspended access systems
- Do not over load the equipment

### Operation Safety

- All suspended access equipment must be handled with care: during handling of equipment, installation and use (place loads gently on platform).
- Inspect and test the equipment before use, rigging, re-rigging, after de-rigging and at regular intervals to make sure that it is maintained in a safe workable condition. The supervisor should assign a competent person for inspection purposes. In case of equipment failures or difficulties noticed during testing and inspection prior to use, contact your nearest Sky Climber® representative and do not use the equipment until it is repaired or replaced. Only use Sky Climber® spare parts. Do not alter any equipment. Maintenance may only be carried out by Sky Climber® representatives.
- Verify if all decals and nameplates are properly affixed and legible. If they are obscured or missing, replacements are available from Sky Climber®.
- Always verify if a platform is properly counter-weighted: check the rigging systems prior to each shift.
- Never load the platform above the indicated safe working load.
- In case of an emergency during operation press the red emergency stop button on the hoist or control unit. The platform will halt immediately (power is cut off, brakes are activated). Solve the problem first, prior to further use.
- Do not use hoists in conjunction with cableless control systems.

- Never use suspended access systems for transportation of passengers from one level to another.
- Keep the vertical travel zone of the platform free of obstructions. When running into an obstruction immediately stop the platform. Inspect the platform and the obstruction for possible damage and/or hang-up. Proceed in a safe direction. Take care not to overload the system or get in slack rope situations when running into an obstacle.
- Beware of obstacles when there is too small of a clearance between platform and façade. Use long-handled tools when working at large distances between platform and façade.
- Do not handle suspended loads in conjunction with suspended platforms.
- When leaving a suspended platform (in mid-air) first secure the platform to the face of the structure in order to keep it from moving away. Do not forget to disconnect the platform from the structure before lifting or raising, otherwise serious injuries and/or damage can occur.
- Hazardous situations occur when it is not possible to lower platform to a safe position, ex. over water and public roads.
- Never alter equipment once the platform is suspended. Keep all equipment out of reach of unauthorized persons.
- Rejected equipment must be destroyed prior to disposal so that it can not be misused, reused, or otherwise returned to service.



## Environment

Consider and control the specific risks related to certain environments and nature of the job. Increase inspection accordingly.

Group	Category	Condition	Temp.	Applications	Inspection
1	-	Normal	> 0°C/32 F	Inspections, light maintenance, window washing.	Prior to each workshift.
2	A	Contaminated	> 0°C/32 F	Abrasive materials: sand, grit, dust, welding.	Prior to each workshift. Every 3 hours.
	B	Contaminated	> 0°C/32 F	Caustic materials: corrosive chemicals, salty environment, acids or fumes.	
	C	Contaminated	> 0°C/32 F	Adhesive materials: cement, plaster, paint, caulking, compound.	
3	-	Freezing	≤ 0°C/32 F	All	Prior to each workshift. Every hour.

### Hazards

- Do not use suspended access equipment in severe conditions: extreme environmental conditions, corrosive environment, strong magnetic fields, explosive atmospheres.
- Do not use suspended access equipment when handling loads could lead to dangerous situations: molten metal, acids/bases, radioactive materials, brittle loads.

### Wind Speeds

- Use adequate restraints when lifting height exceeds 40m (131') with wind speeds above 50km/h = 14m/s (31mph).
- Do not use suspended access equipment when hazards could arise from wind pressure acting on loads having a surface area in excess of 2m<sup>2</sup> (21.5 SQFT).

- With the occurrence of high winds the platform should either be lowered to the ground or raised to the roof top and secured.
- Do not use suspended access equipment when wind speed exceeds 50km/hour

### High voltage power-lines

- Refer to regulations, federal, state and local codes when working in the vicinity of electrical overhead power-lines. Consult the local power company for safe operating procedures.
- The minimum separation between live power lines and platform is 3m (10').
- Touching live power-lines may result in death or serious injury.

## Group 2A

### Welding

During welding, the electrocution hazard and the risk of the welding current passing through the steel wire ropes shall be eliminated by taking the following precautions:

- Use insulated thimbles at each suspension point. Insulate surplus steel wire rope stored on roof to prevent grounding or, terminate steel wire rope at insulated thimble.
- Cover steel wire rope above hoist and Sky Lock for a distance of ± 1.2m (4') with insulating material: rubber hose taped in place. Insulate tail line below hoist: extend downward sufficiently to prevent contact with platform. The portion of tail line hanging free below platform must

- be guided and/or retained so that it does not become grounded.
- Cover each hoist, Sky Lock and wire winder with protective covers made out of insulating material.
- Connect a ground conductor from platform to work piece. The size of this conductor shall be equal to or greater than the size of the stinger lead. It must be a secondary conductor and shall not be in series with the primary conductor between welder and work piece.

## Group 2B

### Marine environment

Salty environments may deteriorate aluminum & steel components. Frequently inspect equipment.

### Excess material accumulation

Make sure that excess material does not clutter up the hoist, Sky Lock or platform.

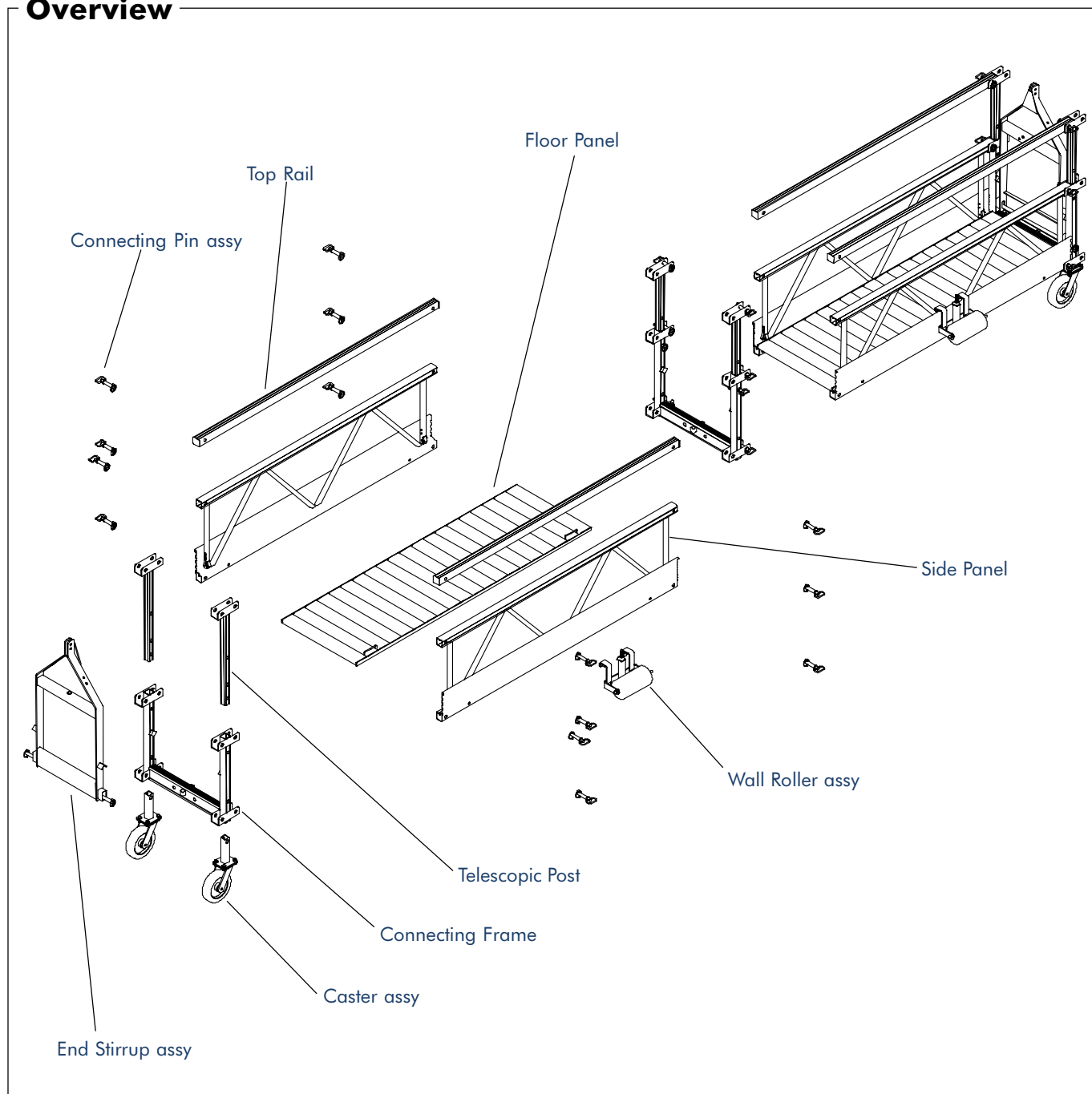


## Sky Stage Ultra® with End Stirrup configurations

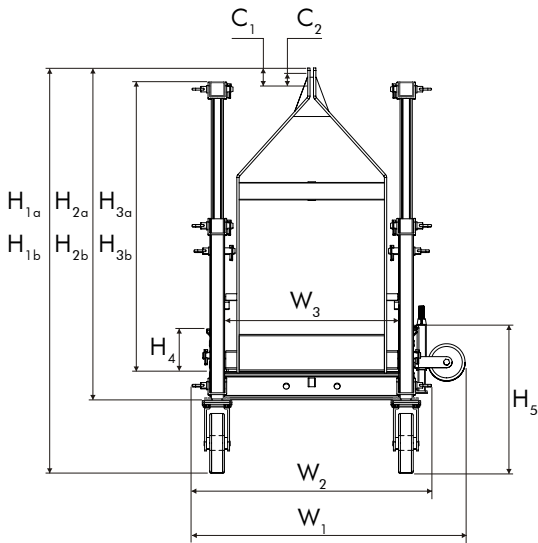
Sky Stage Ultra® is a modular work platform. All components are welded out of high quality aluminum. The platform length can vary between 2m and 15m assembled from 1m, 1.5m, 2m and 3m sections. A section consists of 2 side panels, a floor panel and 2 top rails.

A rigid structure is formed by attaching sections to connecting frames with connecting pins. Top rails are telescopic on both sides of the stage. The standard configurations are further described.

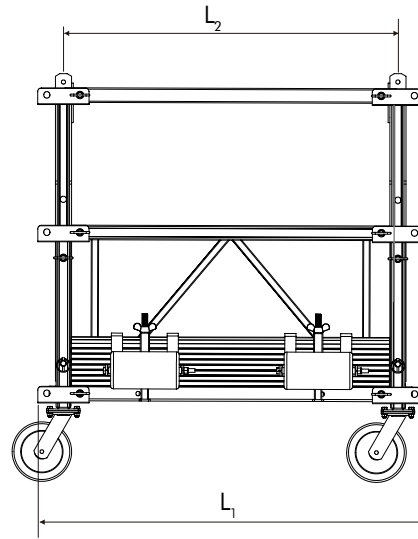
### Overview



## Dimensions



Sky Stage Ultra® with End Stirrup: side view.



Sky Stage Ultra® with End Stirrups: front view.

Item	Dimension		Description	Platform length	Total length (L <sub>1</sub> )		Suspension dist. (L <sub>2</sub> )	
	Metric	Inches			Metric	Ft/Inch.	Metric	Ft/Inch.
H <sub>1a</sub>	1.40 m	54 .8"	Max. height: platform on surface	2 m	2.23 m	7' 3"	2.06 m	6' 9"
H <sub>1b</sub>	1.43 m	56 .2"	Max. height: suspended platform	3 m	3.15 m	10' 4"	2.98 m	9' 9"
H <sub>2a</sub>	1.14 m	44 .8"	Idem H <sub>1a</sub> but without casters	4 m	4.29 m	14' 0"	4.12 m	13' 6"
H <sub>2b</sub>	1.18 m	46 .2"	Idem H <sub>1b</sub> but without casters	5 m	5.21 m	17' 1"	5.04 m	16' 6"
H <sub>3a</sub>	1.00 m	39 .4"	Top Rail height from floor panel	6 m	6.13 m	20' 1"	5.95 m	19' 6"
H <sub>3b</sub>	1.10 m	43 .3"	Idem H <sub>3a</sub> : second option	7 m	7.27 m	23' 10"	7.09 m	23' 3"
H <sub>4</sub>	0.15 m	5 .9"	Toeboard height	8 m	8.19 m	26' 10"	8.01 m	26' 3"
H <sub>5</sub>	0.50 m	19 .5"	Stepping height	9 m	9.11 m	29' 10"	8.93 m	29' 3"
W <sub>1</sub>	0.94 m	37 .0"	Max. outside width with wall roller	10 m	10.25 m	33' 7"	10.07 m	33' 0"
W <sub>2</sub>	0.83 m	32 .5"	Max. outside width with safety pins	11 m	11.16 m	36' 7"	10.99 m	36' 0"
W <sub>3</sub>	0.60 m	23 .6"	Inside width: passage	12 m	12.08 m	39' 7"	11.91 m	39' 0"
C <sub>1</sub>	60.00 mm	2 .362"	Position: hoist attachment	13 m	13.22 m	43' 4"	13.05 m	42' 9"
C <sub>2</sub>	31.50 mm	1 .240"	Position: hoist attachment	14 m	14.14 m	46' 4"	13.97 m	45' 9"
				15 m	15.06 m	49' 4"	14.89 m	48' 9"

- Platform length dimensions are only valid if standard configurations are used (see 'Configurations & Assembly Parts').
- Caster wheel swings 9cm (3.5") outside total length of platform (L<sub>1</sub>).

## Transport & Handling Weights

Platform Parts	Options	Self-weight	
		kg	lbs
Side Panel	1 m	6.4	14
	1.5 m	9.1	20
	2 m	11.8	26
Top Rail	3 m	16.8	37
	1 m	1.4	3
	1.5 m	1.8	4
Floor panel	2 m	2.3	5
	3 m	3.2	7
	1 m	6.8	15
	1.5 m	9.5	21
	2 m	12.2	27
	3 m	16.8	37

Platform Parts	Self-weight	
	kg	lbs
End Stirrup assy	14.5	32
Connecting Frame	4.5	10
Telescopic Post	0.9	2
Connecting pin assy	0.3	0.75
Caster assy	4.1	9
Wall Roller assy	4.5	10

- Handle all parts with care: do not drop or throw parts.
- Inspect parts prior to installation and use (see also 'Inspection Check Lists').



## Standard Configurations & Assembly Parts

The following table can be used as check list when preparing standard configuration for transport.



Conformance to the rated load capacities & configurations as shown in these tables is critical to the safe use of Sky Stage Ultra. Use of other configurations or greater weights could result in serious injury.

Platform length														
	End Stirrup	Rod	Locking Clip	Connecting Frame	Telescopic Post	Connecting Pin assy	2m	3m	2m	3m	2m	3m	Caster assy	Wall Roller assy
2m	2	2	4	2	4	16	2	0	2	0	1	0	4	2
3m	2	2	4	2	4	16	0	2	0	2	0	1	4	2
4m	2	2	4	3	6	30	4	0	4	0	2	0	4	2
5m	2	2	4	3	6	30	2	2	2	2	1	1	4	2
6m	2	2	4	3	6	30	0	4	0	4	0	2	4	2
7m	2	2	4	4	8	44	4	2	4	2	2	1	4	2
8m	2	2	4	4	8	44	2	4	2	4	1	2	4	2
9m	2	2	4	4	8	44	6	0	6	0	3	0	4	2
10m	2	2	4	5	10	58	4	4	4	4	2	2	4	2
11m	2	2	4	5	10	58	2	6	2	6	1	3	4	2
12m	2	2	4	5	10	58	0	8	0	8	0	4	4	2
13m	2	2	4	6	12	72	4	6	4	6	2	3	4	2
14m	2	2	4	6	12	72	2	8	2	8	1	4	4	2
15m	2	2	4	6	12	72	0	10	0	10	0	5	4	2

- 1m & 1.5m sections are also available, providing additional versatility in platform length.
- Contact your Sky Climber® representative for the other configurations.

Note: Platform sections may not be used in configurations and lengths other than those shown in these tables. Contact Sky Climber® Engineering to discuss any variations.





## Standard Configurations & Load Ratings per UL

### Safe Working Load

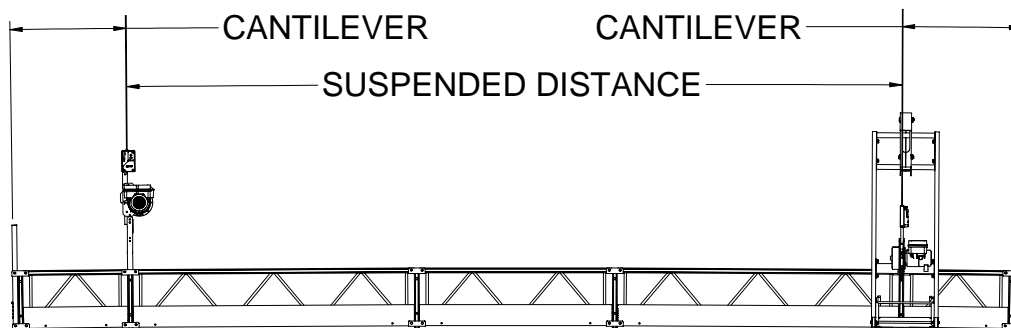
1. Determine working load limit (WLL) of hoist.
  2. Add WLL's of hoists used.
  3. Compare total WLL of hoists less the selfweight of platform with load rating (LR) of platform.
  4. Use lowest value as the Safe Working Load (SWL).
- Do not concentrate all loads but equally distribute over total length of platform.
  - If loads are concentrated on one half of a platform then the SWL equals the WLL of 1 hoist less half the self-weight of the platform (never exceed floor rating).
  - The load on the floor panels must not exceed the floor rating: maximum 180kg per meter platform or 120lbs per foot platform.

Configurations for stages with End Stirrups (two point suspension systems) per UL1322.

Platform Length	Configurations	Suspension Distance	Self-weight		Load Rating	
			lbs	kg	lbs	kg
2m	2	6' 9"	113	249	900	2000
3m	3	9' 9"	129	285	900	2000
4m	2+2	13' 6"	164	363	900	2000
5m	2+3	16' 6"	181	399	900	2000
6m	3+3	19' 6"	197	435	900	2000
7m	2+3+2	23' 3"	232	512	680	1500
8m	3+2+3	26' 3"	249	548	680	1500
9m	3+3+3	29' 3"	265	584	450	1000
10m	2+3+3+2	33' 0"	300	662	450	1000
11m	2+3+3+3	36' 0"	316	698	450	1000
12m	3+3+3+3	39' 0"	333	734	450	1000
13m	2+3+3+3+2	42' 9"	368	811	340	750
14m	3+2+3+3+3	45' 9"	384	847	340	750
15m	3+3+3+3+3	48' 9"	401	883	340	750

Conformance to the rated load capacities & configurations as shown in these tables is critical to the safe use of Sky Stage Ultra. Use of other configurations or greater weights could result in serious injury.

Note: Platform sections may not be used in configurations and lengths other than those shown in these tables. Contact Sky Climber® Engineering to discuss any variations.



Note: Connecting frame is never to be placed outside intermediate stirrup

Cantilever Suspended Distance	0 - 1m		1 - 1,5m		1,5 - 2m		2 - 3m	
	Total Stage Rating(lbs)	Cantilever Rating(lbs)	Total Stage Rating(lbs)	Cantilever Rating(lbs)	Total Stage Rating(lbs)	Cantilever Rating(lbs)	Total Stage Rating(lbs)	Cantilever Rating(lbs)
5 - 6m	2000	500	-	-	-	-	-	-
6 - 7m	1500	500	-	-	-	-	-	-
7 - 8m	1500	500	1500	500	-	-	-	-
8 - 9m	1000	500	1000	500	-	-	1000	250
9 - 12m	1000	500	1000	500	1000	500	1000	250
12 - 15m	750	500	750	500	750	500	750	250

Note: Connecting frame is never to be placed outside intermediate stirrup.  
Cantilever distance is the distance from the suspension point to the end of the stage, not the distance from a part of the intermediate stirrup to the end of stage

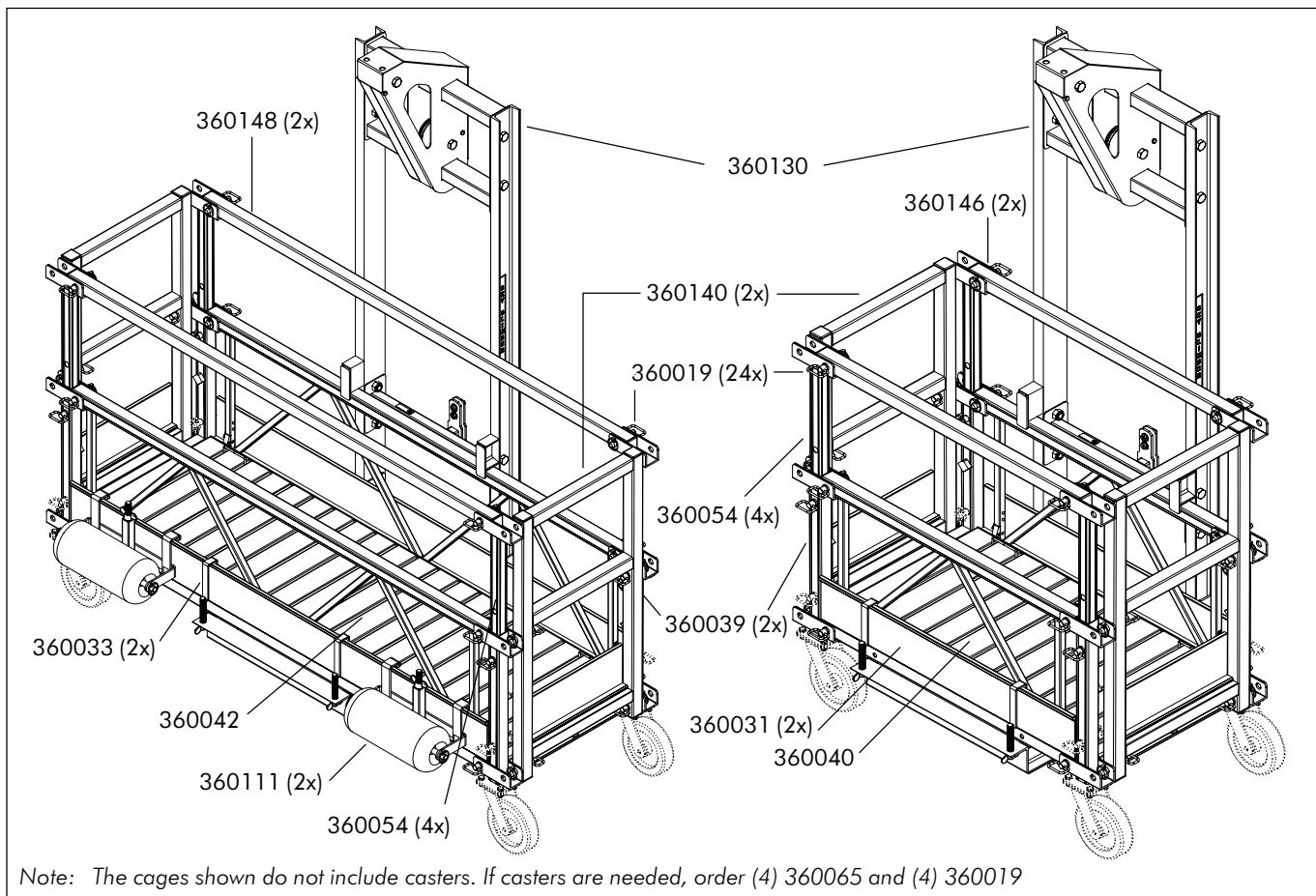


## Work Cages

Standard Sky Stage Ultra components may be assembled into a workcage configuration. Workcages utilize only one suspension point, limiting the amount of equipment required.

Workcages may be configured using 1m or 2m components per the detail below. Maximum stage ratings of 500lbs per end (1000lbs total) are permitted.

For further detail or variations, contact Sky Climber.



- **2m Workcage**
- 360019 Lock pin
- 360033 2m Side panel
- 360039 Connecting frame
- 360042 2m Floor
- 360054 Telescopic post
- 360111 Wall roller
- 360130 Walk Thru stirrup
- 360140 End gate
- 360148 2m top rail

- **1m Workcage**
- 360019 Lock pin
- 360031 1m Side panel
- 360039 Connecting frame
- 360040 1m Floor
- 360054 Telescopic post
- 360130 Walk Thru stirrup
- 360140 End gate
- 360146 1m Top rail



## Standard Configurations & Load Ratings per EN1808

### Safe Working Load

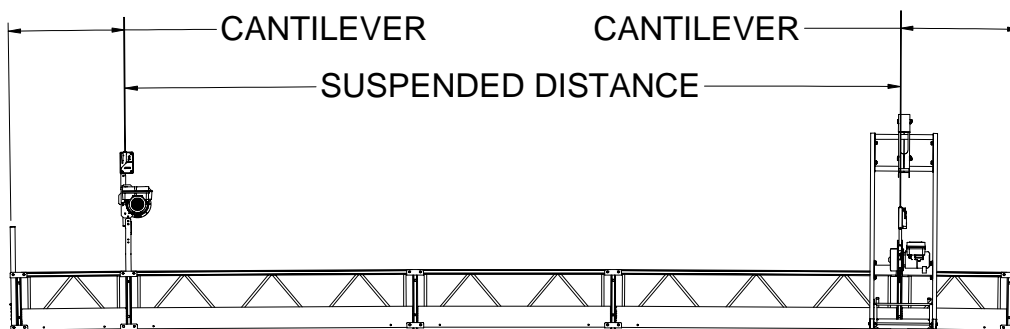
1. Determine working load limit (WLL) of hoist.
  2. Add WLL's of hoists used.
  3. Compare total WLL of hoists less the selfweight of platform with load rating (LR) of platform.
  4. Use lowest value as the Safe Working Load (SWL).
- Do not concentrate all loads but equally distribute over total length of platform.
  - If loads are concentrated on one half of a platform then the SWL equals the WLL of 1 hoist less half the self-weight of the platform (never exceed floor rating).
  - The load on the floor panels must not exceed the floor rating: maximum 180kg per meter platform or 120lbs per foot platform.

Configurations for stages with End Stirrups (two point suspension systems) per EN1808.

Platform Length	Configurations	Suspension Distance	Self-weight		Load Rating	
			lbs	kg	lbs	kg
2m	2	6' 9"	113	249	360	795
3m	3	9' 9"	129	285	540	1190
4m	2+2	13' 6"	164	363	720	1585
5m	2+3	16' 6"	181	399	900	1985
6m	3+3	19' 6"	197	435	1080	2380
7m	2+3+2	23' 3"	232	512	1080	2380
8m	3+2+3	26' 3"	249	548	1080	2380
9m	3+3+3	29' 3"	265	584	1080	2380
10m	2+3+3+2	33' 0"	300	662	920	2028
11m	2+3+3+3	36' 0"	316	698	750	1650
12m	3+3+3+3	39' 0"	333	734	680	1500

Conformance to the rated load capacities & configurations as shown in these tables is critical to the safe use of Sky Stage Ultra. Use of other configurations or greater weights could result in serious injury.

Note: Platform sections may not be used in configurations and lengths other than those shown in these tables. Contact Sky Climber® Engineering to discuss any variations.



Connecting frame is never to be placed outside intermediate stirrup

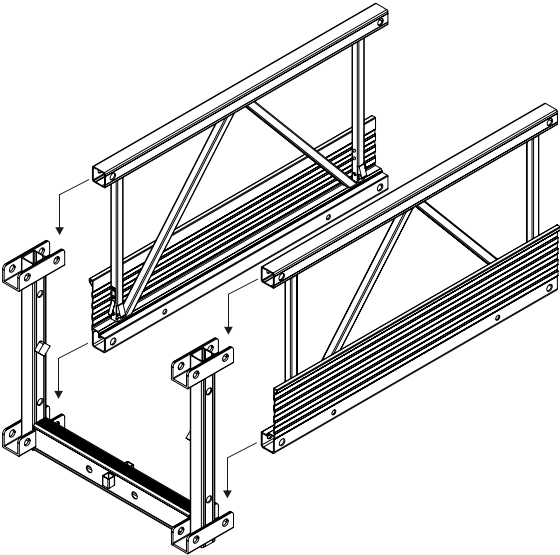
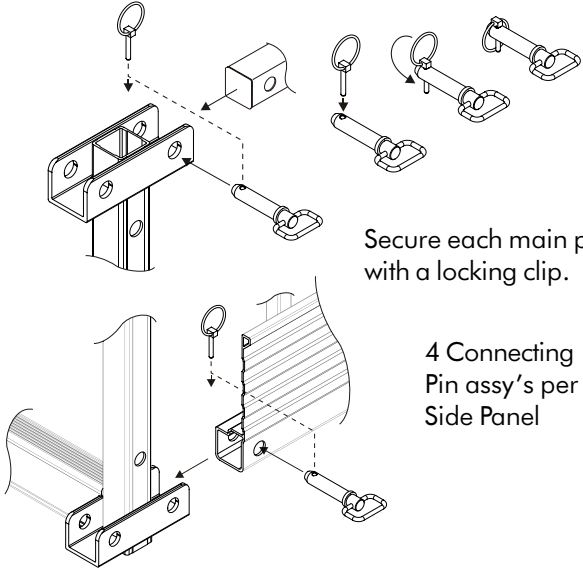
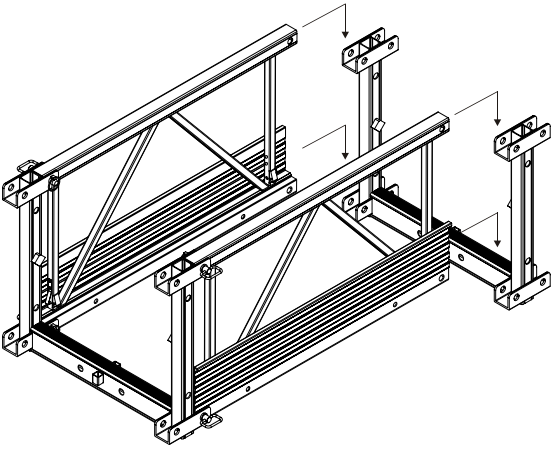
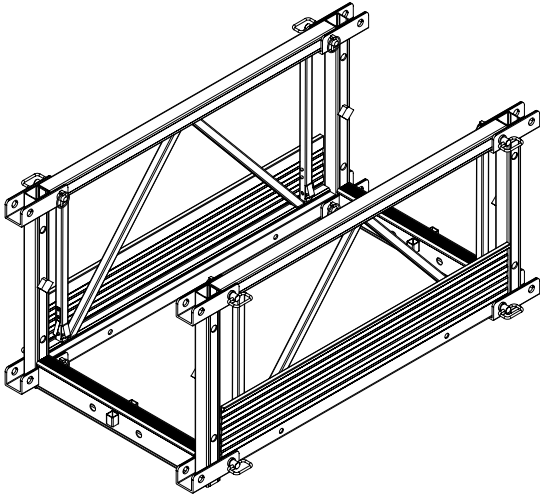
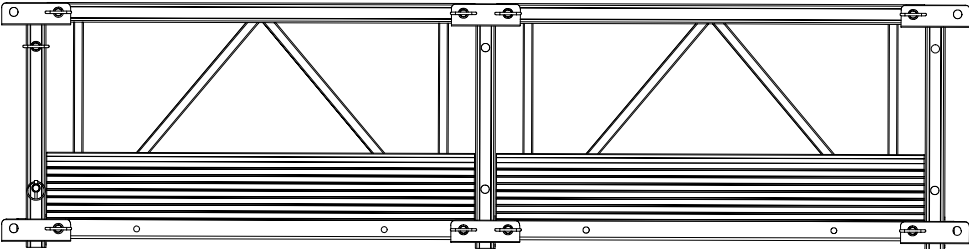
Cantilever Suspended Distance	0 - 1m		1 - 1,5m		1,5 - 2m		2 - 3m	
	Total Stage Rating(lbs)	Cantilever Rating(lbs)	Total Stage Rating(lbs)	Cantilever Rating(lbs)	Total Stage Rating(lbs)	Cantilever Rating(lbs)	Total Stage Rating(lbs)	Cantilever Rating(lbs)
5 - 6m								
6 - 7m								
7 - 8m								
8 - 9m			COMING	SOON				
9 - 12m								
12 - 15m								

Note: Connecting frame is never to be placed outside intermediate stirrup.  
Cantilever distance is the distance from the suspension point to the end of the stage, not the distance from a part of the intermediate stirrup to the end of stage

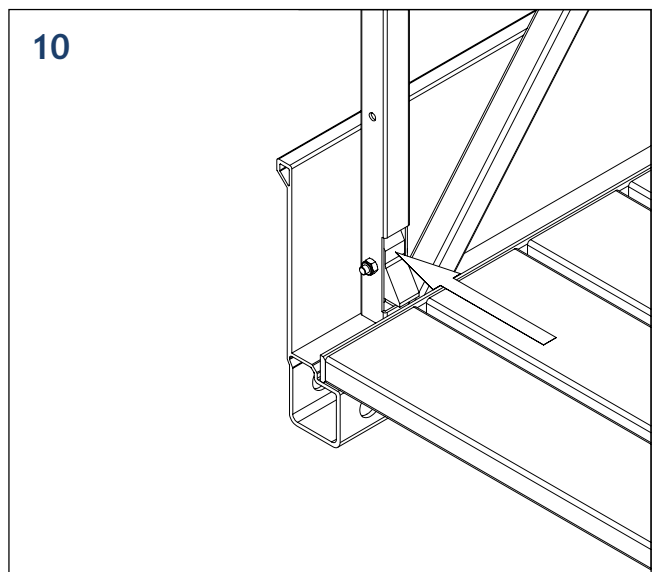
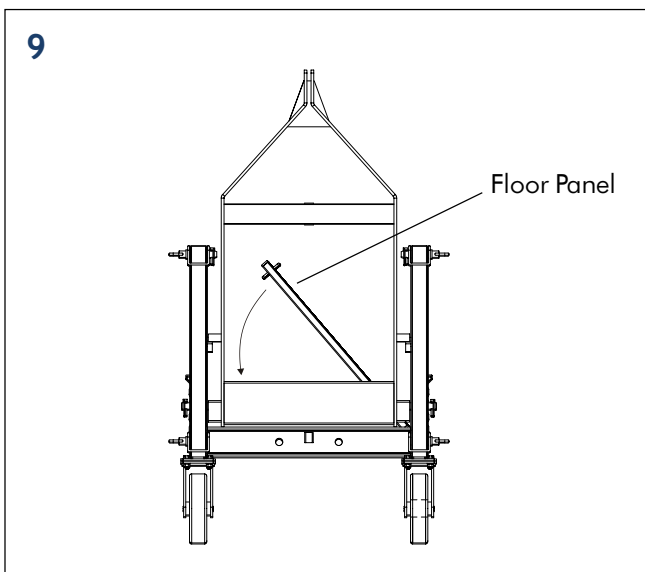
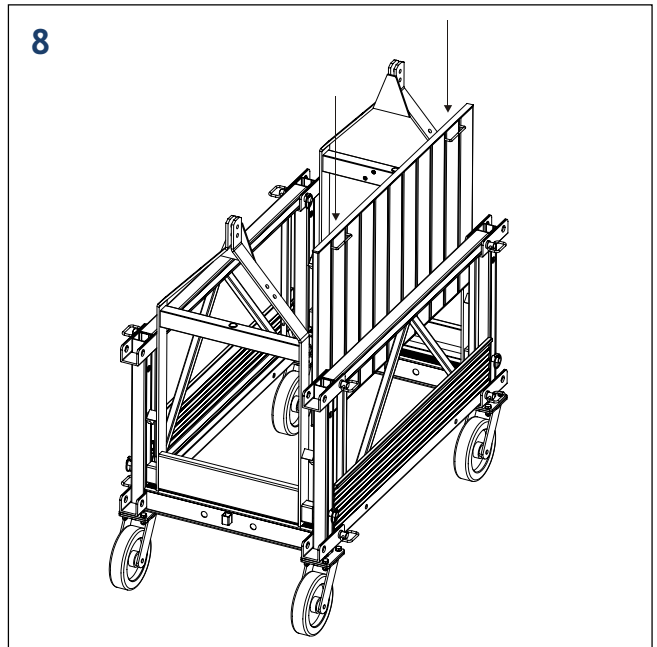
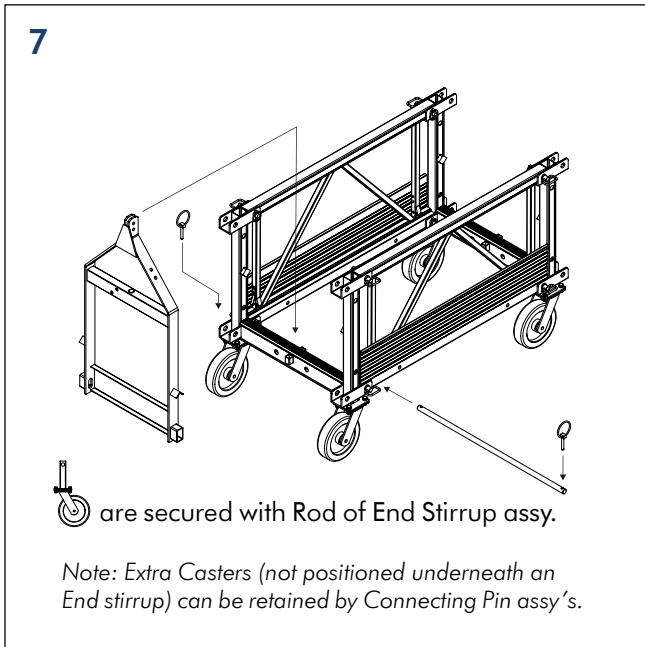
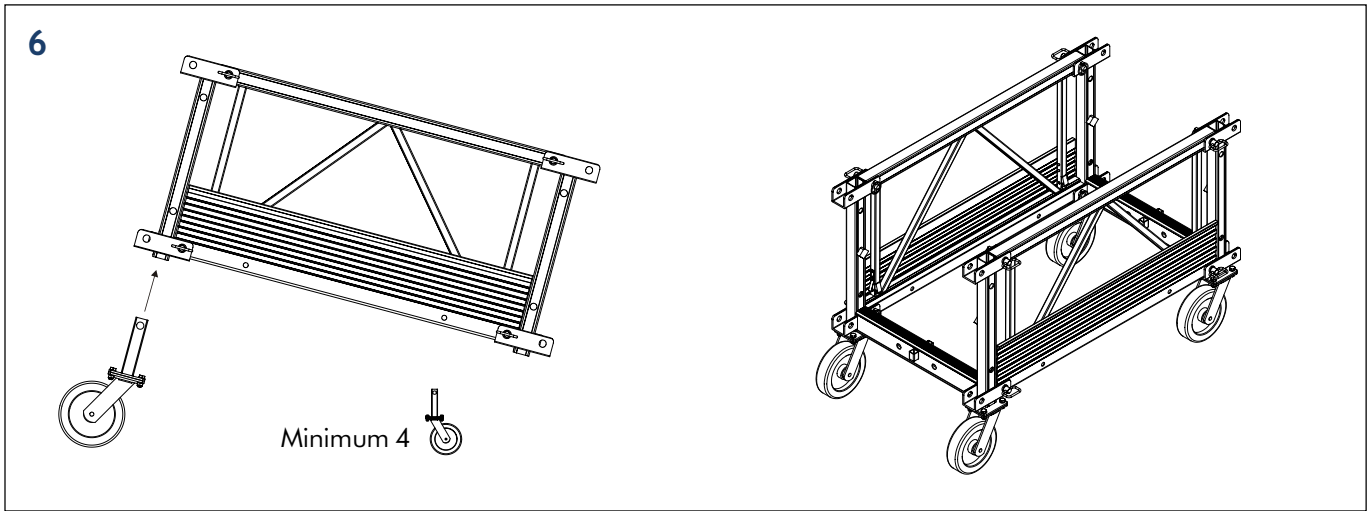


## Installation Instructions

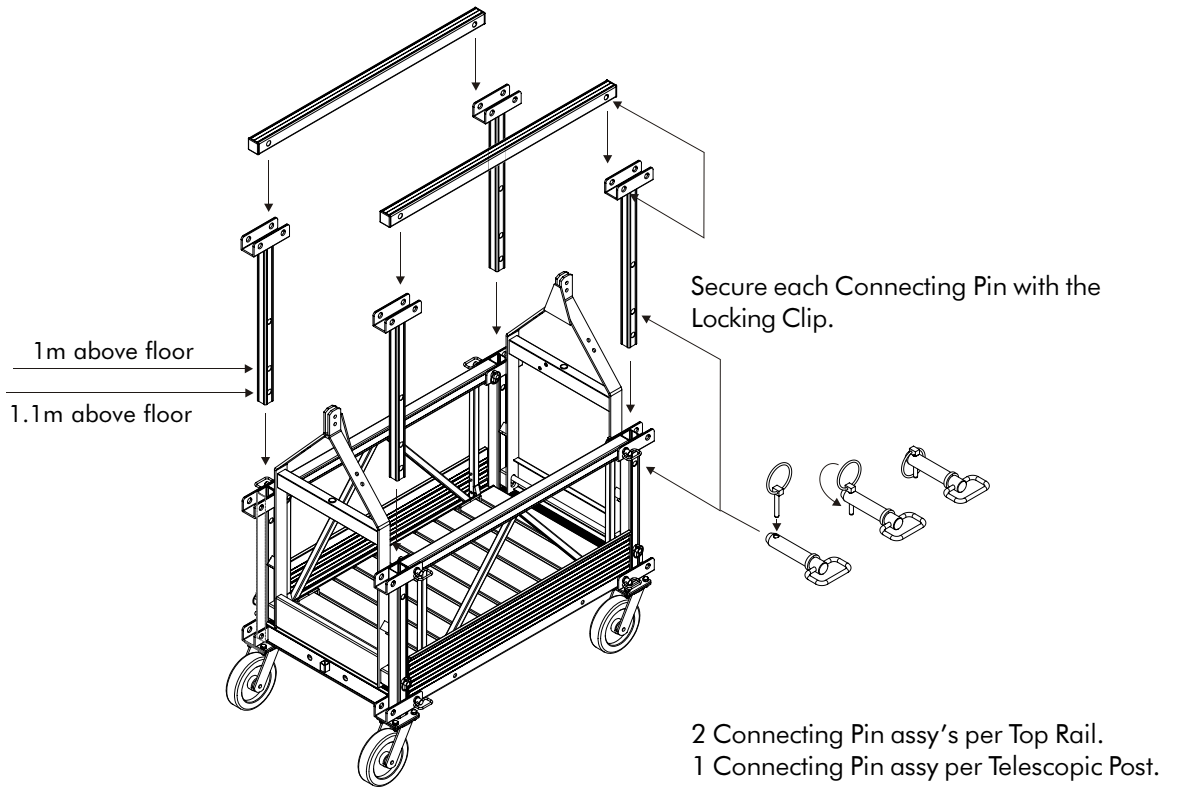
### Assemble platform

<p><b>1</b></p> 	<p><b>2</b></p>  <p>Secure each main pin with a locking clip.</p> <p>4 Connecting Pin assy's per Side Panel</p>
<p><b>3</b></p> 	<p><b>4</b></p> 
<p><b>5</b></p>  <ul style="list-style-type: none"> <li>• Repeat step 1-4 for longer configuration.</li> <li>• To assemble multiple sections with ease: place end of platform on blocks.</li> </ul>	

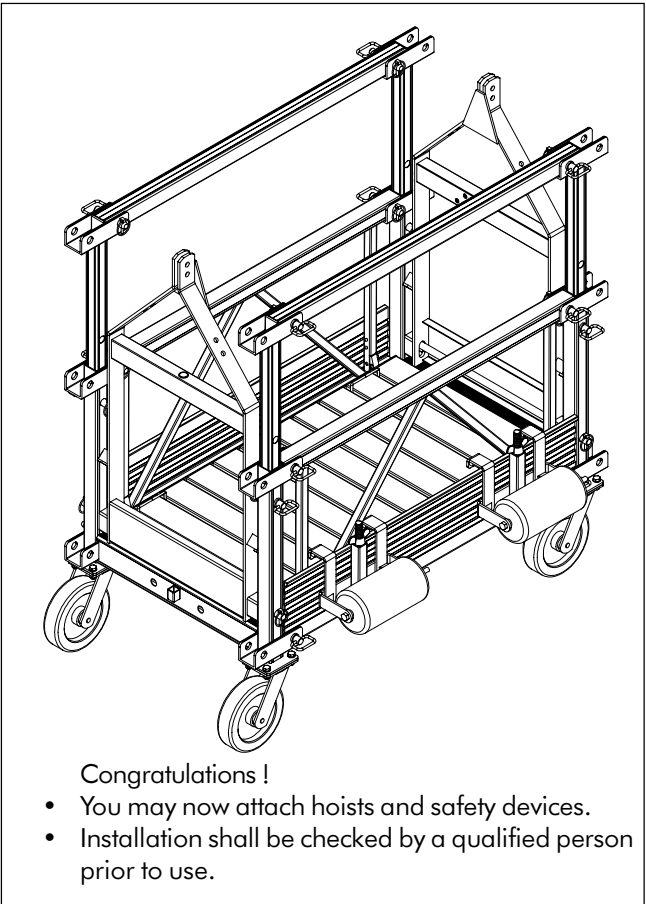
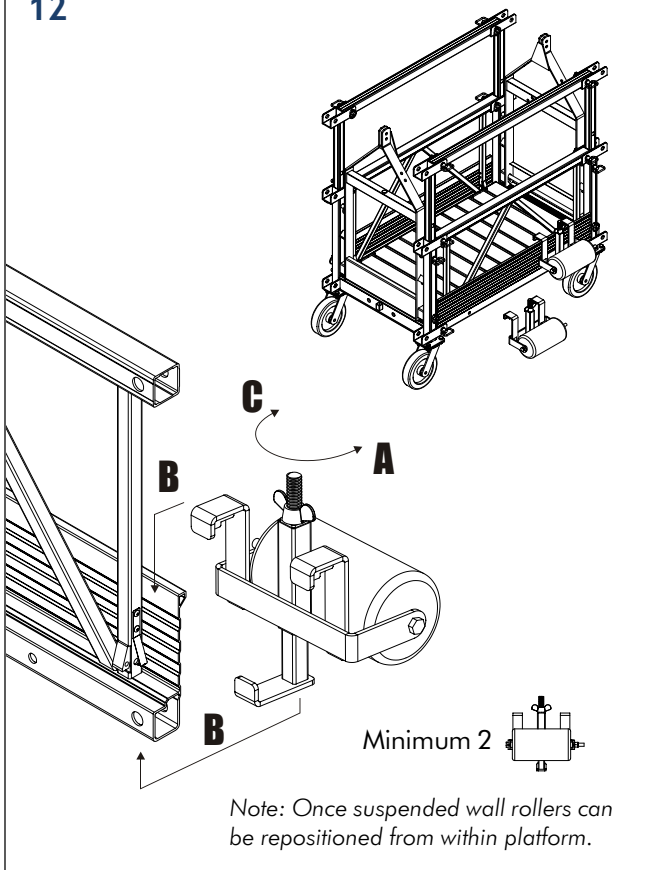




11



12

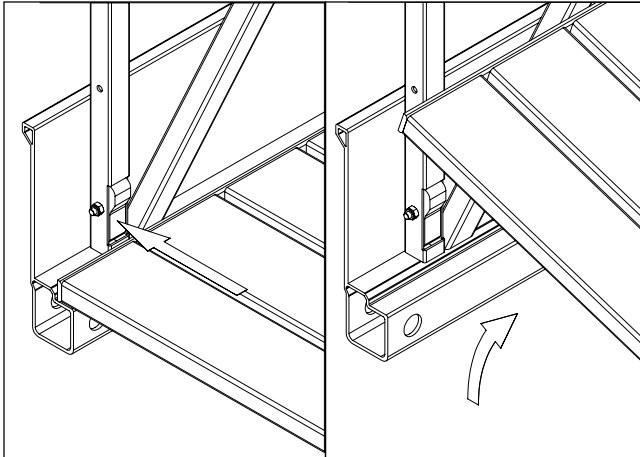


## Dis-assemble platform

Reverse 'assembling procedure' to dis-assemble platform.

### Floor Panels

Make sure that the floor retainer blocks are inserted into the side panel prior to lifting the floor panel.



## Use - operation

### Wall-rollers

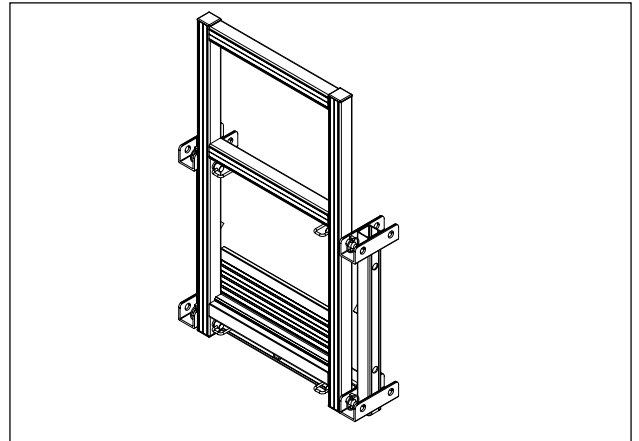
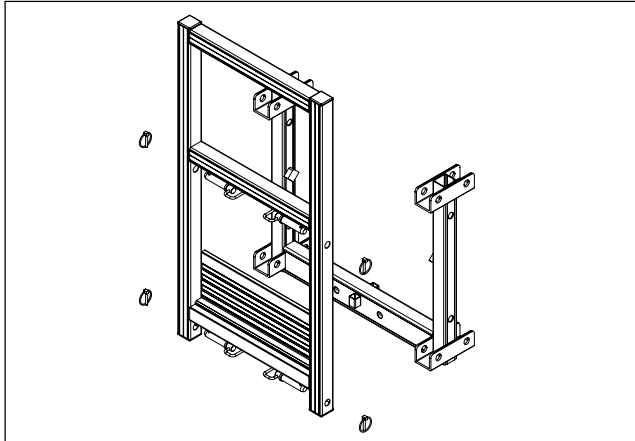
Once suspended wall rollers can be repositioned from within platform.

### Repositioning platform

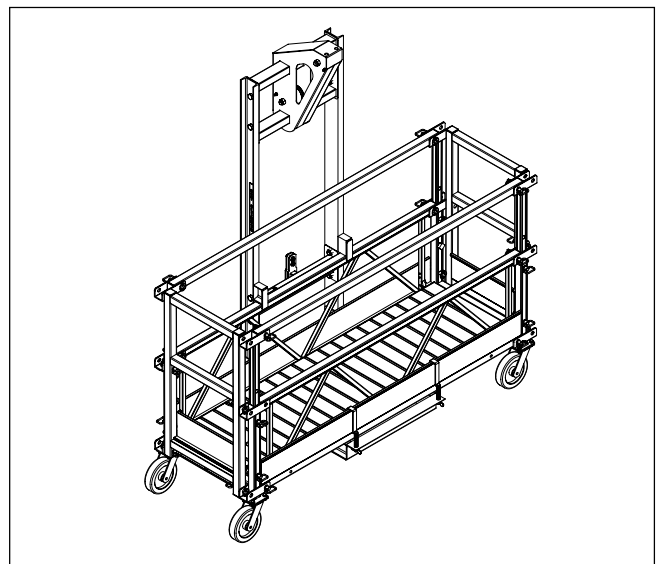
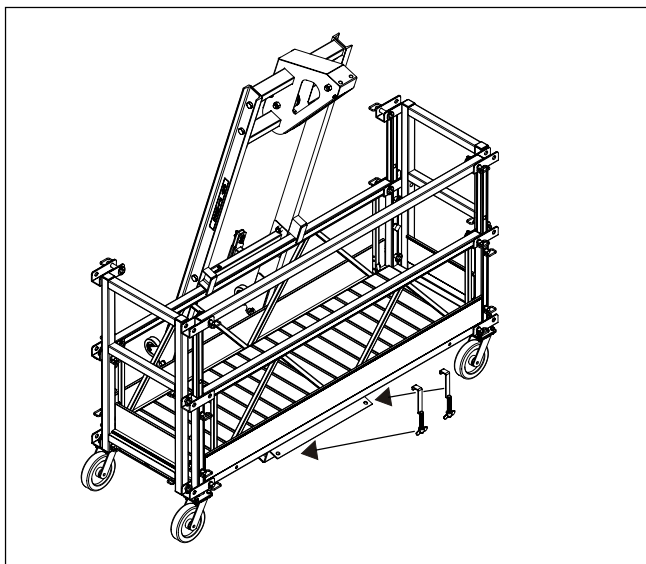
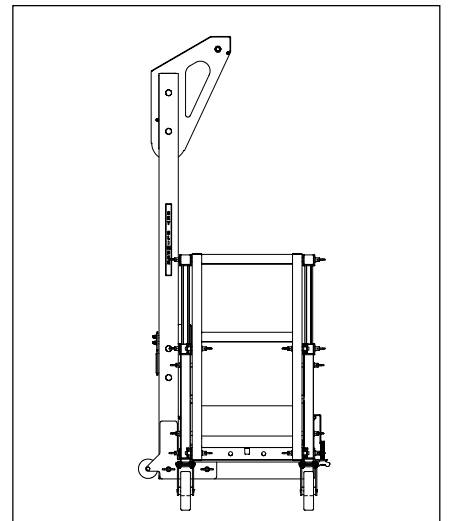
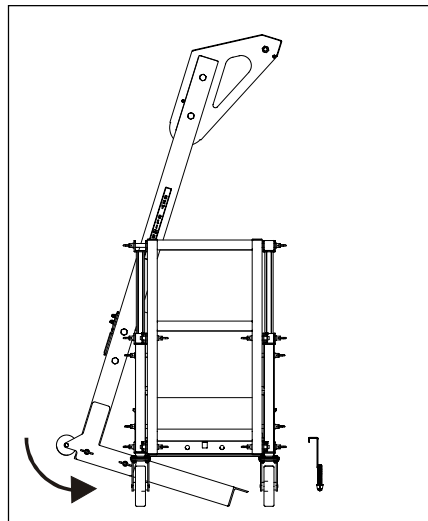
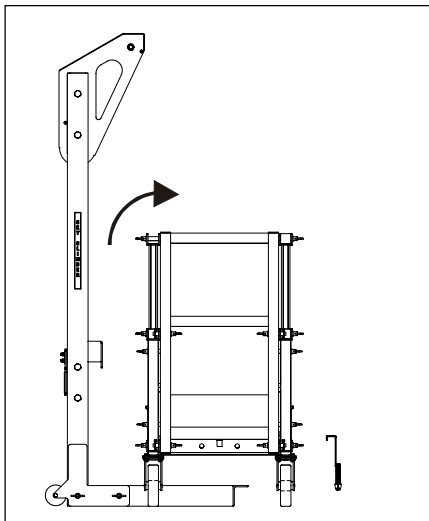
1. Remove all load from platform: material and persons.
2. Dereeve hoists.
3. Reposition platform underneath new position of rigging system.
4. Reeve hoists.
5. Inspect installation prior to use.

## Cantilevered Stage Assembly

### Assemble End Gate



### Assemble Walk Through



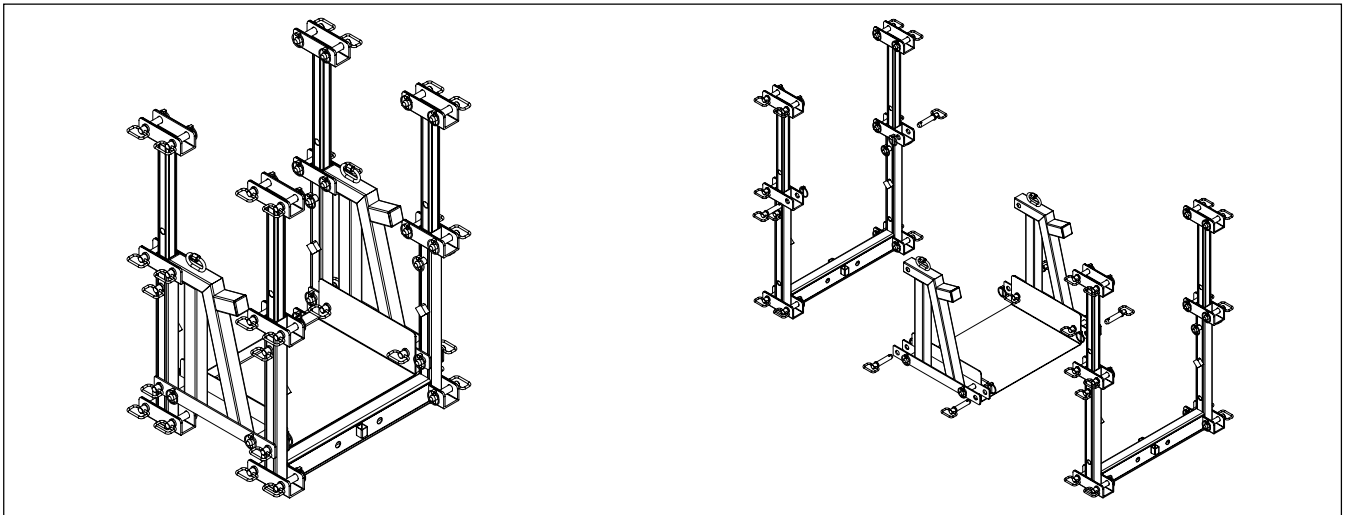


## Multiple-Point Stages

### Straight-line configurations

Sky Stage Ultra may be used in configurations utilizing more than two hoists in a straight line when used in conjunction with a Horizontal Hinge. The Horizontal Hinge must always be placed near a central hoist mounted on an intermediate stirrup. For any specific applications, please call Sky Climber Technical Support for a detailed configuration including the applicable load rating.

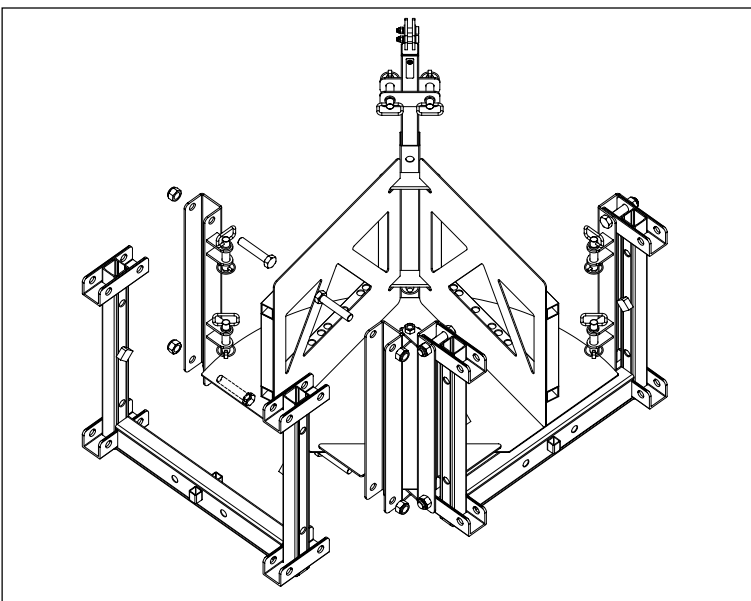
#### Typical Hinge Assy



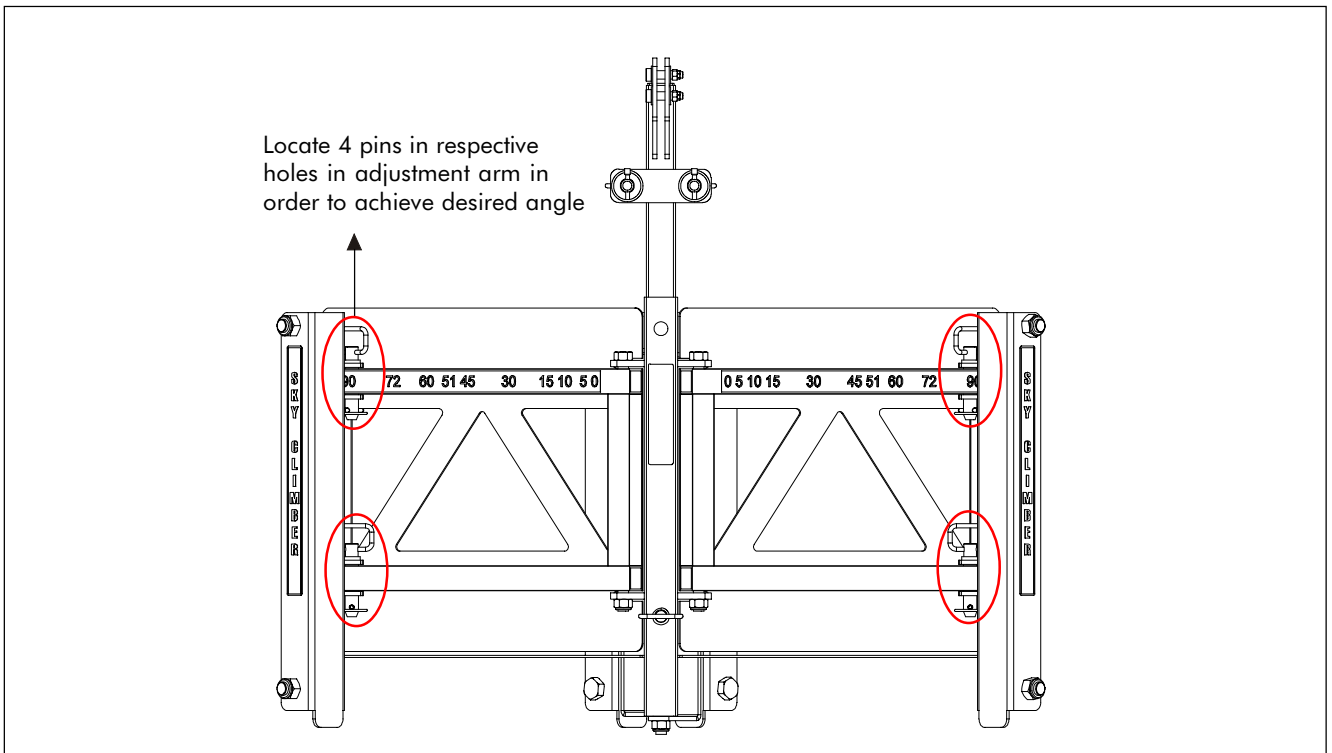
### Angled configurations

Sky Stage Ultra may be used in configurations requiring angles to access odd-shaped walls such as around corners, balconies, towers, etc. The adjustable corner allows for angles of 0, 5, 10, 15, 30, 45, 51, 60, 72 and 90 degrees. It also includes a convenient hoist mounting location, rated for hoists up to 1250lb. For any specific applications, please call Sky Climber Technical Support for a detailed configuration including the applicable load rating.

#### Typical Corner Assy



## Changing Angles on Adjustable Corner



## Check Lists

### Inspection prior to installation

- Operating instructions are kept with stage at all times
- Reject & replace parts when the following failures are noticed:
  - Cracked or torn welds.
  - Cracked or torn material.
  - Deformations that could endanger the structural strength.
  - Deformations that would not allow normal installation.
  - Deformed or cracked connecting holes.
  - Damaged, missing or illegible decals indicating load ratings, configurations etc.

### Check components prior to shipment

Use table 'Standard configurations & Assembly Parts' in this user manual to verify to correct amount of parts prior to shipment. Ensure all decals and/or nameplates are in place and legible.

### Inspection after installation

- Inspect the platform assembly after installation and prior to each workshift:
- Verify load rating per this manual or decals and verify this load will not be exceeded
- Verify if all connections have a Connecting Pin assy:
  - Side Panel: 4 Connecting Pin assy's
  - Top Rail: 2 Connecting Pin assy's
  - Telescopic Post: 1 Connecting Pin assy
- Verify if each Connecting Pin is secured with a Locking Clip.
  - Side Panel: 4 Connecting Pin assy's
  - Top Rail: 2 Connecting Pin assy's
  - Telescopic Post: 1 Connecting Pin assy
- Verify if each End Stirrup has 2 secured Locking Clips or connecting Rod.
- Verify if Wall Roller assemblies are tightened.
- Verify if floor retainer Tabs & Blocks are extended: 4 per Floor Panel.
- Verify if all warning decals and rating labels are in place and legible
- Verify if provisions are made to protect workers from falling objects above and below equipment.
- Verify if stirrups are in line with the roof supports.



Always wear personal fall protection equipment.



## Logbook

### Instruction to the owner

Owner must keep a logbook which contains the following:

- Name of the competent person in charge.
- Date and name of operator(s).
- Serial number of hoist(s) and secondary device(s).
- Number of hours equipment in service.
- Specification of wire rope.
- Number of hours wire rope in use.
- Record of any incident and action taken.
- Dates of periodic inspection and record of outcome.
- Maintenance and repair records shall be kept in logbook.



Always wear personal fall protection equipment.

