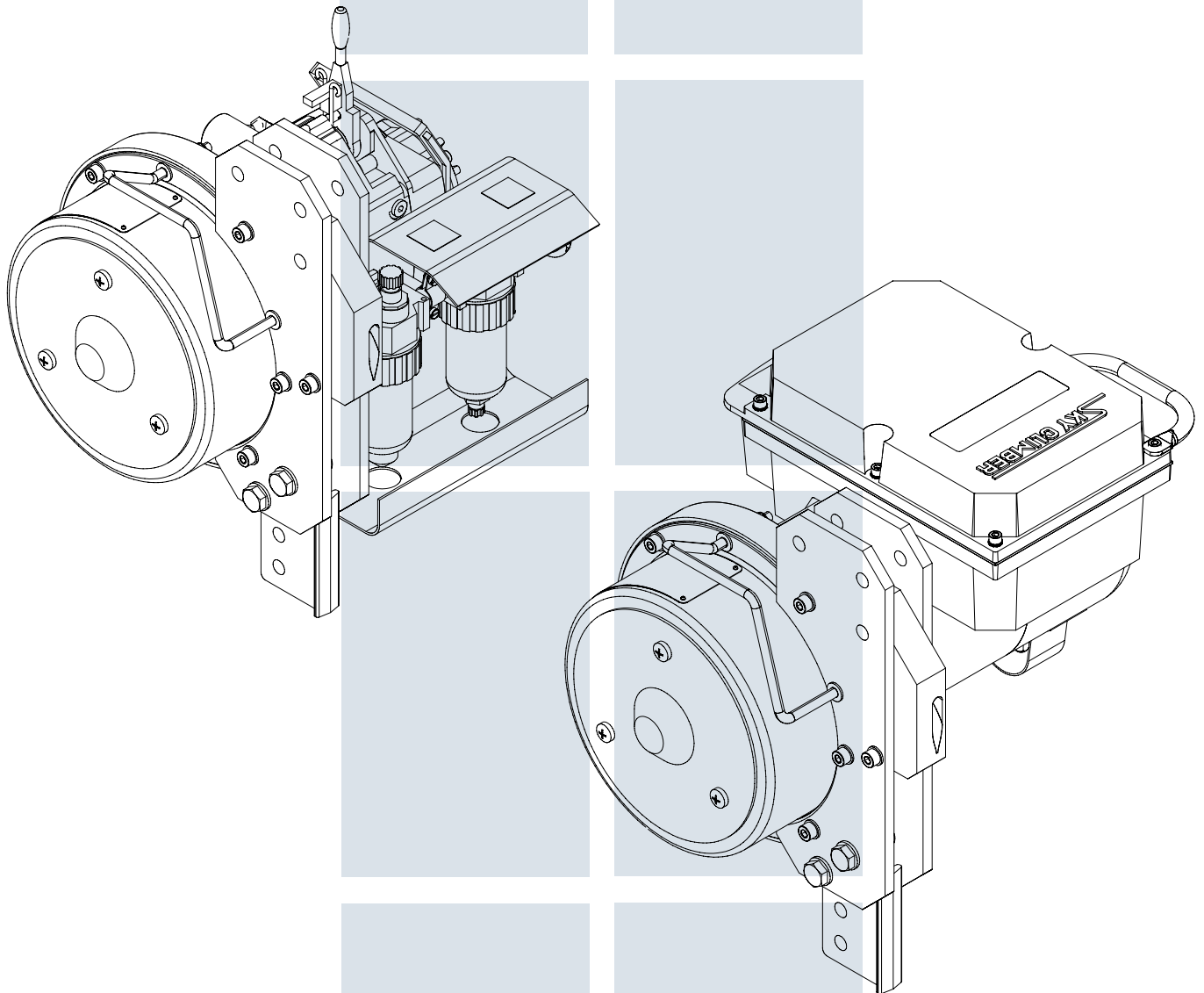


COMPACT 1000



N.V. Sky Climber Europe S.A.
Boomsesteenweg 14
2630 Aartselaar
Belgium
Tel +32 (0)3 887 81 20
Fax +32 (0)3 887 09 94
info@skyclimber.be

www.skyclimber.com

Sky Climber Inc.
1501 Rock Mountain Blvd.
Stone Mountain
Georgia 30083, USA
Tel +1 (770) 939-7705
Fax +1 (770) 493-7392
info@skyclimber.com



FOREWORD

Welcome to Sky Climber.

Congratulations on your new Sky Climber product. All Sky Climber products are designed and certified to the highest worldwide industry standards. Our continuous quality control ensures this product is manufactured to the relevant codes.

It is your responsibility to **READ AND UNDERSTAND** the contents of this manual. If you have any questions whatsoever, contact your dealer or Sky Climber customer service.

Sky Climber 'spare part manuals' are designed for easy and efficient ordering of spare parts. Each part can be recognized easily with the use of exploded views. Part numbers are shown near the assembly. The parts list, with part numbers and descriptions, are in chronological order.

Sky Climber reserves the right to continually improve its products. Every effort has been made to make this manual as accurate as possible at the time of publication; however, there may be product changes which are not detailed in the manual.

Each manual is also available as a PDF (portable document format). A PDF 'spare part manual' can be used to look up the correct spare part on a computer screen. With the use of the 'Contents', you can quickly jump to the correct page by clicking on the contents line or bookmark. You can recognize other links by blue markings.

We remind you to always wear personal fall protection equipment.

Your Sky Climber Team

© Sky Climber, 2002

All rights reserved. No part of this publication may be reproduced, stored in a retrieval system, or transmitted, in any form or by any means, electronic, mechanical, photocopying, recording, or otherwise, without the prior written permission of the publisher.



CONTENTS COMPACT 1000

COMPACT 1000 1

FOREWORD 2

CONTENTS 3

OVERVIEW • COMPACT 1000 4

Steel wire rope and End rope fittings..... 5

Accessories 6

Compact 1000: electric & air 7

Gearbox side 8

Electric motor 11

Electric Control Units 13

Air motor assy..... 16

Stirrup straps..... 20

Emergency handwheels..... 21

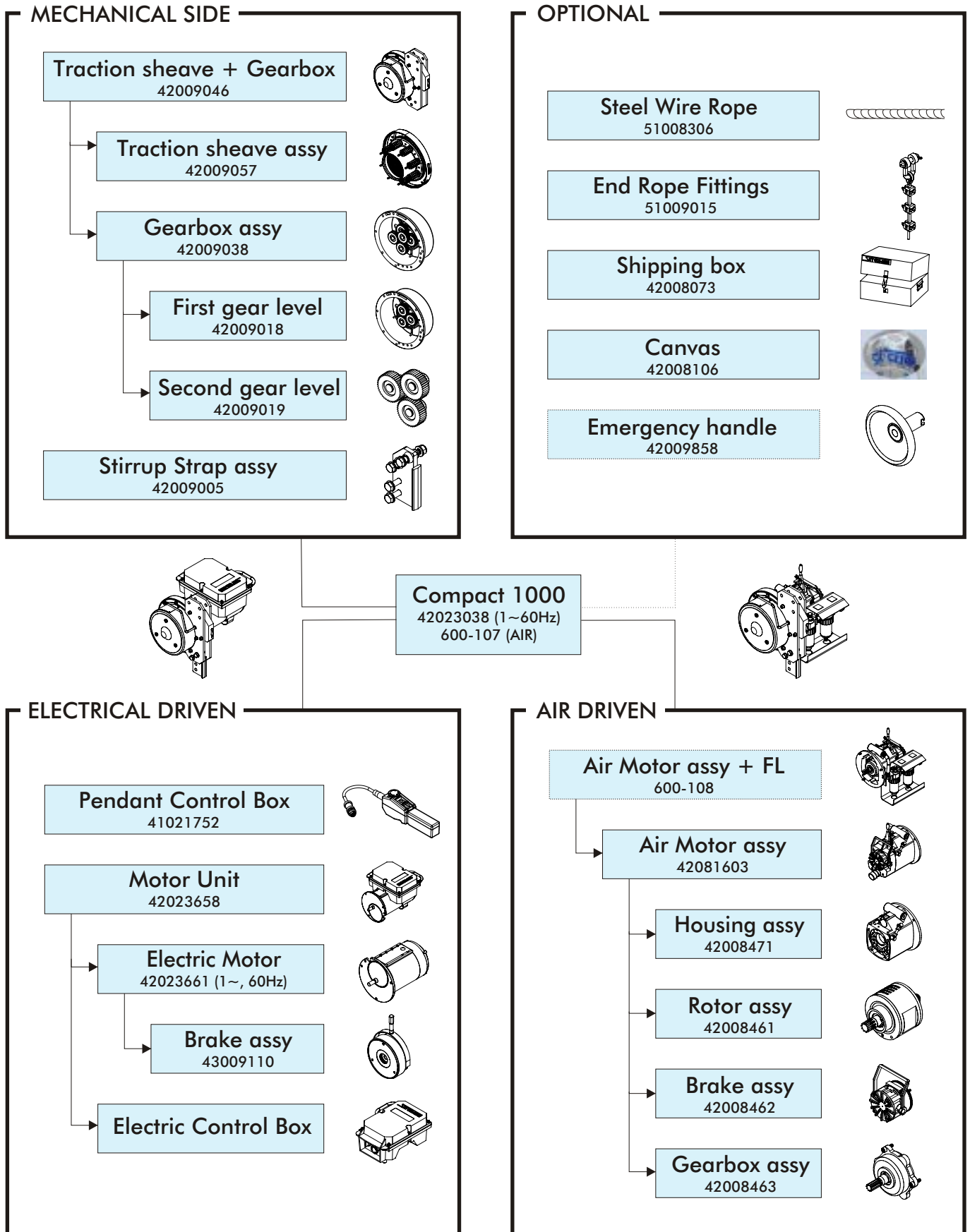
Decals and Nameplates..... 22

GUIDE TO ORDER SPARE PARTS • Compact 1000 23



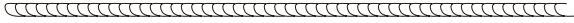
OVERVIEW • COMPACT 1000

(see also: spare part manual Sky Lock III 5/16" (8mm))



51008306 SWR Ø 5/16"

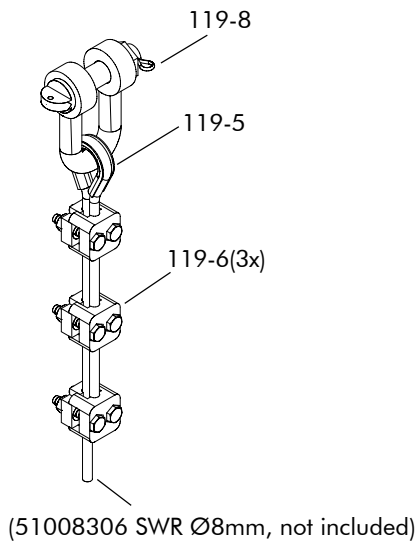
Sky Climber steel wire rope (SWR) is according ISO 2408 and NBN 04-001.



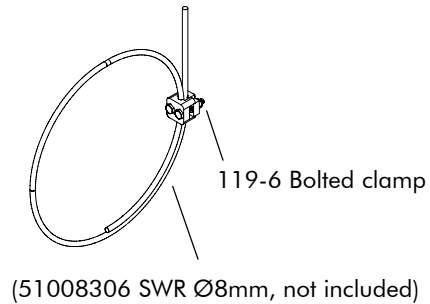
Steel wire rope specifications

- Rope diameter 5/16" (8mm)
- Construction 5x26WS, fiber core
- Type and direction of lay right hand, regular lay, preformed
- Surface finish of wires galvanised
- Tensile strength 307224PSI (2160N/mm²)
- Theoretical breaking load 14522LBS (64.6kN)
- Actual breaking load 11577LBS (51.5kN)
- Lubrication lightly greased

51009015 SHACKLE & CLAMPS



LOOP



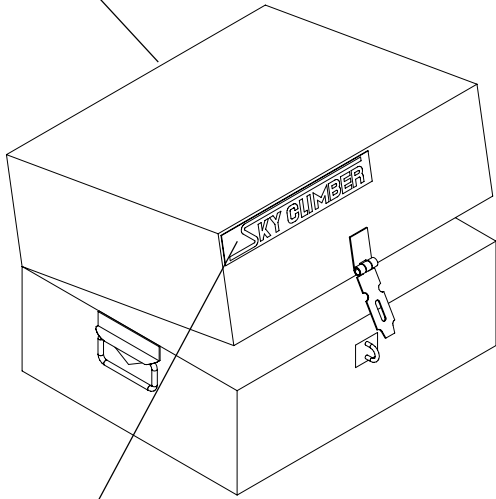
51009015 Shackle with bolted clamps

- 119-5 Steel thimble
- 119-6 Bolted clamp
- 119-8 Shackle with safety pin



42008073 SHIPPING BOX

42008073 Shipping box



12009237 Decal 'Sky Climber'

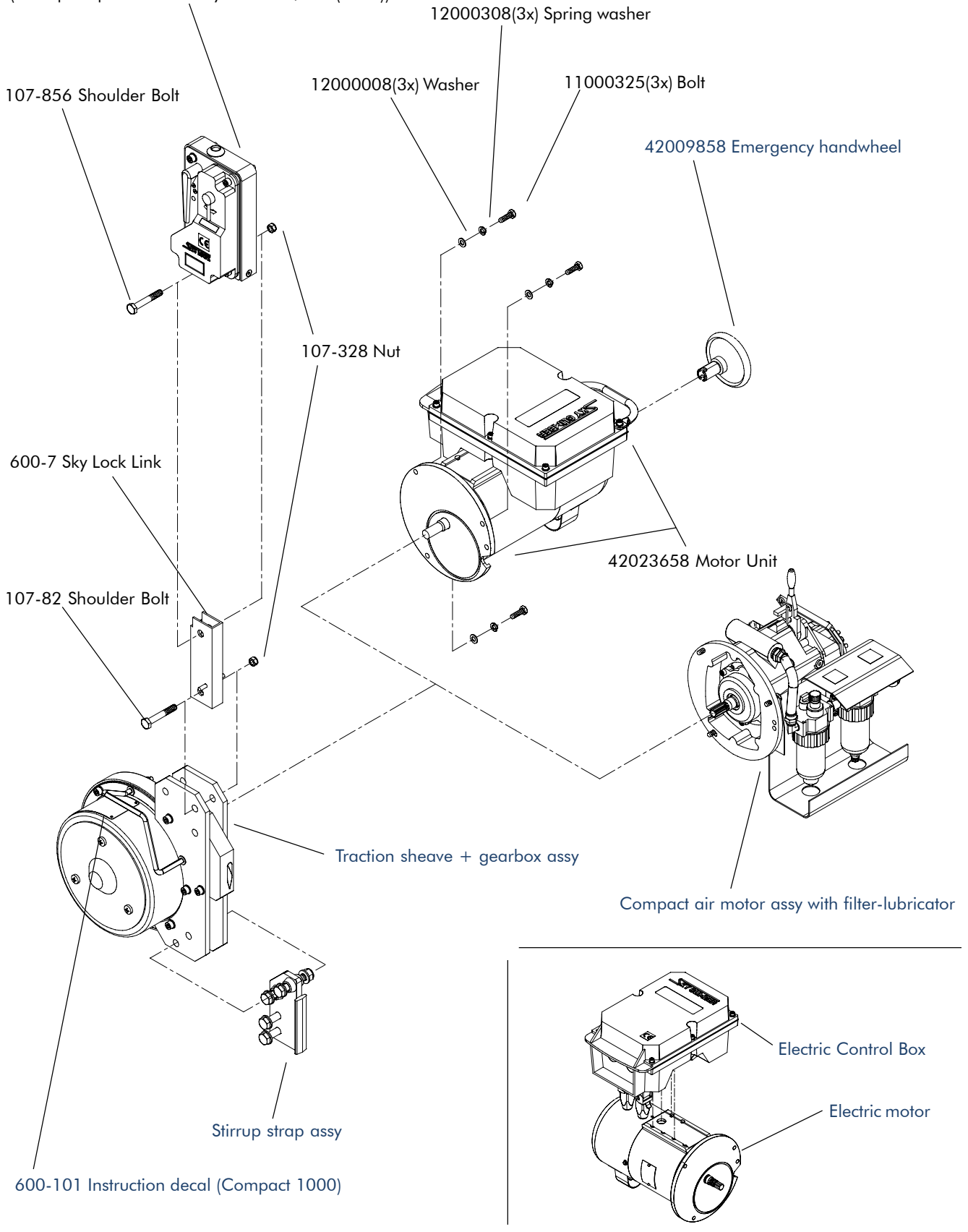
42008106 CANVAS



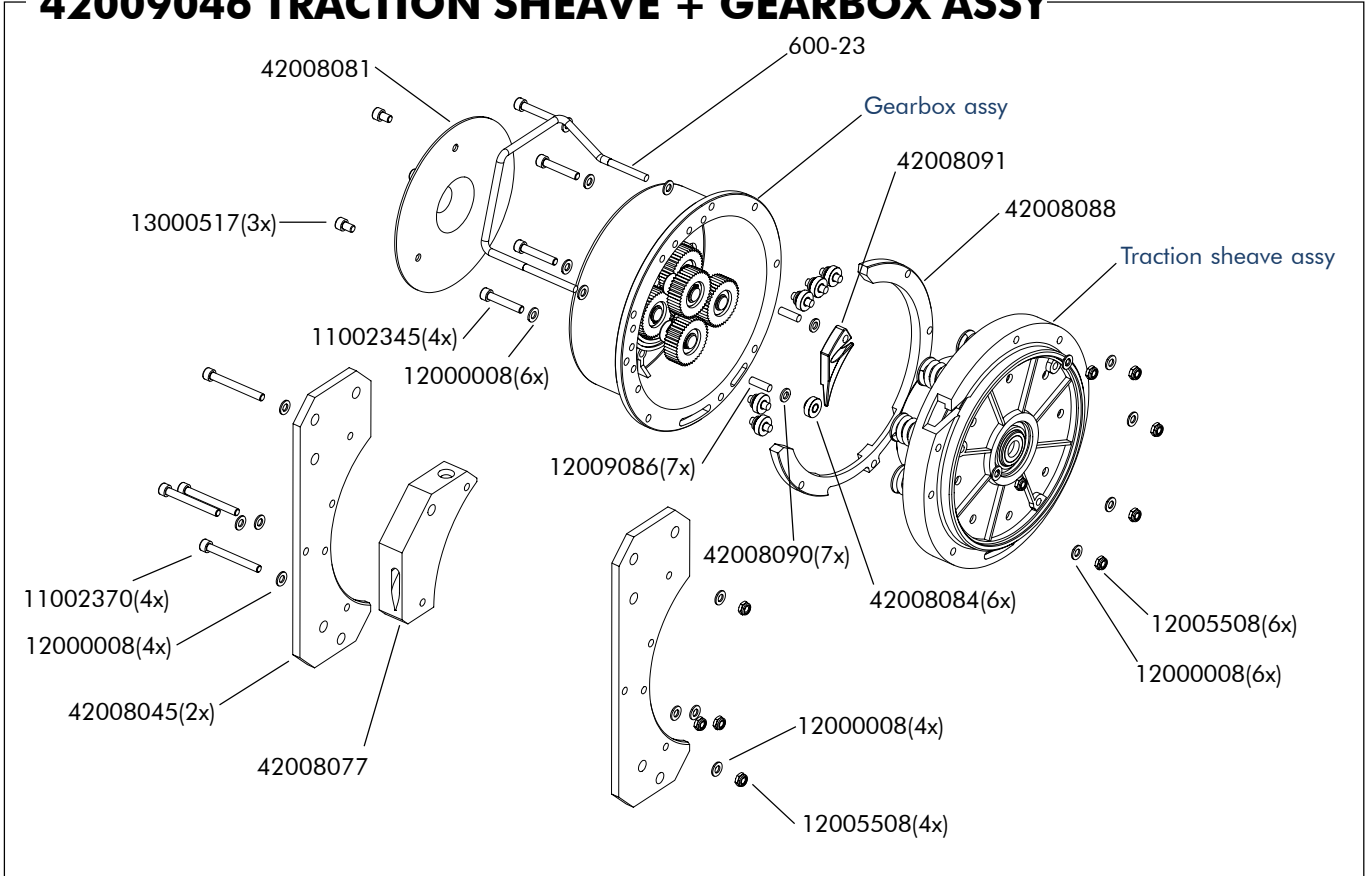
42008106 Canvas

COMPACT 1000 ELECTRIC & AIR

56009839 Sky Lock III 5/16" (8mm)
 (see: spare part manual Sky Lock III 5/16" (8mm))



42009046 TRACTION SHEAVE + GEARBOX ASSY

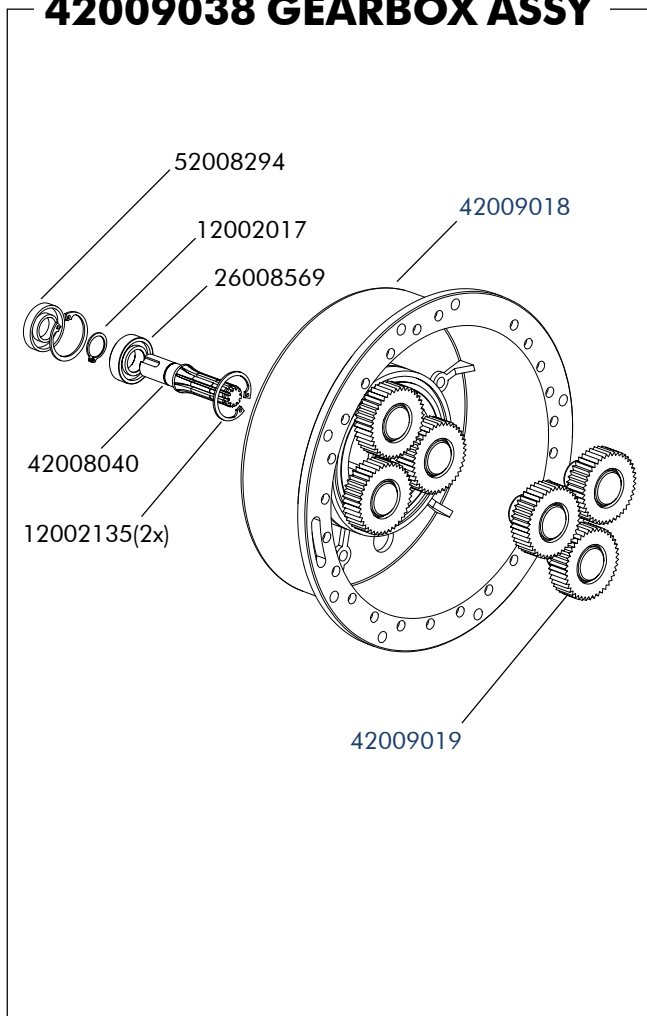


42009046 Traction sheave + Gearbox assy

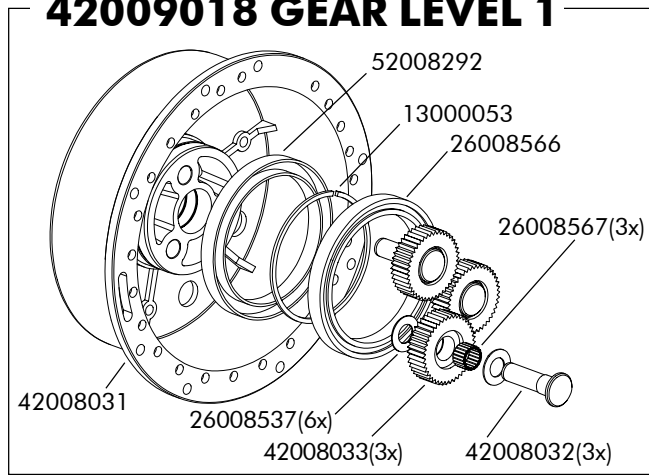
- 11002345 Screw
- 11002370 Screw
- 12000008 Washer
- 12005508 Selflocking nut
- 12009086 Dowell pin
- 13000517 Screw
- 42008045 Mounting strap
- 42008077 Cable guiding
- 42008081 Cover plate (blue)
- 42008084 Roller
- 42008088 Guiding ring
- 42008090 Special washer
- 42008091 Entry guide
- Traction sheave assy
- Gearbox assy
- 600-23 Handle



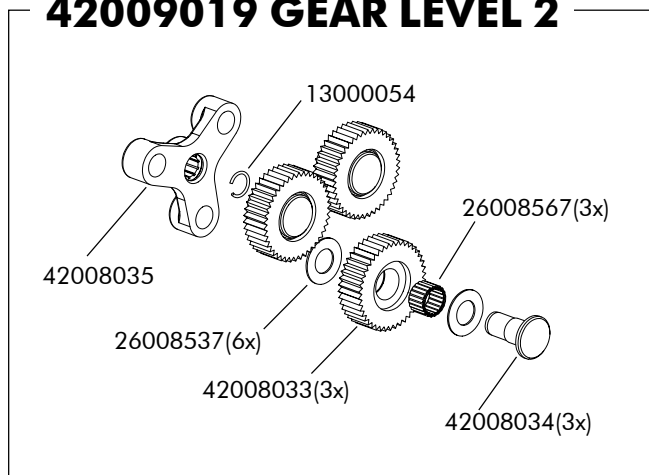
42009038 GEARBOX ASSY



42009018 GEAR LEVEL 1



42009019 GEAR LEVEL 2



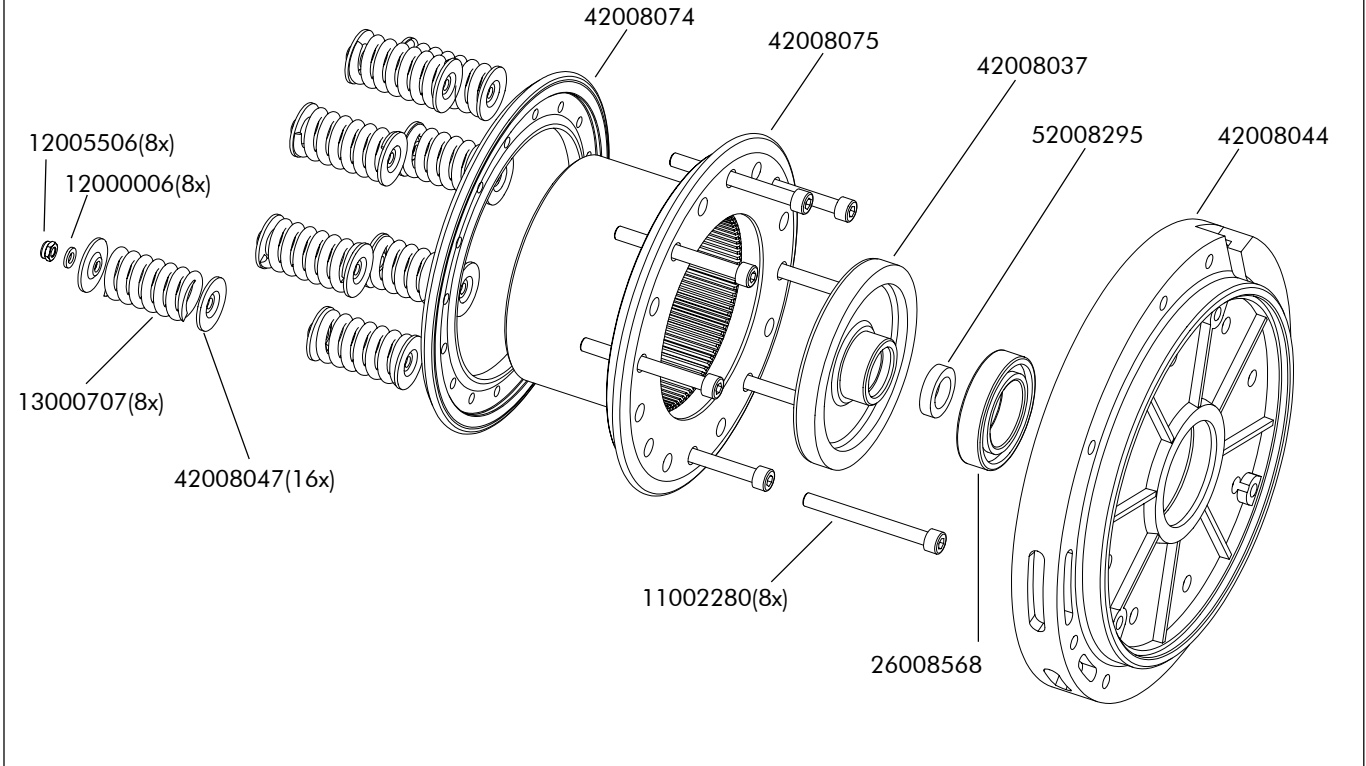
- 42009038 Gearbox assy**
- 12002017 Retaining ring
- 12002135 Retaining ring
- 26008569 Ball bearing
- 42008040 Shaft
- 42009018 Gearbox: first gear level
- 42009019 Gearbox: second gear level
- 52008294 Seal

- 42009018 Gearbox: first gear level**
- 13000053 Safety ring
- 26008537 Washer
- 26008566 Ball bearing
- 26008567 Needle bearing
- 42008031 Housing
- 42008032 Planet bolt
- 42008033 Planet gear wheel
- 52008292 Seal

- 42009019 Gearbox: second gear level**
- 13000054 Safety ring
- 26008537 Washer
- 26008567 Needle bearing
- 42008033 Planet gear wheel
- 42008034 Planet bolt
- 42008035 Planet carrier



42009057 TRACTION SHEAVE ASSY

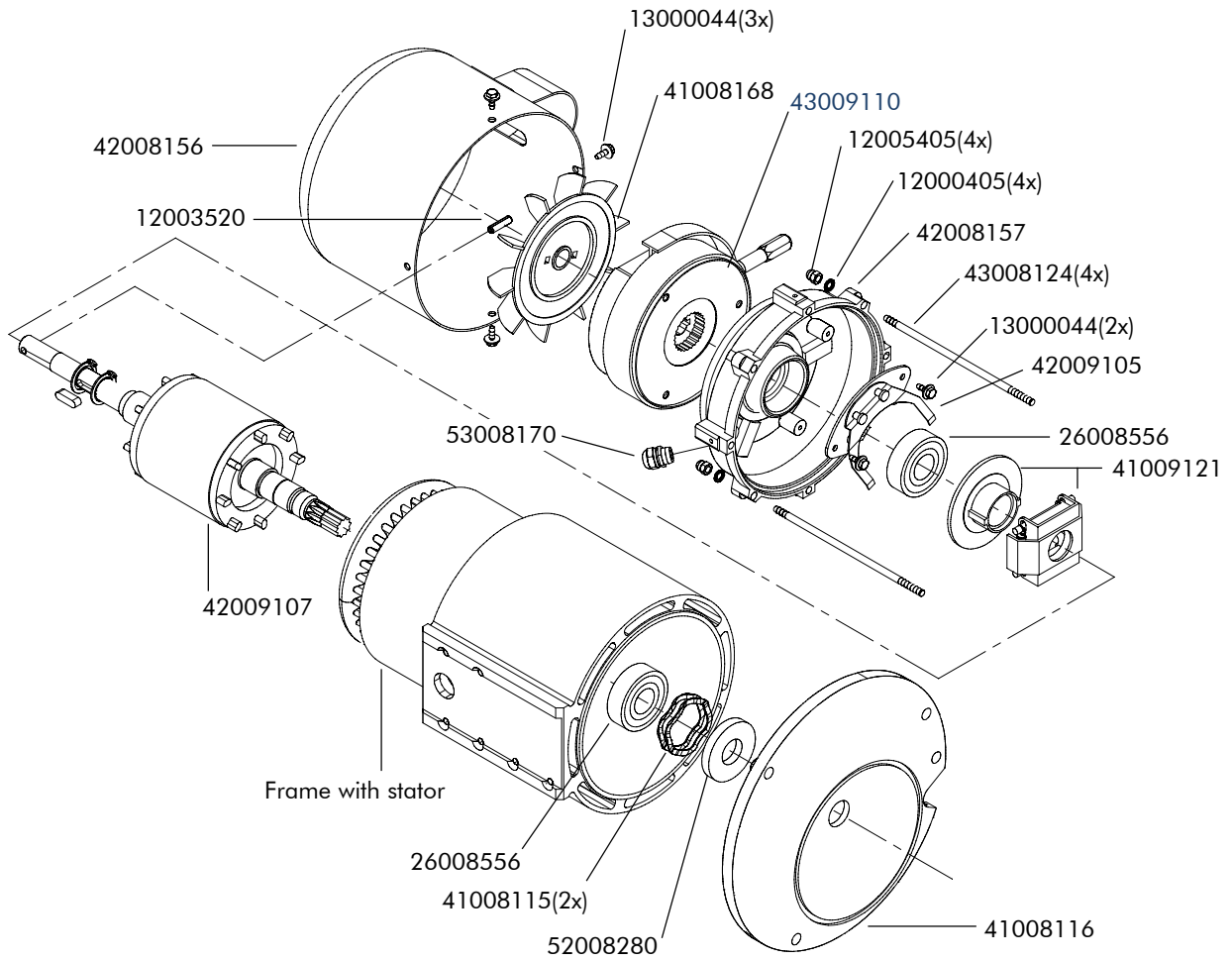


42009057 Traction sheave assy

- 11002280 Screw
- 12000006 Washer
- 12005506 Selflocking nut
- 13000707 Pressure spring
- 26008568 Ball bearing
- 42008037 Bearing cover
- 42008044 Cover housing
- 42008047 Spring guiding
- 42008074 Traction sheave
- 42008075 Drive disc
- 52008295 Seal



42023661 ELECTRIC MOTOR: 1~(1x220V) 60Hz

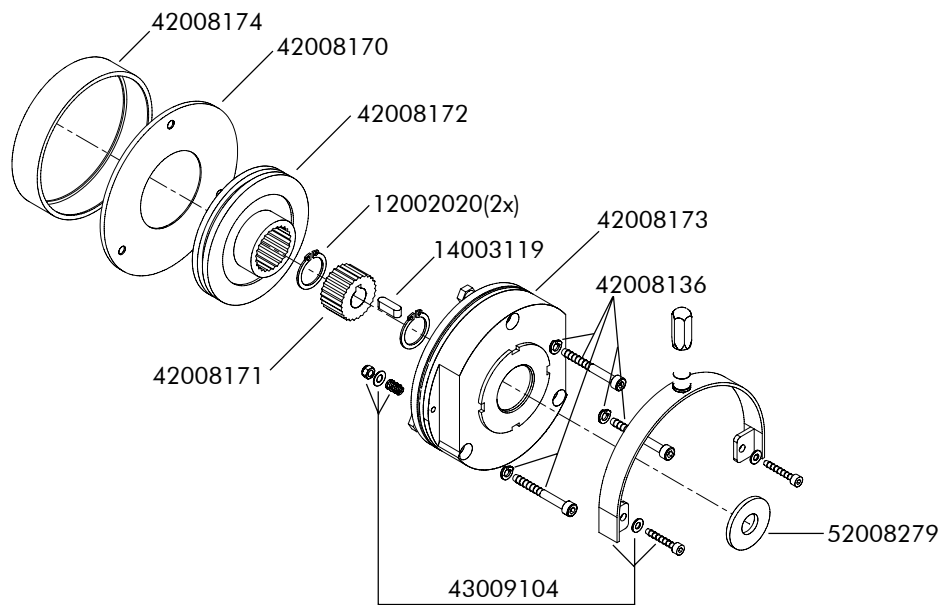


42023661 Electric motor: 1~(1x220V) 60Hz

12000405	Serrated washer
12003520	Spring pin
12005405	Nut
13000044	Screw
26008556	Ball bearing
41008115	Spring washer
41008116	Front flange
41008168	Cooling fan assy (aluminium)
41009121	Centrifugal mechanism - rotary part
42008156	Cover cooling fan (blue)
42008157	Cover (motor)
42009105	Centrifugal switch - fixed part
42009107	Rotor on shaft
43008124	Through bolt
43009110	Motor brake assy
52008280	Seal
53008170	Cable gland
Use SN	Frame with stator



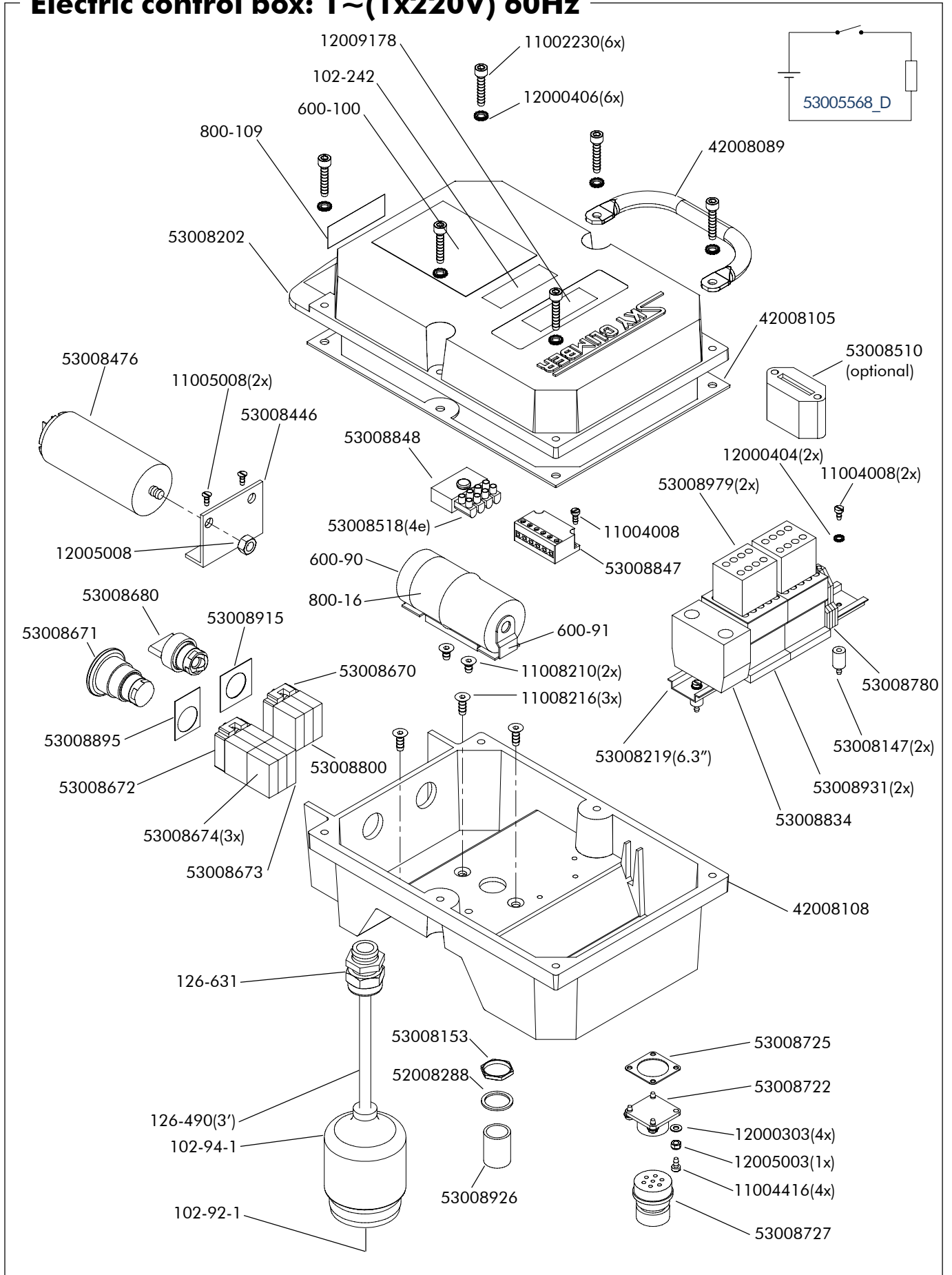
43009110 MOTOR BRAKE ASSY



43009110	Motor brake assy
12002020	Retaining ring
14003119	Key
42008136	Set of mounting screws
42008170	Brake disc
42008171	Hub
42008172	Rotor/friction disc
42008173	Coil assy
42008174	Dust cover
43009104	Release handle assy
52008279	Seal

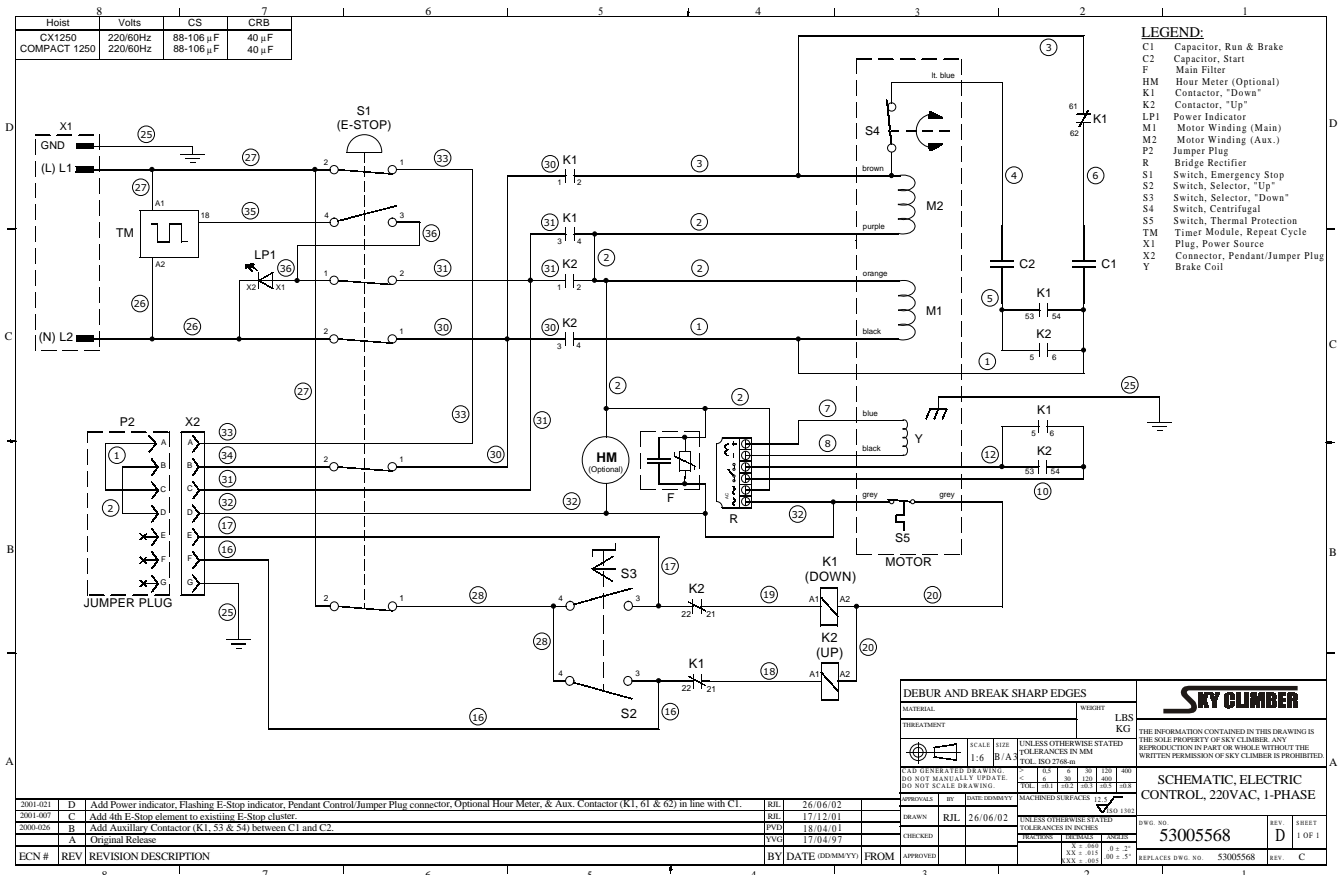


Electric control box: 1~(1x220V) 60Hz

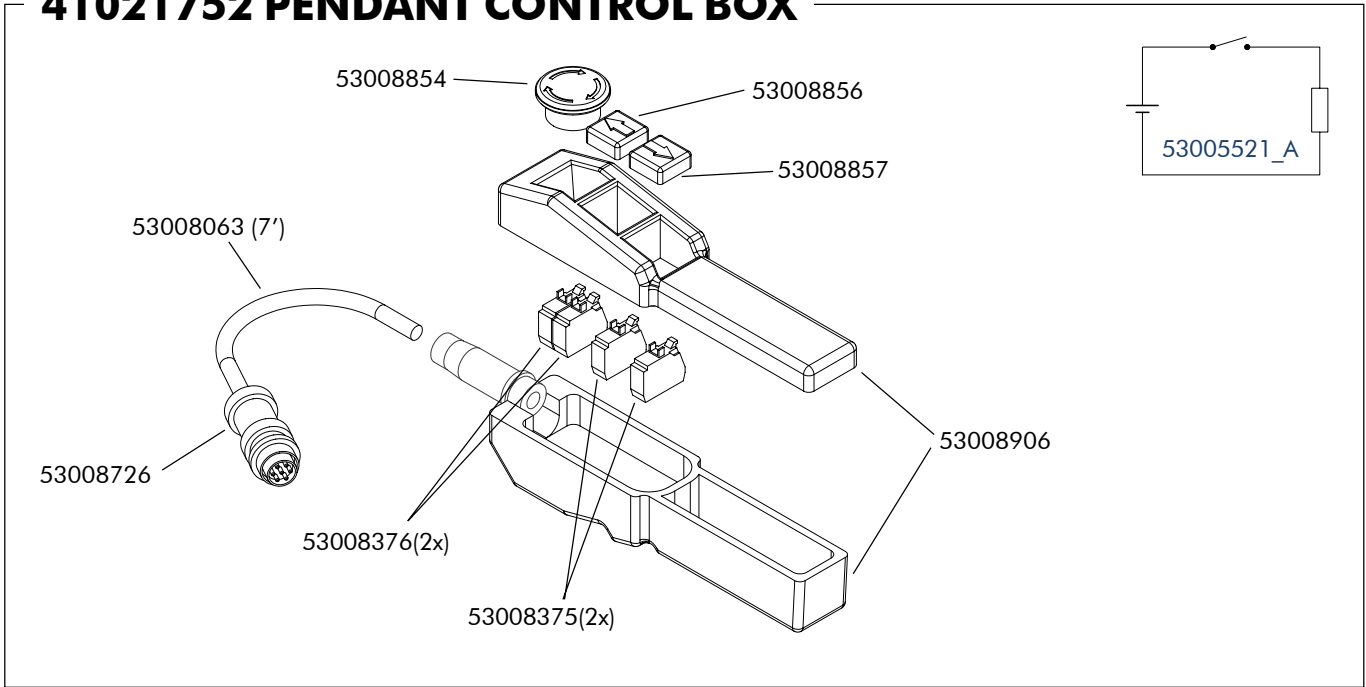


- Electric Control Box

- | | | | |
|----------|---------------------------------|----------|-----------------------------------|
| 11002230 | Screw | 53008672 | Switch body with elements (2NC) |
| 11004008 | Screw | 53008673 | Switch element (NO) |
| 11004416 | Screw | 53008674 | Switch element (NC) |
| 11005008 | Screw | 53008680 | Selector switch (green) |
| 11008210 | Screw | 53008722 | Connector |
| 11008216 | Screw | 53008725 | Gasket, sealing |
| 12000303 | Spring washer | 53008727 | Jumper plug |
| 12000404 | Serrated washer | 53008780 | Viking clamp (yellow/green) |
| 12000406 | Serrated washer | 53008800 | Light module |
| 12005003 | Nut | 53008834 | Cycle timer |
| 12005008 | Nut | 53008847 | Rectifier and spark suppressor |
| 12009178 | Decal '220V/60Hz' | 53008848 | Spark suppressor |
| 42008089 | Handle | 53008895 | Nameplate 'Stop' |
| 42008105 | Gasket (electrobox) | 53008915 | Nameplate (Up-Down) |
| 42008108 | Bottom (electrobox) | 53008926 | Tube |
| 52008288 | O-ring | 53008931 | Contactor |
| 53005568 | Wiring diagram enclosed | 53008979 | Contactor element |
| 53008147 | Stud-spacer | 102-242 | Decal (UL) |
| 53008153 | Counter nut | 102-92-1 | Male plug |
| 53008202 | Cover (electrobox) | 102-94-1 | Plughousing |
| 53008219 | Din-rail | 126-490 | Electric cable |
| 53008446 | Capacitor support | 126-631 | Cable gland |
| 53008476 | Capacitor | 600-100 | Decal (Compact 1000) |
| 53008510 | Hour meter (optional) | 600-90 | End cap for capacitor |
| 53008518 | Terminal bloc (4 connections) | 600-91 | Bracket for capacitor |
| 53008670 | Switch body with elements (2NO) | 800-109 | Decal (Controlled descent notice) |
| 53008671 | Emergency push button | 800-16 | Capacitor |

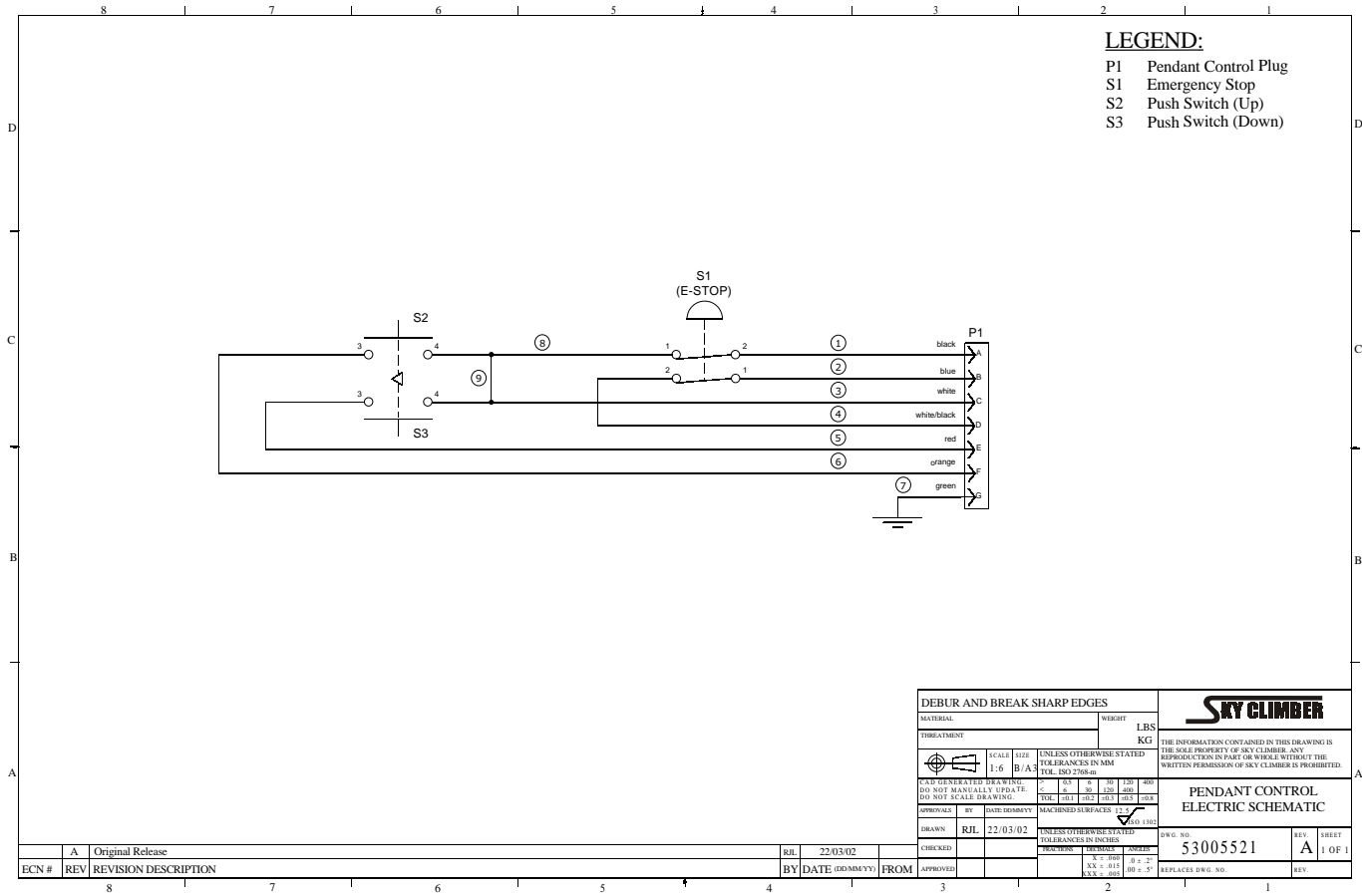


41021752 PENDANT CONTROL BOX



41021752 Pendant Control Box

- | | | | |
|----------|-------------------------|----------|--|
| 53008063 | Electric cable | 53008856 | Up push button (black arrow) |
| 53008375 | Switch element (NO) | 53008857 | Down push button (white arrow) |
| 53008376 | Switch element (NC) | 53008906 | Pendant station (pistol grip) |
| 53008726 | Straight plug connector | | (not included: electric cable, connector, and one NC switch element) |
| 53008854 | Emergency stop button | | |

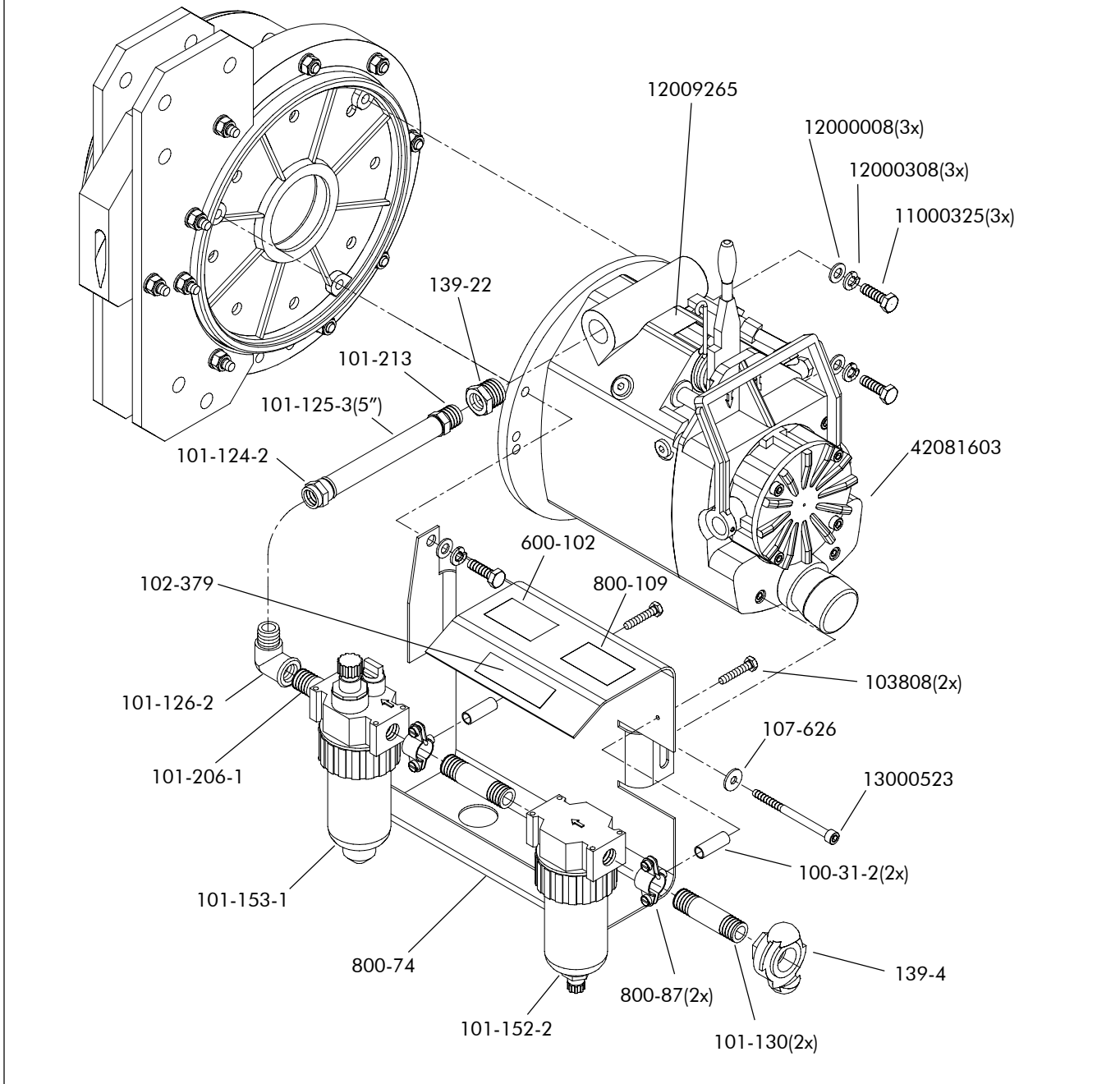


LEGEND:
 P1 Pendant Control Plug
 S1 Emergency Stop
 S2 Push Switch (Up)
 S3 Push Switch (Down)

DEBUR AND BREAK SHARP EDGES		WEIGHT							
MATERIAL		LBS	KG						
TREATMENT		UNLESS OTHERWISE STATED FOR FINISHES IN MM TOL. ISO 2768-mS		THE INFORMATION CONTAINED IN THIS DRAWING IS THE SOLE PROPERTY OF SKY CLIMBER. ANY REPRODUCTION IN PART OR WHOLE WITHOUT THE WRITTEN PERMISSION OF SKY CLIMBER IS PROHIBITED. PENDANT CONTROL ELECTRIC SCHEMATIC					
SCALE	1:1	SIZE	B/A						
DATE	22/03/02	BY	RJL						
APPROVED		CHECKED							
ECN #	A	REV	REVISION DESCRIPTION	DWG. NO.	53005521	REV	A	SHEET	1 OF 1



600-108 COMPACT AIR MOTOR ASSY WITH FILTER-LUBRICATOR

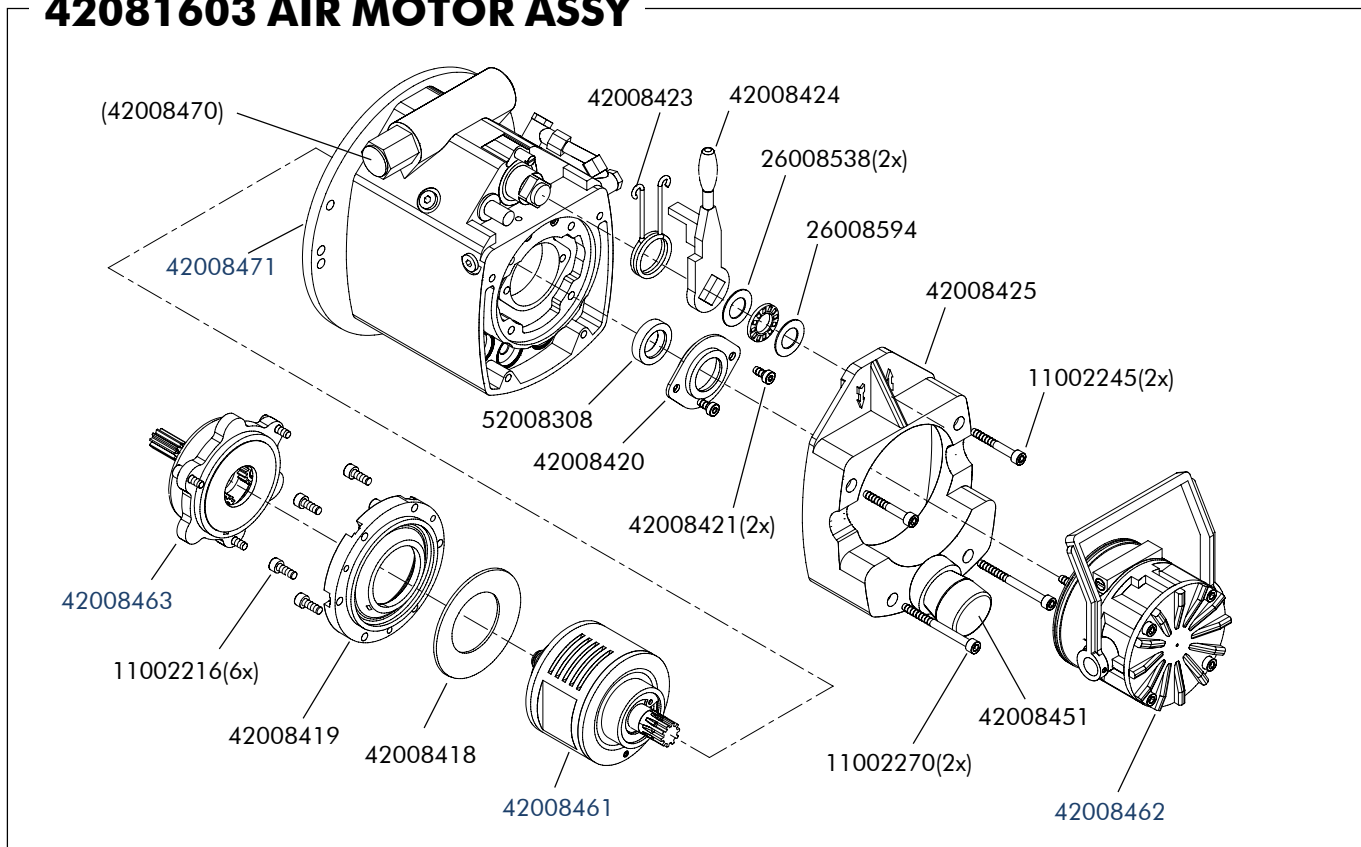


600-108 Compact Air Motor assy with Filter-Lubricator

103808	Bolt	101-152-2	Filter
12000008	Washer	101-153-1	Lubricator assy
12000308	Spring washer	101-206-1	Close nipple
12009265	Decal (Down-Stop-Up)	101-213	Connector
13000523	Special bolt	102-379	Decal (UL)
13000525	Bolt	107-626	Washer
42081603	Air motor assy	139-22	Reducer bushing
100-31-2	Spacer	139-4	Air king connector
101-124-2	Fitting	600-102	Decal (Compact 1000 air)
101-125-3	Hose	800-109	Decal (Controlled descent notice)
101-126-2	Elbow	800-74	Bracket
101-130	Nipple Pipe	800-87	Beeline pipe clamp



42081603 AIR MOTOR ASSY

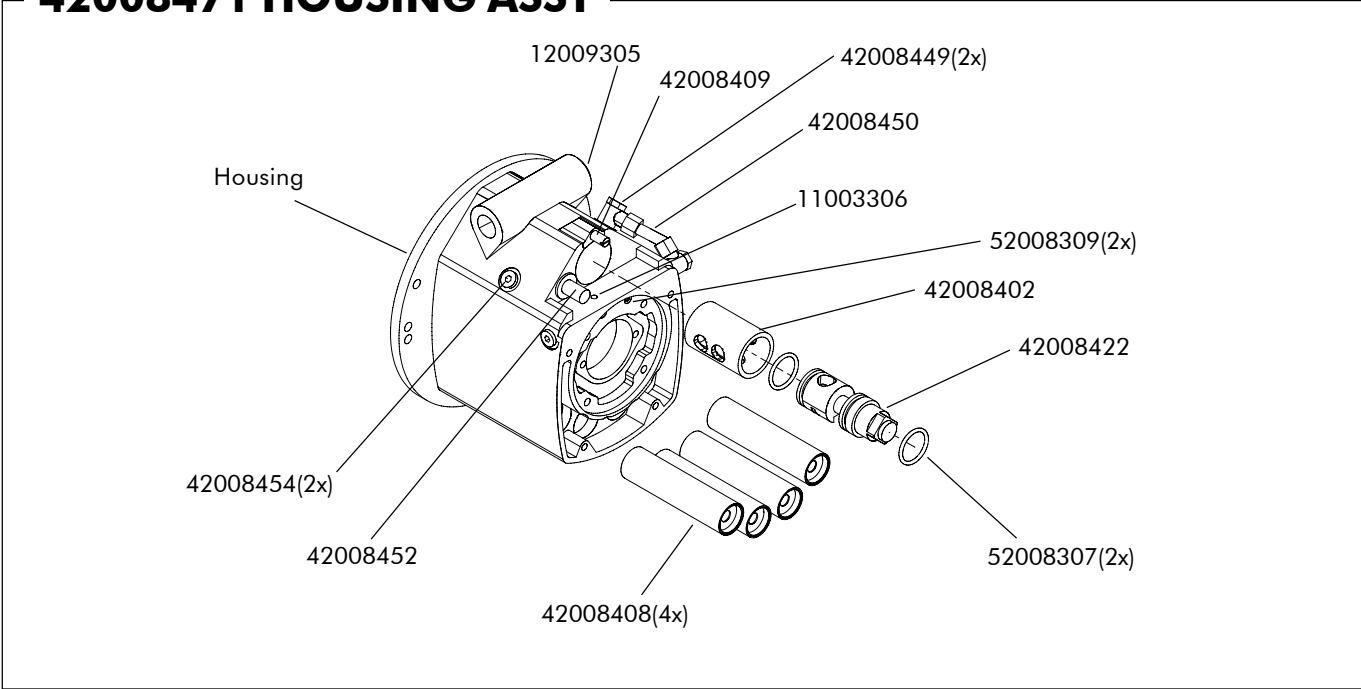


42081603 Air motor assy

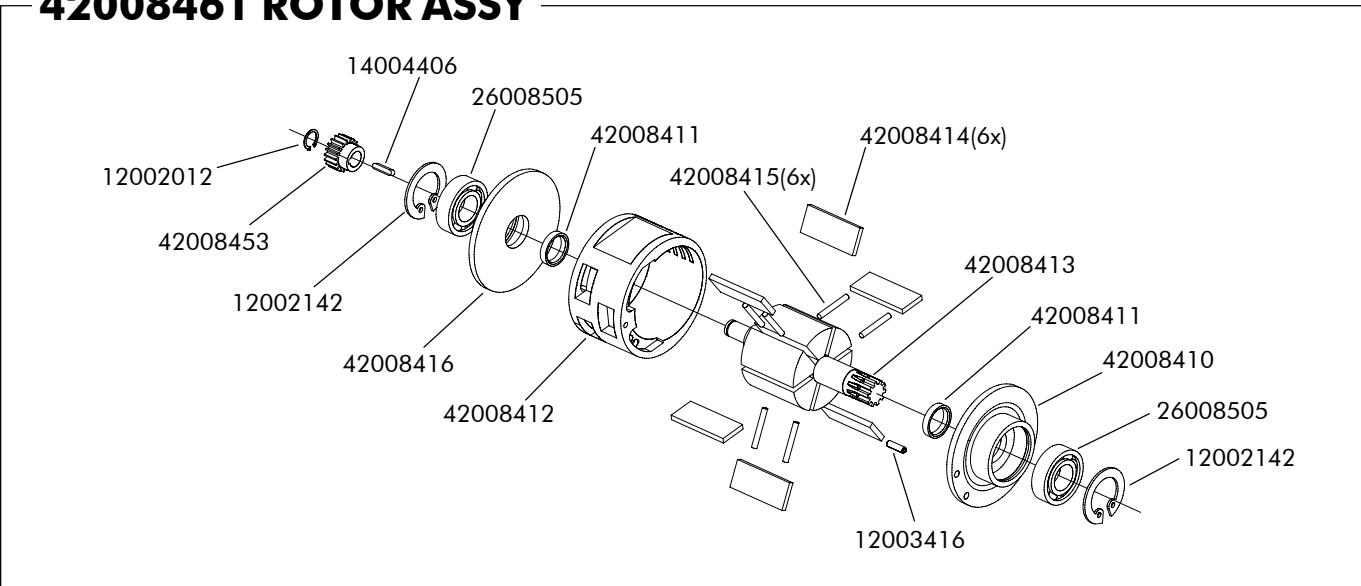
- 11002216 Screw
- 11002245 Screw
- 11002270 Screw
- 26008538 Washer
- 26008594 Needle bearing
- 42008418 Dish
- 42008419 Motor flange
- 42008420 Closing flange
- 42008421 Bolt
- 42008423 Spring
- 42008424 Lever
- 42008425 Housing flange
- 42008451 Air outlet muffler
- 42008461 Rotor assy
- 42008462 Brake assy
- 42008463 Gearbox assy
- 42008470 Inlet nipple
- 42008471 Housing assy
- 52008308 Seal



42008471 HOUSING ASSY



42008461 ROTOR ASSY



42008471 Housing assy

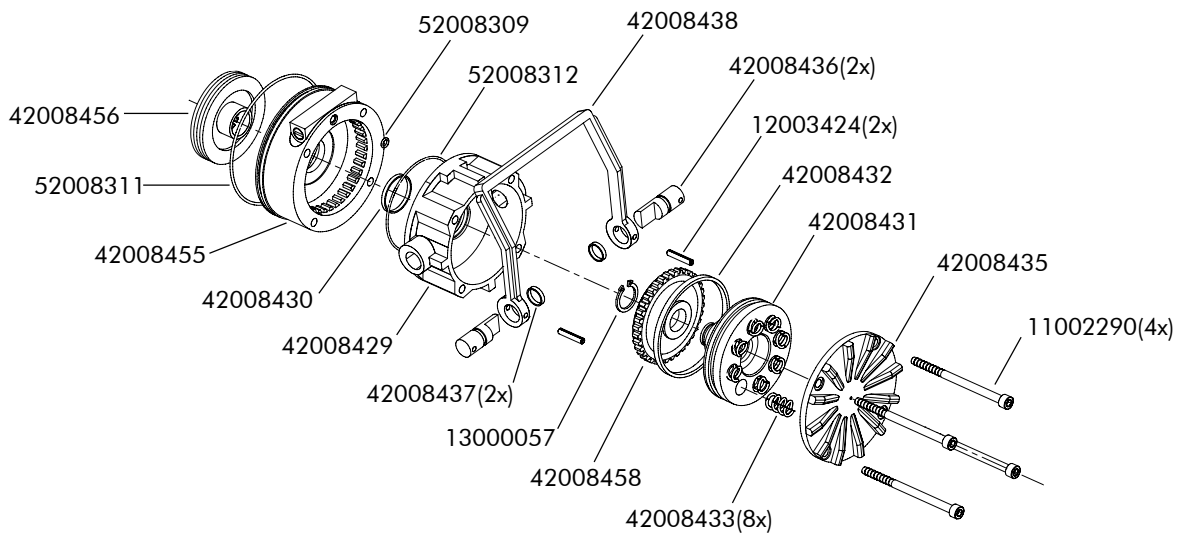
- 11003306 Socket
- 12009305 Plug
- 42008402 Bushing (not available as a spare part)
- 42008408 Air muffler assy
- 42008409 Screw
- 42008422 Valve
- 42008449 Elbow
- 42008450 Tube
- 42008452 Blocking axle
- 42008454 Plug
- 52008307 O-ring
- 52008309 O-ring
- Housing

42008461 Rotor assy

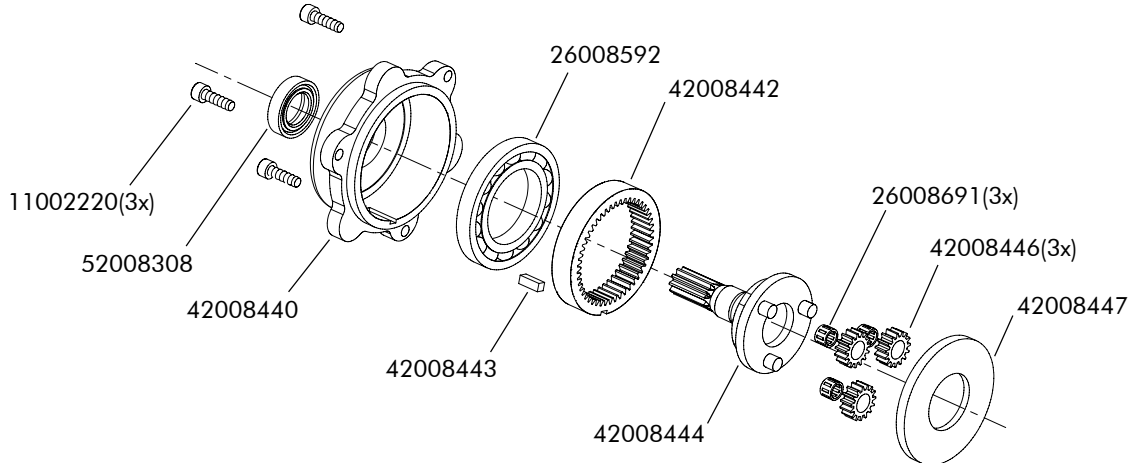
- 12002012 Retaining ring
- 12002142 Retaining ring
- 12003416 Spring pin
- 14004406 Key
- 26008505 Ball bearing
- 42008410 Closing plate
- 42008411 Distance ring
- 42008412 Housing
- 42008413 Rotor
- 42008414 Blade
- 42008415 Special pin
- 42008416 Closing plate
- 42008453 Pinion



42008462 BRAKE ASSY



42008463 GEARBOX ASSY



42008462 Brake assy

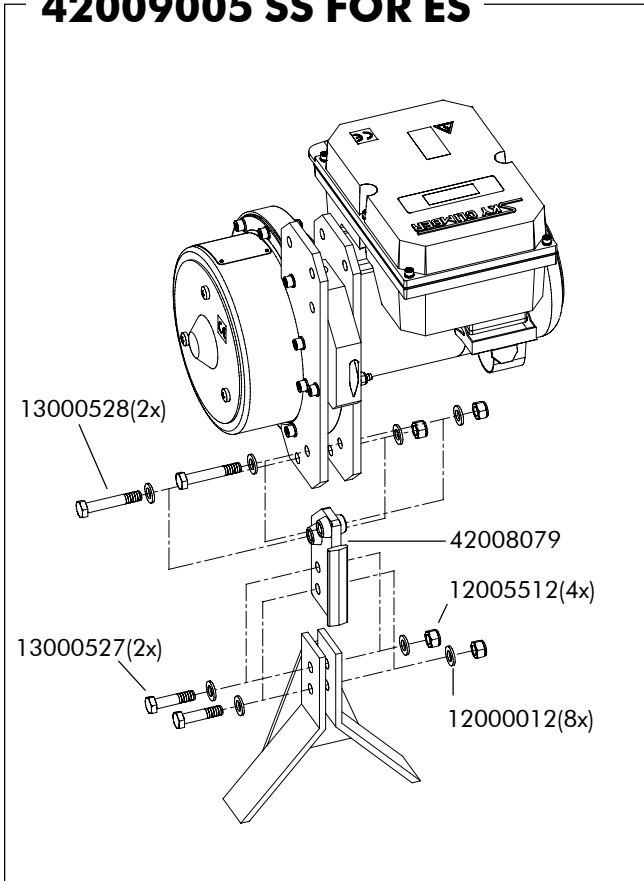
- 11002290 Screw
- 12003424 Spring pin
- 13000057 Retaining ring
- 42008429 Housing (brake)
- 42008430 Quad ring
- 42008431 Piston brake
- 42008432 Air seal
- 42008433 Spring
- 42008435 Cover (brake)
- 42008436 Bolt (release handle)
- 42008437 Quad ring
- 42008438 Release handle
- 42008455 Housing assy
- 42008456 Rotor
- 42008458 Pressure disc
- 52008309 O-ring
- 52008311 O-ring
- 52008312 O-ring

42008463 Gearbox assy

- 11002220 Screw
- 26008592 Ball bearing
- 26008691 Needle bearing
- 42008440 Housing
- 42008442 Gear wheel
- 42008443 Key
- 42008444 Planet carrier with bolts
- 42008446 Planet gear wheel
- 42008447 Metal ring
- 52008308 Seal



42009005 SS FOR ES

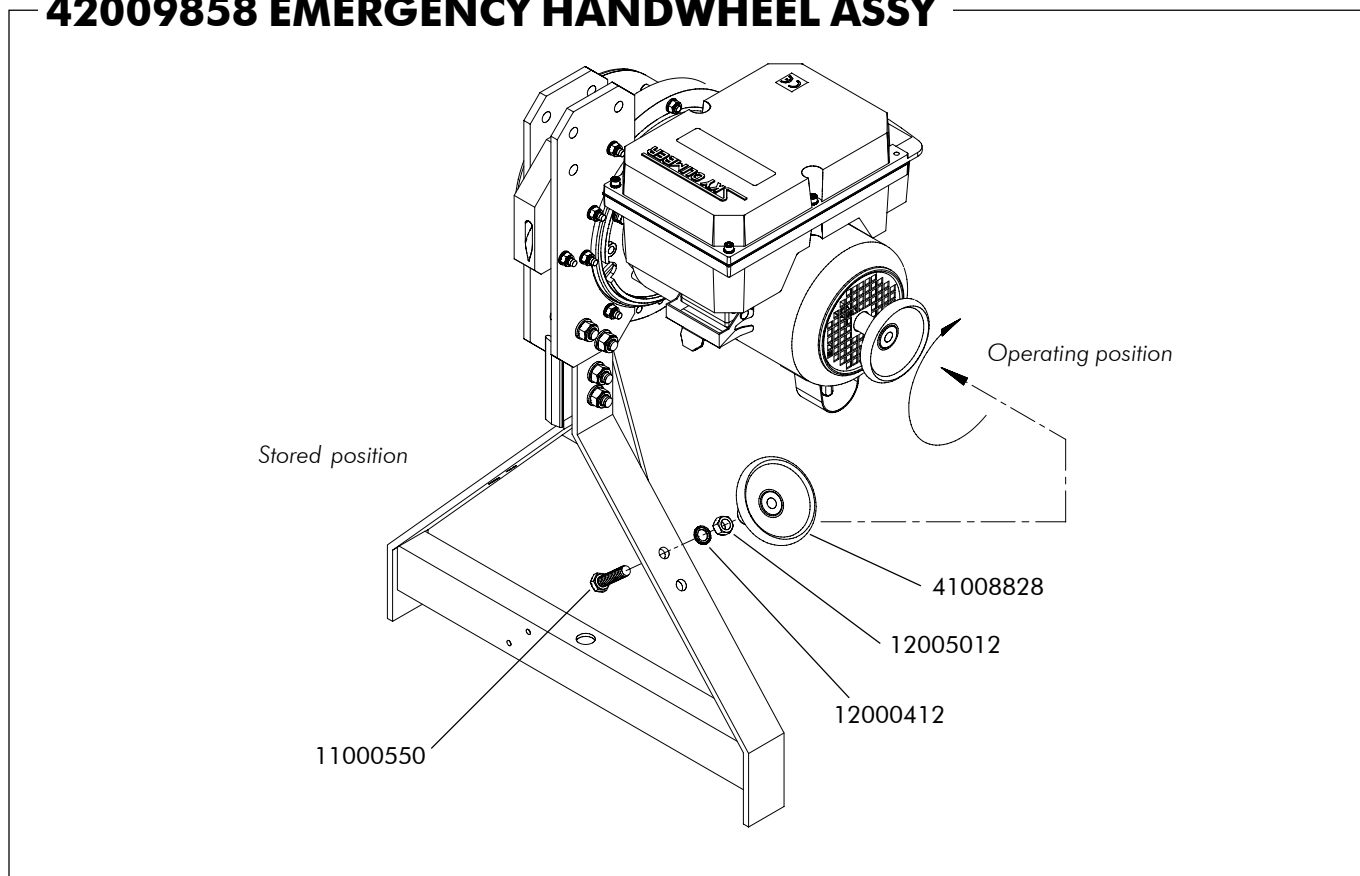


42009005 Stirrup strap assy for End Stirrup

- 12000012 Washer
- 12005512 Selflocking nut
- 13000527 Bolt
- 13000528 Bolt
- 42008079 Stirrup strap



42009858 EMERGENCY HANDWHEEL ASSY



42009858 Emergency handwheel assy

- 11000550 Screw
- 12000412 Serrated washer
- 12005012 Nut
- 41008828 Handwheel



Decals and Nameplates



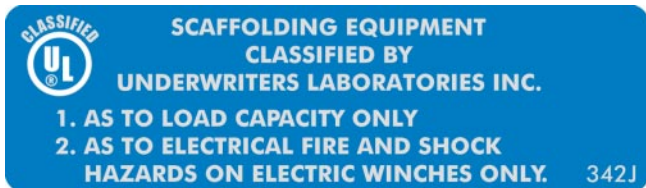
12009178 Decal '220V/60Hz'



12009237 Decal 'Sky Climber'



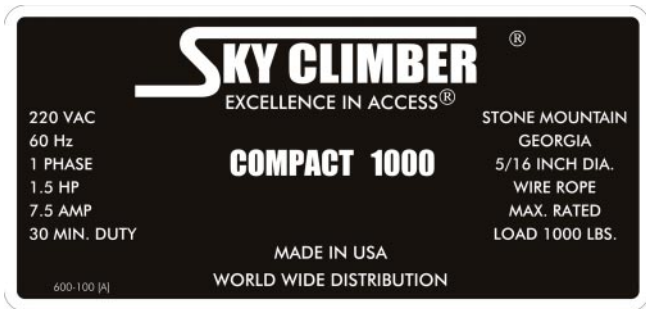
12009265 Decal (Down-Stop-Up)



102-242 Decal (UL)



102-379 Decal (UL)



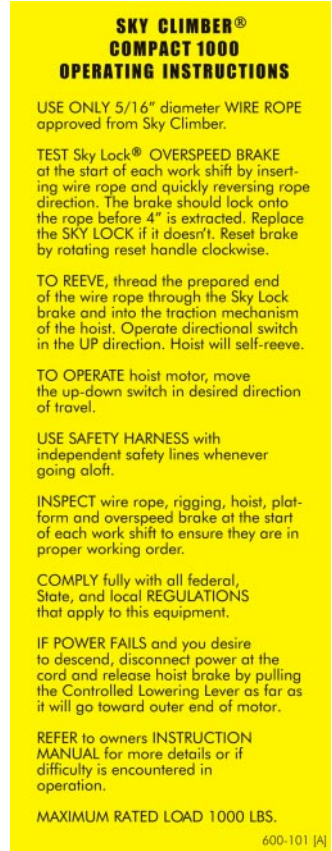
600-100 Decal (Compact 1000)



53008895 Nameplate 'Stop'



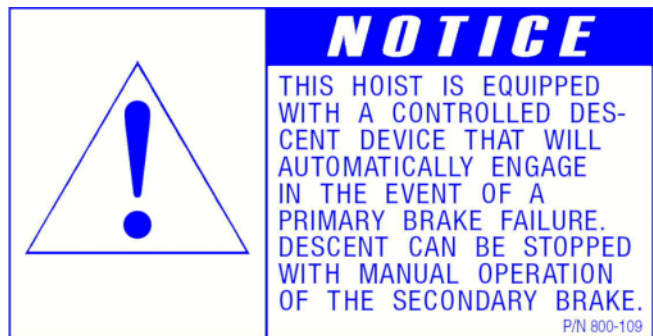
53008915 Nameplate (Up-Down)



600-101 Instruction decal (Compact 1000)



600-102 Decal (Compact 1000 air)



800-109 Decal (Controlled descent notice)



GUIDE TO ORDER SPARE PARTS • Compact 1000

Please complete and attach to your Purchase Order for easy order placement.

Qty	PN	Description
	103808	Bolt
	11000325	Bolt
	11000550	Screw
	11002216	Screw
	11002220	Screw
	11002230	Screw
	11002245	Screw
	11002270	Screw
	11002280	Screw
	11002290	Screw
	11002345	Screw
	11002370	Screw
	11003306	Socket
	11004008	Screw
	11004416	Screw
	11005008	Screw
	11008210	Screw
	11008216	Screw
	12000006	Washer
	12000008	Washer
	12000012	Washer
	12000303	Spring washer
	12000308	Spring washer
	12000404	Serrated washer
	12000405	Serrated washer
	12000406	Serrated washer
	12000412	Serrated washer
	12002012	Retaining ring
	12002017	Retaining ring
	12002020	Retaining ring
	12002135	Retaining ring
	12002142	Retaining ring
	12003416	Spring pin
	12003424	Spring pin

Qty	PN	Description
	12003520	Spring pin
	12005003	Nut
	12005008	Nut
	12005012	Nut
	12005405	Nut
	12005506	Selflocking nut
	12005508	Selflocking nut
	12005512	Selflocking nut
	12009086	Dowell pin
	12009178	Decal '220V/60Hz'
	12009237	Decal 'Sky Climber'
	12009265	Decal (Down-Stop-Up)
	12009305	Plug
	13000044	Screw
	13000053	Safety ring
	13000054	Safety ring
	13000057	Retaining ring
	13000517	Screw
	13000523	Special bolt
	13000525	Bolt
	13000527	Bolt
	13000528	Bolt
	13000707	Pressure spring
	14003119	Key
	14004406	Key
	26008505	Ball bearing
	26008537	Washer
	26008538	Washer
	26008556	Ball bearing
	26008566	Ball bearing
	26008567	Needle bearing
	26008568	Ball bearing
	26008569	Ball bearing
	26008592	Ball bearing



Qty	PN	Description
	26008594	Needle bearing
	26008691	Needle bearing
	41008115	Spring washer
	41008116	Front flange
	41008168	Cooling fan assy (aluminium)
	41008828	Handwheel
	41009121	Centrifugal mechanism - rotary part
	41021752	Pendant Control Box
	42008031	Housing
	42008032	Planet bolt
	42008033	Planet gear wheel
	42008034	Planet bolt
	42008035	Planet carrier
	42008037	Bearing cover
	42008040	Shaft
	42008044	Cover housing
	42008045	Mounting strap
	42008047	Spring guiding
	42008073	Shipping box
	42008074	Traction sheave
	42008075	Drive disc
	42008077	Cable guiding
	42008079	Stirrup strap
	42008081	Cover plate (blue)
	42008084	Roller
	42008088	Guiding ring
	42008089	Handle
	42008090	Special washer
	42008091	Entry guide
	42008105	Gasket (electrobox)
	42008106	Canvas
	42008108	Bottom (electrobox)
	42008136	Set of mounting screws
	42008156	Cover cooling fan (blue)

Qty	PN	Description
	42008157	Cover (motor)
	42008170	Brake disc
	42008171	Hub
	42008172	Rotor/friction disc
	42008173	Coil assy
	42008174	Dust cover
	42008408	Air muffler assy
	42008409	Screw
	42008410	Closing plate
	42008411	Distance ring
	42008412	Housing
	42008413	Rotor
	42008414	Blade
	42008415	Special pin
	42008416	Closing plate
	42008418	Dish
	42008419	Motor flange
	42008420	Closing flange
	42008421	Bolt
	42008422	Valve
	42008423	Spring
	42008424	Lever
	42008425	Housing flange
	42008429	Housing (brake)
	42008430	Quad ring
	42008431	Piston brake
	42008432	Air seal
	42008433	Spring
	42008435	Cover (brake)
	42008436	Bolt (release handle)
	42008437	Quad ring
	42008438	Release handle
	42008440	Housing
	42008442	Gear wheel

Qty	PN	Description
	42008443	Key
	42008444	Planet carrier with bolts
	42008446	Planet gear wheel
	42008447	Metal ring
	42008449	Elbow
	42008450	Tube
	42008451	Air outlet muffler
	42008452	Blocking axle
	42008453	Pinion
	42008454	Plug
	42008455	Housing assy
	42008456	Rotor
	42008458	Pressure disc
	42008461	Rotor assy
	42008462	Brake assy
	42008463	Gearbox assy
	42008470	Inlet nipple
	42008471	Housing assy
	42009005	Stirrup strap assy for End Stirrup
	42009018	Gearbox: first gear level
	42009019	Gearbox: second gear level
	42009038	Gearbox assy
	42009046	Traction sheave + Gearbox assy
	42009057	Traction sheave assy
	42009105	Centrifugal switch - fixed part
	42009107	Rotor on shaft
	42009858	Emergency handwheel assy
	42023661	Electric motor: 1~(1x220V) 60Hz
	42081603	Air motor assy
	43008124	Through bolt
	43009104	Release handle assy
	43009110	Motor brake assy
	51008306	SWR Ø 5/16"
	51009015	Shackle with bolted clamps

Qty	PN	Description
	52008279	Seal
	52008280	Seal
	52008288	O-ring
	52008292	Seal
	52008294	Seal
	52008295	Seal
	52008307	O-ring
	52008308	Seal
	52008309	O-ring
	52008311	O-ring
	52008312	O-ring
	53005568	Wiring diagram enclosed
	53008063	Electric cable
	53008147	Stud-spacer
	53008153	Counter nut
	53008170	Cable gland
	53008202	Cover (electrobox)
	53008219	Din-rail
	53008375	Switch element (NO)
	53008376	Switch element (NC)
	53008446	Capacitor support
	53008476	Capacitor
	53008510	Hour meter (optional)
	53008518	Terminal bloc (4 connections)
	53008670	Switch body with elements (2NO)
	53008671	Emergency push button
	53008672	Switch body with elements (2NC)
	53008673	Switch element (NO)
	53008674	Switch element (NC)
	53008680	Selector switch (green)
	53008722	Connector
	53008725	Gasket, sealing
	53008726	Straight plug connector
	53008727	Jumper plug

Qty	PN	Description
	53008780	Viking clamp (yellow/green)
	53008800	Light module
	53008834	Cycle timer
	53008847	Rectifier and spark suppressor
	53008848	Spark suppressor
	53008854	Emergency stop button
	53008856	Up push button (black arrow)
	53008857	Down push button (white arrow)
	53008895	Nameplate 'Stop'
	53008906	Pendant station (pistol grip)
	53008915	Nameplate (Up-Down)
	53008926	Tube
	53008931	Contactora
	53008979	Contactora element
	100-31-2	Spacer
	101-124-2	Fitting
	101-125-3	Hose
	101-126-2	Elbow
	101-130	Nipple Pipe
	101-152-2	Filter
	101-153-1	Lubricator assy
	101-206-1	Close nipple
	101-213	Connector
	102-242	Decal (UL)
	102-379	Decal (UL)
	102-92-1	Male plug
	102-94-1	Plughousing
	107-626	Washer
	119-5	Steel thimble
	119-6	Bolted clamp
	119-8	Shackle with safety pin
	126-490	Electric cable
	126-631	Cable gland
	139-22	Reducer bushing

Qty	PN	Description
	139-4	Air king connector
	42023658	Motorunit
	600-100	Decal (Compact 1000)
	600-101	Instruction decal (Compact 1000)
	600-102	Decal (Compact 1000 air)
	600-23	Handle
	600-90	End cap for capacitor
	600-91	Bracket for capacitor
	600-108	Air motor assy with Filter-Lubricator
	800-109	Decal (Controlled descent notice)
	800-16	Capacitor
	800-74	Bracket
	800-87	Beeline pipe clamp
	Use SN	Frame with stator