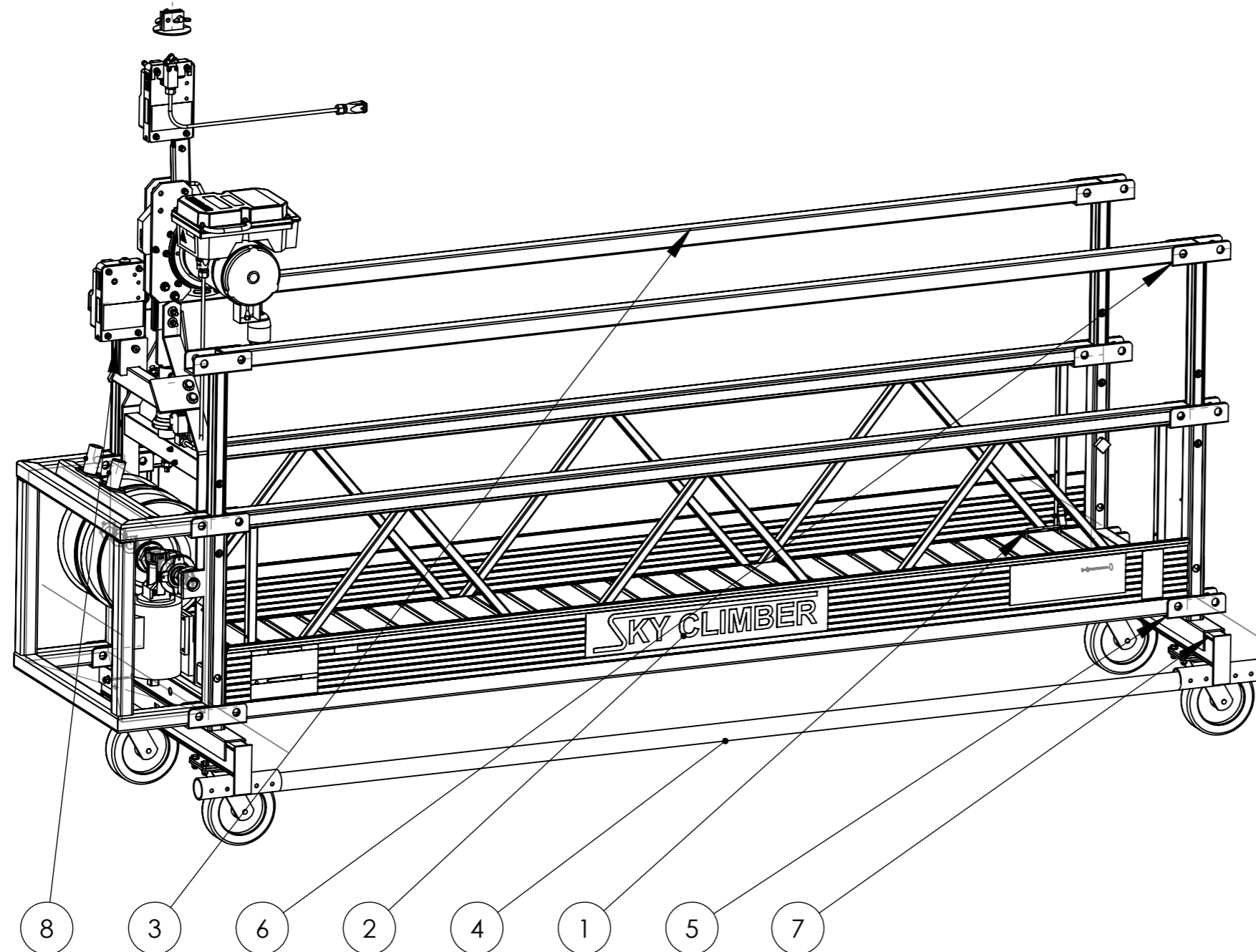


NOTES:
1. DIMENSIONS SHOWN IN [XX] ARE FOR REFERENCE ONLY.

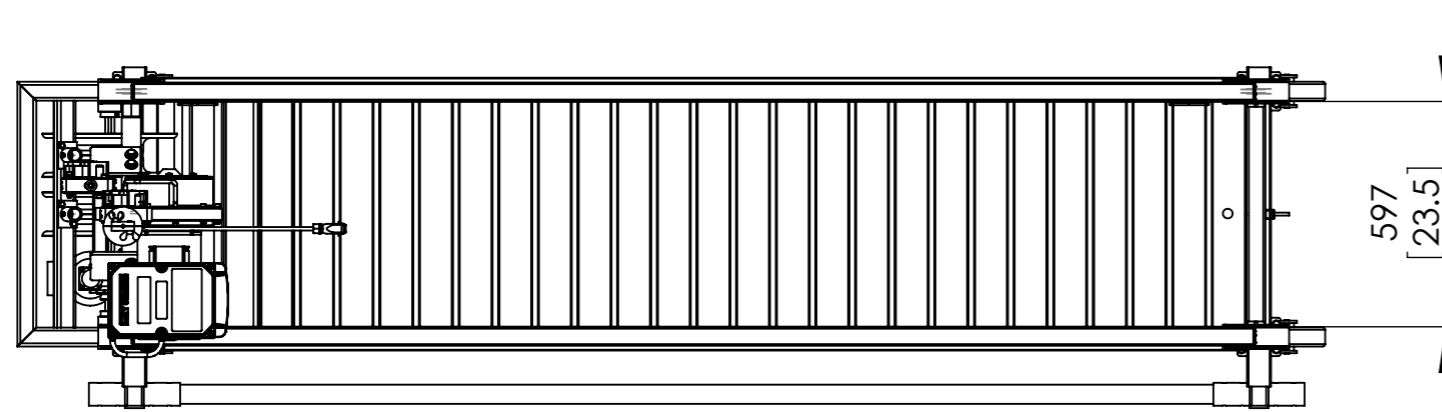
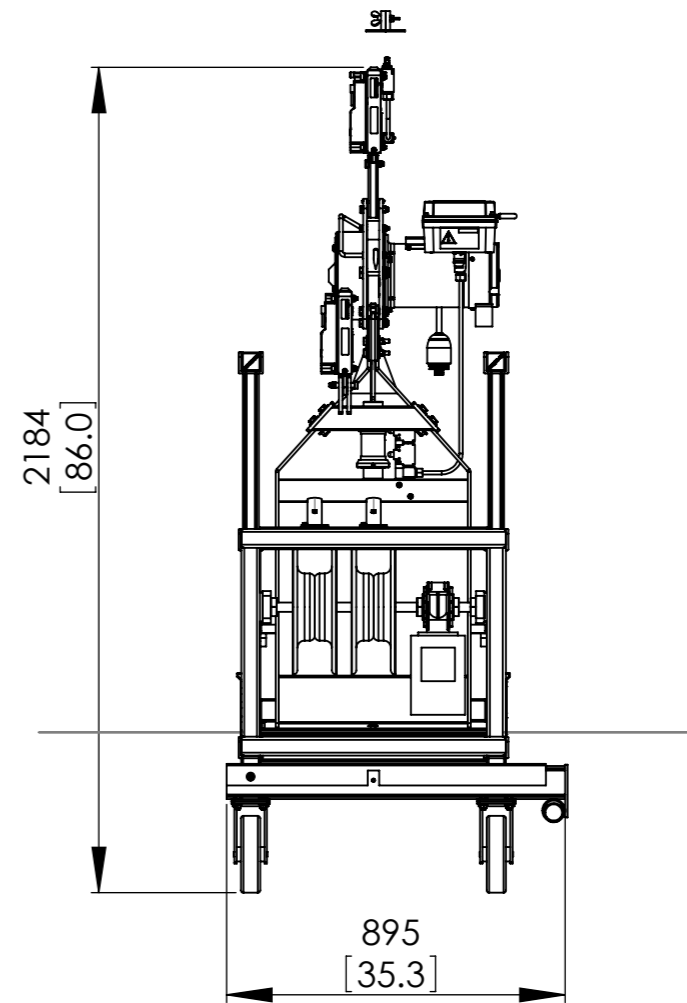
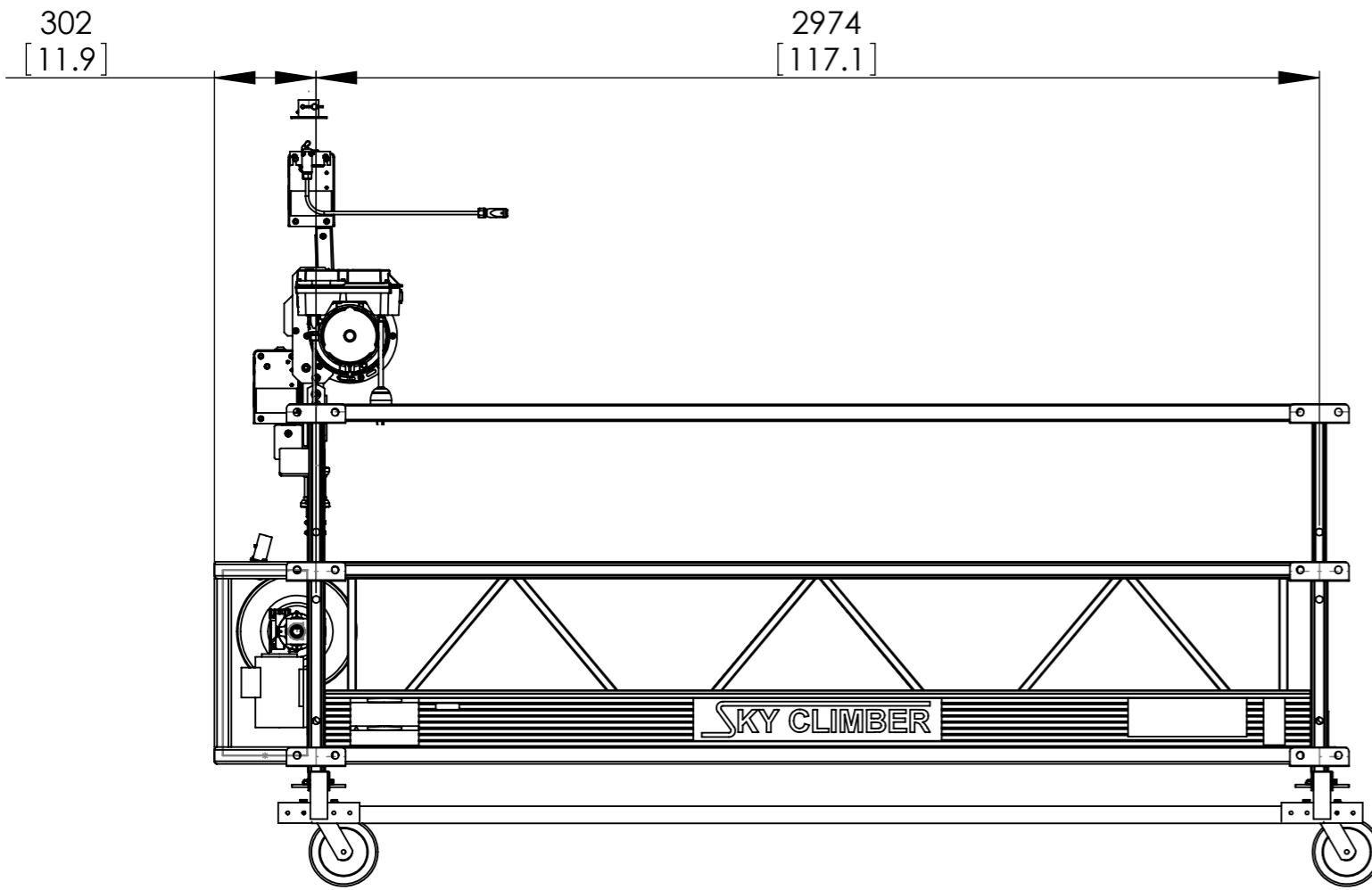
ITEM NO.	PART NUMBER	DESCRIPTION	3523300 LEFT/QTY.
1	360043	FLOOR PANEL - 3 METER	1
2	360035	3 METER SIDE PANEL	2
3	360149	TOP RAIL ASSEMBLY, 3 METER	2
4	3523- 3M TRIP BAR	3M TRIP BAR	1
5	360039	CONNECTION FRAME WELDMENT	2
6	360054	TELESCOPING POST WELDMENT	4
7	3523- CASTER TRIP BAR	TRIP BAR ASSEMBLY	2
8	3523- HOIST AND MOUNT	HOIST AND MOUNTING SYSTEM	1

LEFT HAND CONFIGURATION SHOWN-
RIGHT HAND CONFIGURATION PLACES HOIST ON OTHER END



DEBUR AND BREAK SHARP EDGES		
MATERIAL		
TREATMENT		NOTICE THE INFORMATION CONTAINED IN THIS DRAWING IS THE SOLE PROPERTY OF SKY CLIMBER. ANY REPRODUCTION IN PART OR WHOLE WITHOUT THE WRITTEN PERMISSION OF SKY CLIMBER IS PROHIBITED.
FINISH		
WEIGHT		3 METER LH END SECTION KIT
KG		
APPROVALS	DATE	UNLESS OTHERWISE STATED DIMENSIONS ARE IN MM [INCH] TOL. ISO 2768-m > 0,5 6 30 120 400 < 6 30 120 400 TOL. ±0.1 ±0.2 ±0.3 ±0.5 ±0.8
DRAWN BY		
CHECKED BY		MACHINED SURFACES 12,5 ISO 1302
APPROVED BY		
RAW MATERIAL NO.		FIRST ANGLE PROJECTION SCALE 1:15
CAD GENERATED DRAWING. DO NOT MANUALLY UPDATE.		
DWG. NO. 3523300		REV.
SIZE B/A3		DO NOT SCALE DRAWING. SHEET 1 OF 2

NOTES:
1. DIMENSIONS SHOWN IN [XX] ARE FOR REFERENCE ONLY.



NOTICE

THE INFORMATION CONTAINED IN THIS DRAWING IS THE SOLE PROPERTY OF SKY CLIMBER. ANY REPRODUCTION IN PART OR WHOLE WITHOUT THE WRITTEN PERMISSION OF SKY CLIMBER IS PROHIBITED.

3 METER LH END SECTION KIT

DWG. NO.	REV.
3523300	
SCALE	1:20
SIZE	B/A3
DO NOT SCALE DRAWING.	
SHEET 2 OF 2	

CAD GENERATED DRAWING. DO NOT MANUALLY UPDATE.



SCALE 1:20

SIZE B/A3

3523300

DO NOT SCALE DRAWING.

SHEET 2 OF 2