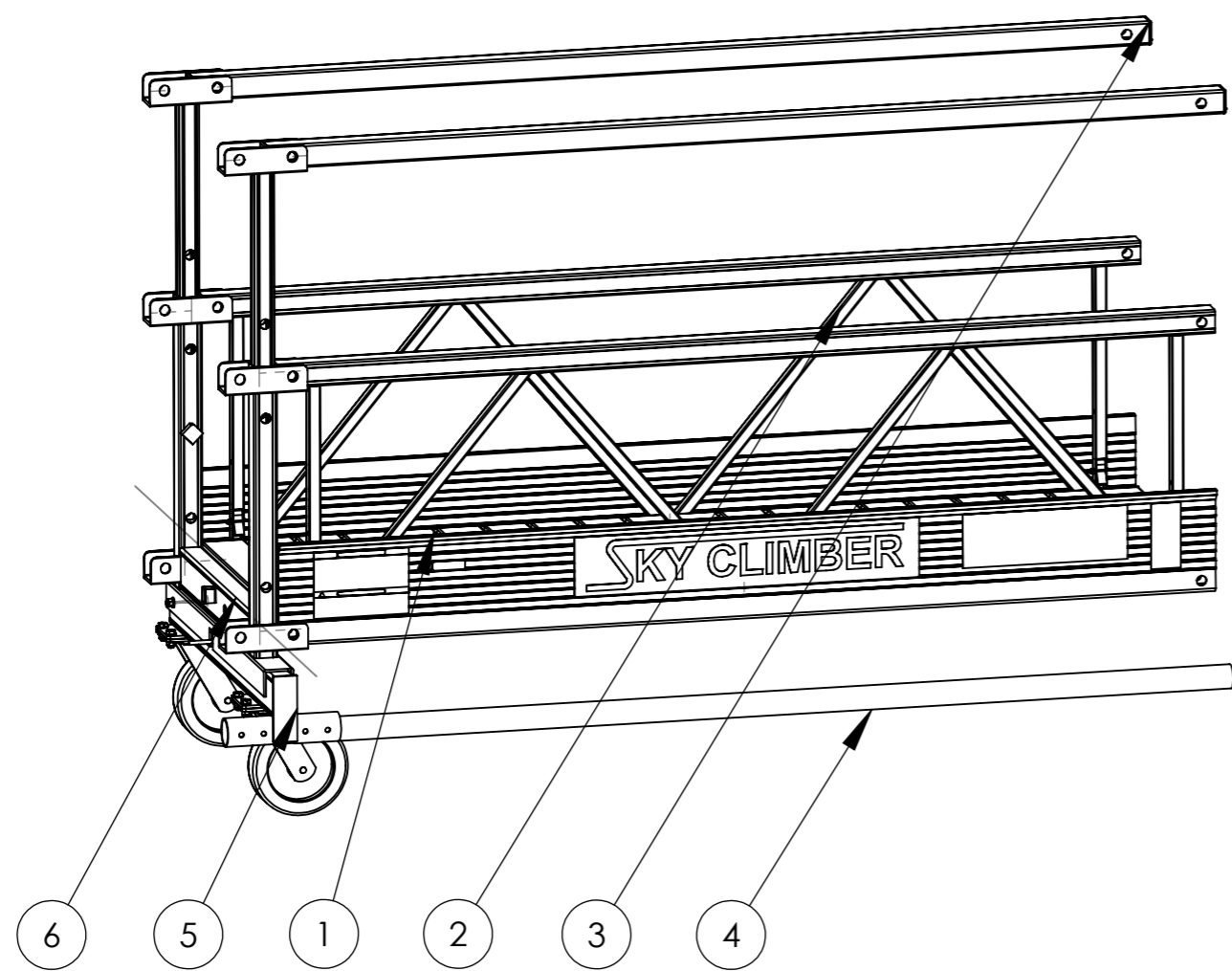


NOTES:  
 1. DIMENSIONS SHOWN IN [XX] ARE FOR REFERENCE ONLY.

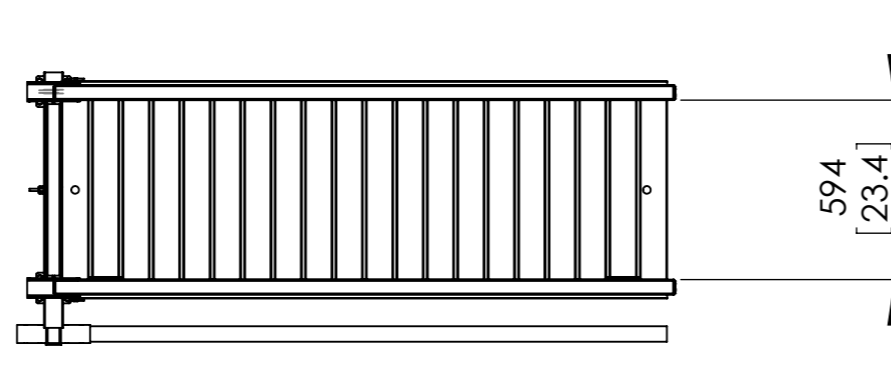
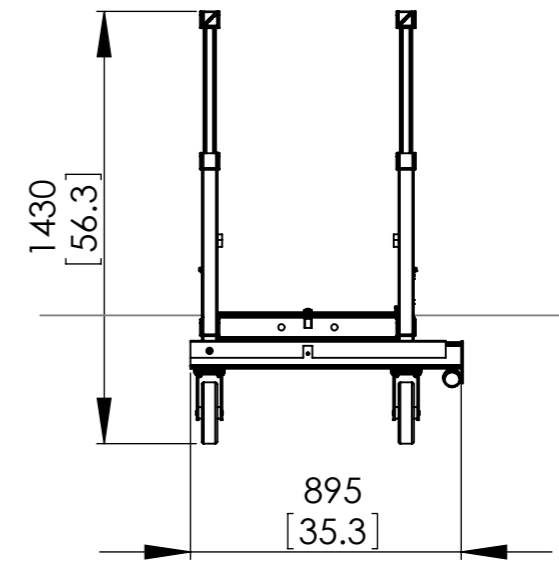
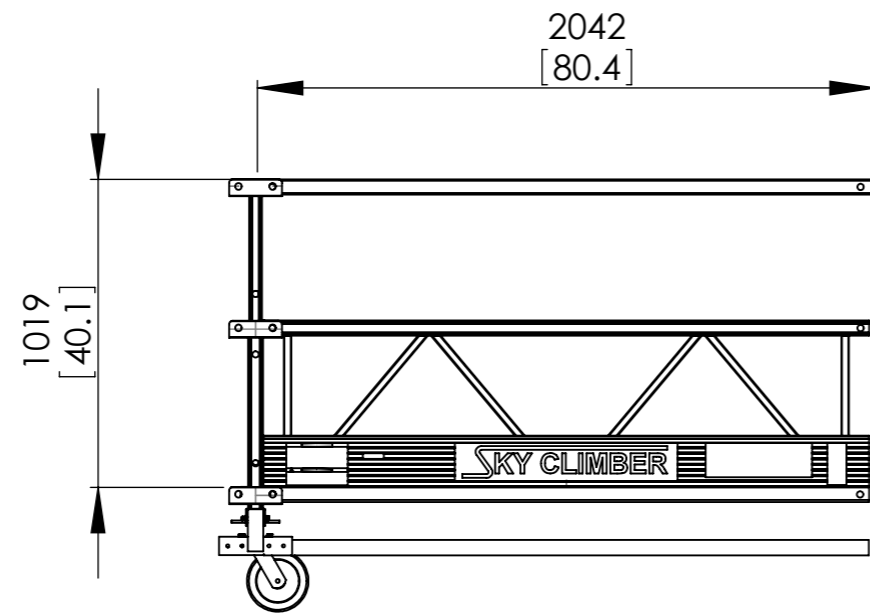
ITEM NO.	PART NUMBER	DESCRIPTION	3523200 LEFT/QTY.
1	360042	FLOOR PANEL - 2 METER	1
2	360033	SIDE PANEL - 2 METER	2
3	360148	TOP RAIL ASSEMBLY - 2 METER	2
4	3523- 2M TRIP BAR	2M TRIP BAR	1
5	3523- CASTER TRIP BAR	TRIP BAR ASSEMBLY	2
6	360039	CONNECTION FRAME WELDMENT	2
7	360054	TELESCOPING POST WELDMENT	4
8	3523- HOIST AND MOUNT	HOIST AND MOUNTING SYSTEM	1



<b>DEBUR AND BREAK SHARP EDGES</b>		
MATERIAL		
TREATMENT		<b>NOTICE</b> THE INFORMATION CONTAINED IN THIS DRAWING IS THE SOLE PROPERTY OF SKY CLIMBER. ANY REPRODUCTION IN PART OR WHOLE WITHOUT THE WRITTEN PERMISSION OF SKY CLIMBER IS PROHIBITED.
FINISH		
WEIGHT		<b>2 METER MID SECTION</b>
APPROVALS	DATE	
DRAWN BY	27 May 09	UNLESS OTHERWISE SPECIFIED, DIMENSIONS ARE IN [MM (INCH)] TOL. ISO 1768-11 > 30 120 400 ±0.1 ±0.2 ±0.3 ±0.5 ±0.8
CHECKED BY		
APPROVED BY		MACHINED SURFACES 12.5
RAW MATERIALS		
FIRST ANGLE PROJECTION		ISO 1302
SCALE		SCALE
1:15		DWG. NO. <b>3523500</b>
DO NOT SCALE DRAWING.		REV. <b>1</b>
SHEET 1 OF 2		

FOR REFERENCE ONLY

NOTES:  
1. DIMENSIONS SHOWN IN [XX] ARE FOR REFERENCE ONLY.



**NOTICE**  
THE INFORMATION CONTAINED IN THIS DRAWING IS THE SOLE PROPERTY OF SKY CLIMBER. ANY REPRODUCTION IN PART OR WHOLE WITHOUT THE WRITTEN PERMISSION OF SKY CLIMBER IS PROHIBITED.

2 METER SECTION

DWG. NO. **3523500** REV. **1**  
SIZE B/A3 DO NOT SCALE DRAWING. SHEET 2 OF 2

CAD GENERATED DRAWING. DO NOT MANUALLY UPDATE. FIRST ANGLE PROJECTION SCALE 1:25



D  
C  
B  
A

D  
C  
B  
A

8 7 6 5 4 3 2

8 7 6 5 4 3 2 1