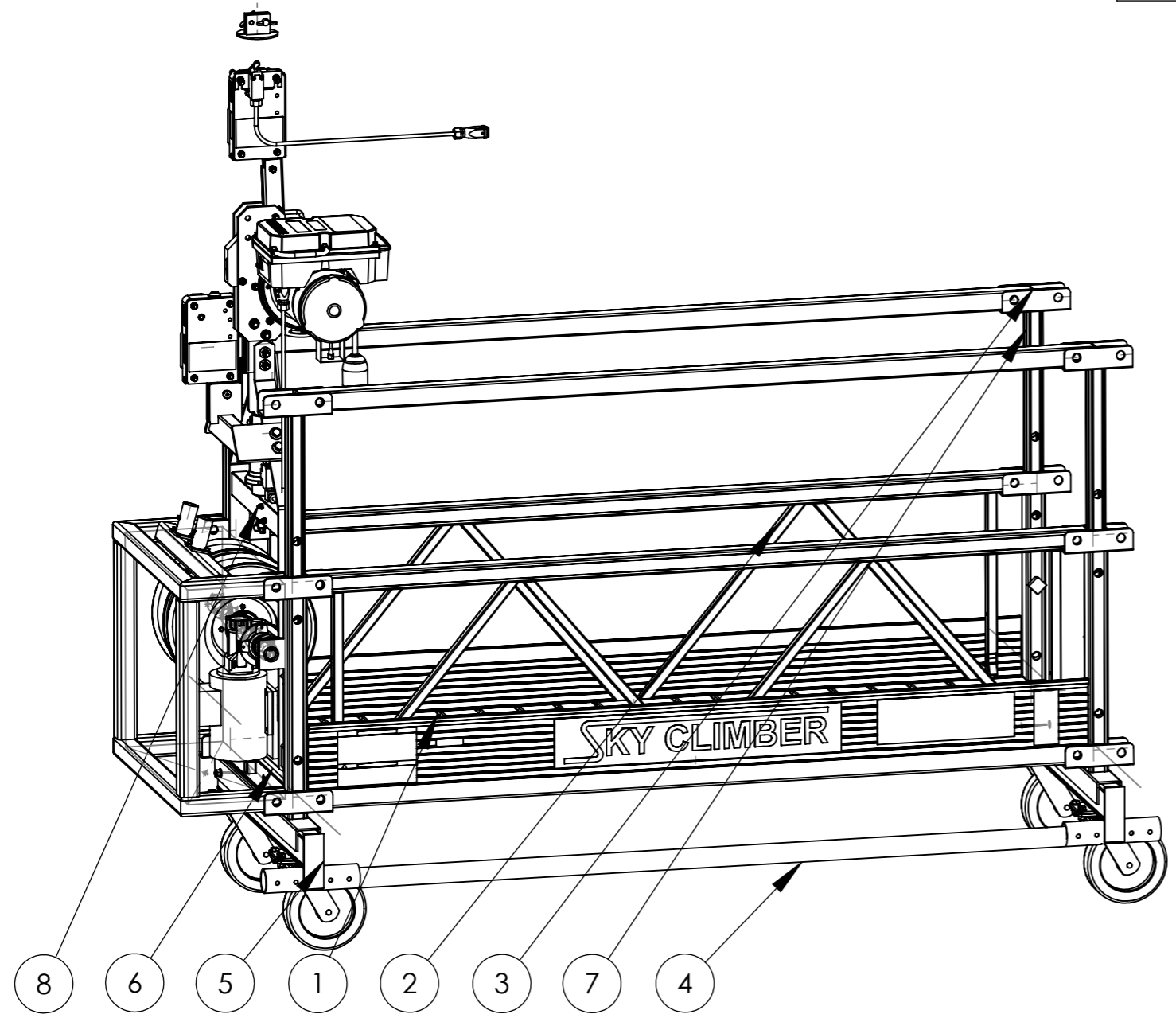


NOTES:  
1. DIMENSIONS SHOWN IN [XX] ARE FOR REFERENCE ONLY.

ITEM NO.	PART NUMBER	DESCRIPTION	3523200 LEFT/QTY.
1	360042	FLOOR PANEL - 2 METER	1
2	360033	SIDE PANEL - 2 METER	2
3	360148	TOP RAIL ASSEMBLY - 2 METER	2
4	3523- 2M TRIP BAR	2M TRIP BAR	1
5	3523- CASTER TRIP BAR	TRIP BAR ASSEMBLY	2
6	360039	CONNECTION FRAME WELDMENT	2
7	360054	TELESCOPING POST WELDMENT	4
8	3523- HOIST AND MOUNT	HOIST AND MOUNTING SYSTEM	1

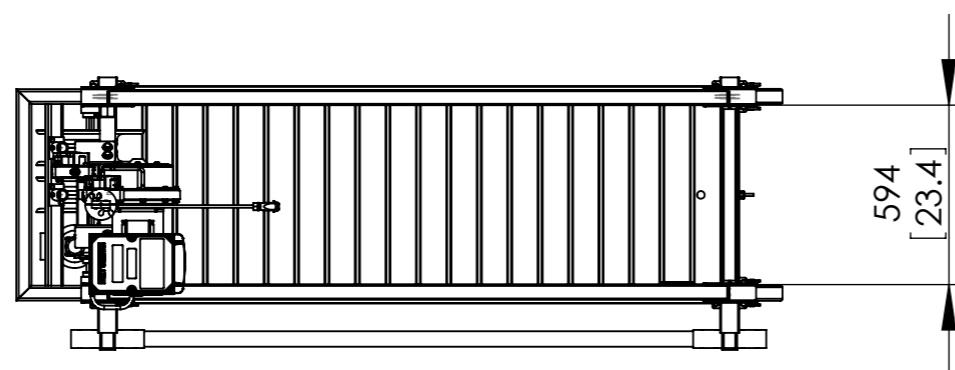
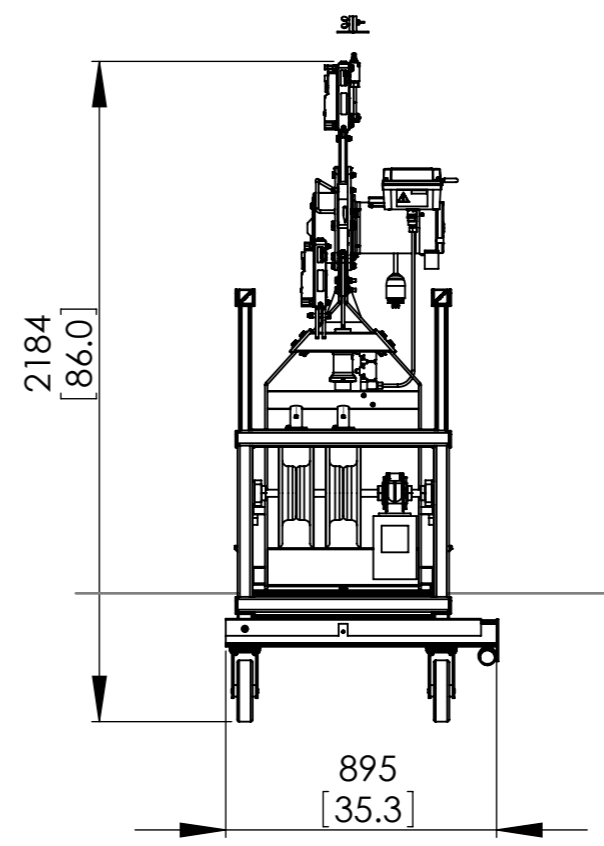
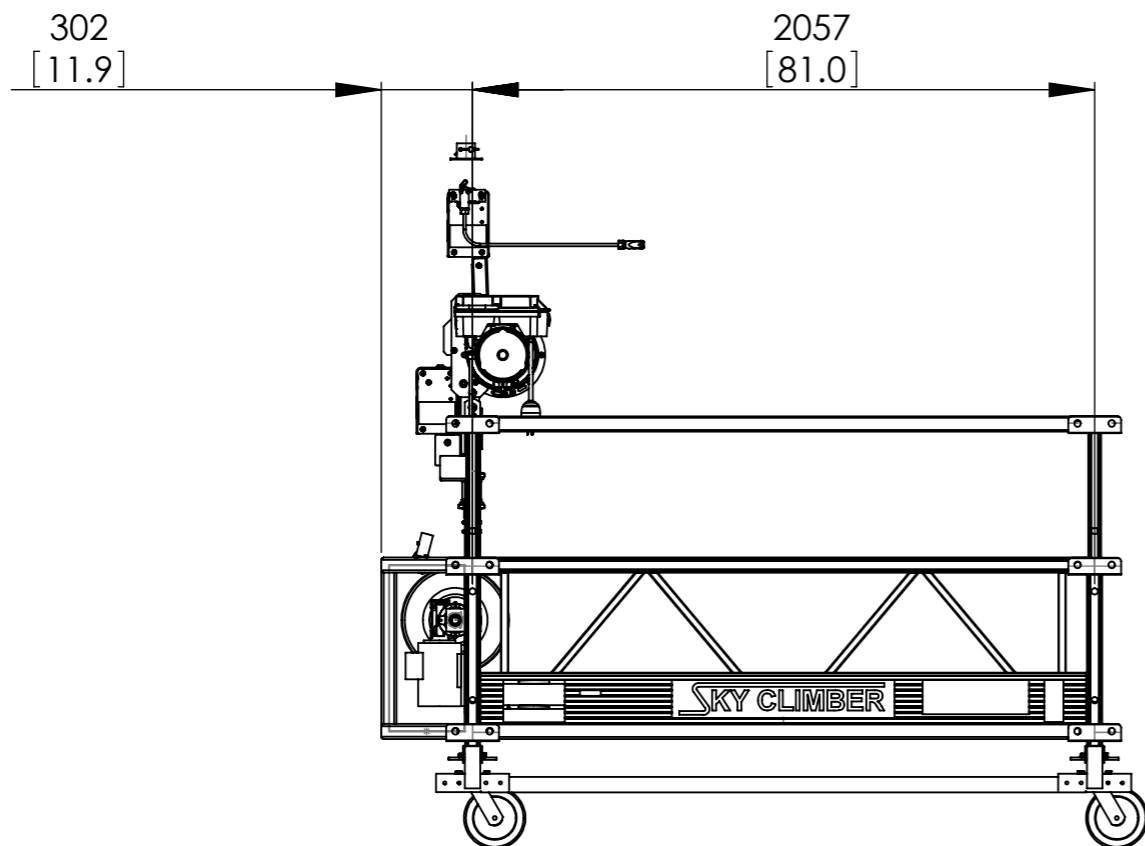
LEFT HAND CONFIGURATION SHOWN-  
RIGHT HAND CONFIGURATION PLACES HOIST ON OTHER END



<b>DEBUR AND BREAK SHARP EDGES</b>													
MATERIAL													
TREATMENT													
FINISH													
APPROVALS		<p><b>NOTICE</b></p> <p>THE INFORMATION CONTAINED IN THIS DRAWING IS THE SOLE PROPERTY OF SKY CLIMBER. ANY REPRODUCTION IN PART OR WHOLE WITHOUT THE WRITTEN PERMISSION OF SKY CLIMBER IS PROHIBITED.</p> <p><b>2 METER LH END SECTION</b></p>											
DATE	UNLESS OTHERWISE SPECIFIED, DIMENSIONS ARE IN [MM / INCH]												
DRAWN BY	TOL. ISO 1768-11												
CHECKED BY	<table border="1"> <tr> <td>&gt;</td> <td>30</td> <td>120</td> <td>400</td> </tr> <tr> <td>6</td> <td>30</td> <td>120</td> <td>400</td> </tr> <tr> <td>TYP.</td> <td>±0.1</td> <td>±0.2</td> <td>±0.3 ±0.5 ±0.8</td> </tr> </table>		>	30	120	400	6	30	120	400	TYP.	±0.1	±0.2
>	30	120	400										
6	30	120	400										
TYP.	±0.1	±0.2	±0.3 ±0.5 ±0.8										
APPROVED BY		<p>RAW MATERIALS</p> <p>12.5</p> <p>ISO 1302</p> <p>FIRST ANGLE PROJECTION SCALE</p> <p>1:15</p>											
DATE GENERATED DRAWING. DO NOT MANUALLY UPDATE.		<p>DWG. NO. <b>3523200</b></p> <p>REV. <b>1</b></p> <p>SIZE B/A3 DO NOT SCALE DRAWING. SHEET 1 OF 2</p>											

FOR REFERENCE ONLY

NOTES:  
1. DIMENSIONS SHOWN IN [XX] ARE FOR REFERENCE ONLY.



**NOTICE**  
THE INFORMATION CONTAINED IN THIS DRAWING IS THE SOLE PROPERTY OF SKY CLIMBER. ANY REPRODUCTION IN PART OR WHOLE WITHOUT THE WRITTEN PERMISSION OF SKY CLIMBER IS PROHIBITED.

2 METER LIFT  
SECTION  
FOR REFERENCE ONLY

CAD GENERATED DRAWING. DO NOT MANUALLY UPDATE.	FIRST ANGLE PROJECTION	SCALE	DWG. NO.	REV.
		1:25	3523200	1
		SIZE	DO NOT SCALE DRAWING.	
		B/A3	SHEET 2 OF 2	