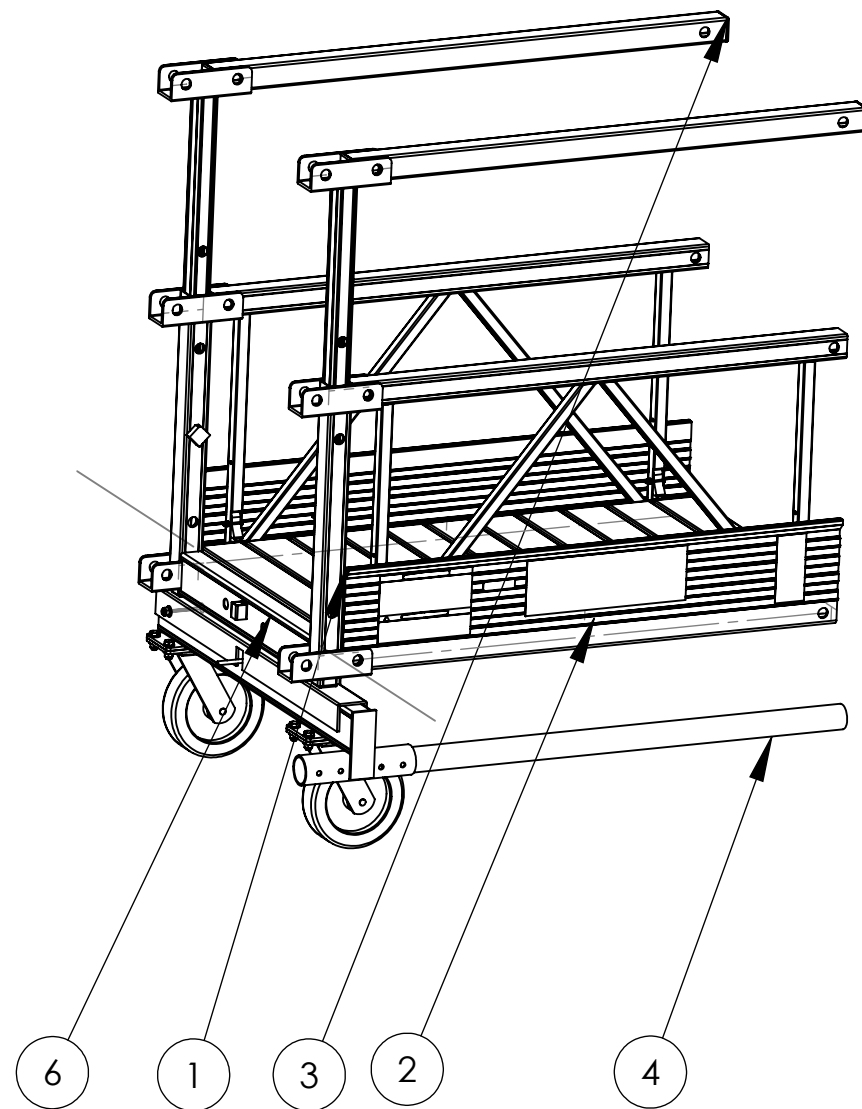



NOTES:  
 1. DIMENSIONS SHOWN IN [XX] ARE FOR REFERENCE ONLY.

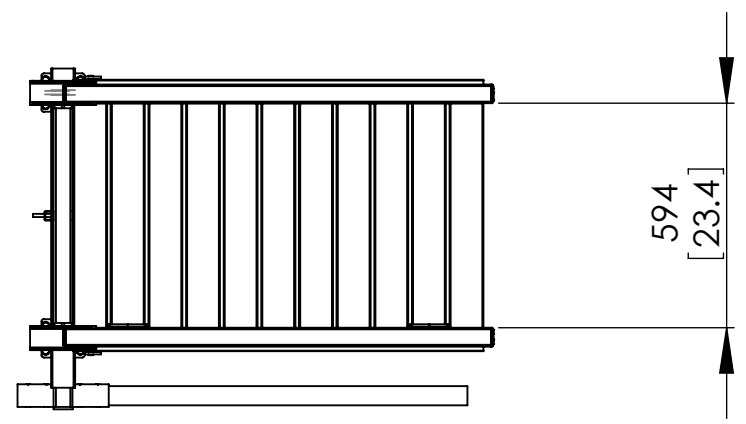
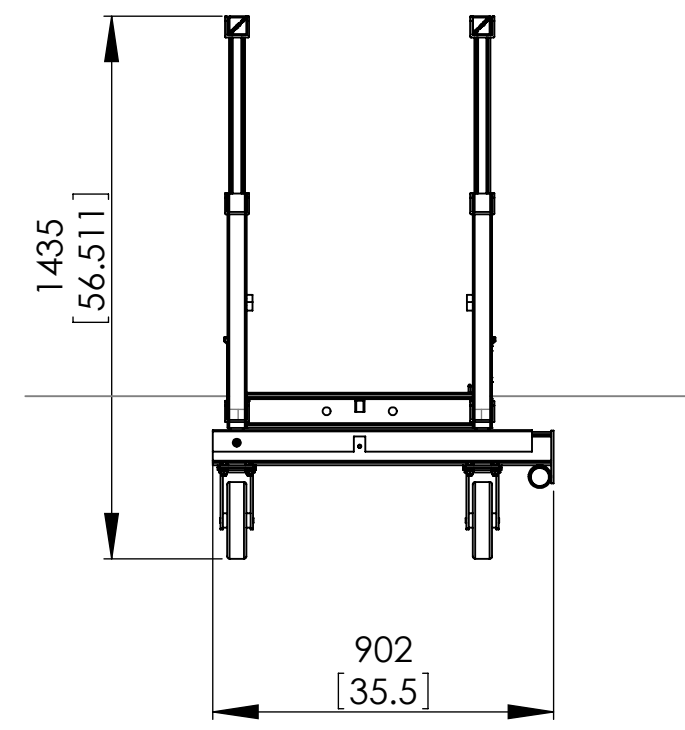
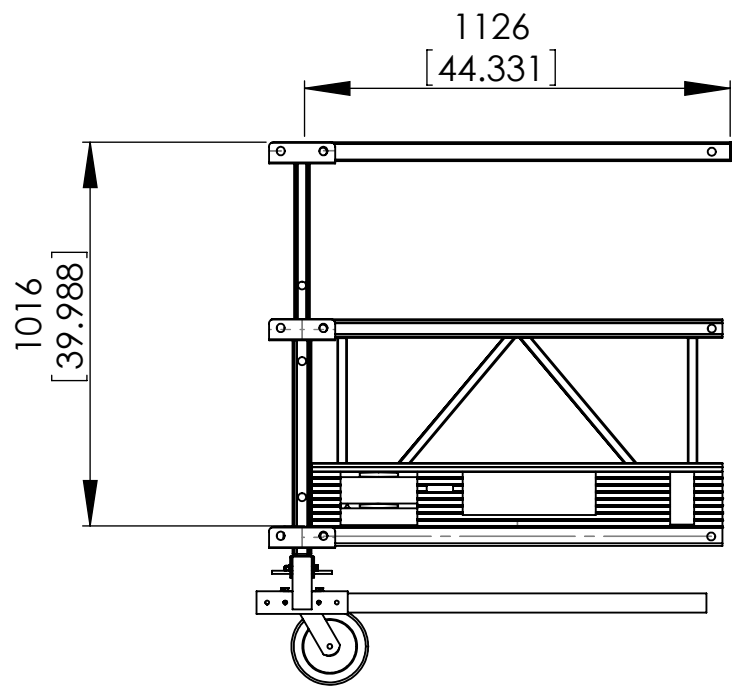
ITEM NO.	PART NUMBER	DESCRIPTION	3523100 LEFT/QTY.
1	360040	FLOOR PANEL - 1 METER	1
2	360031	1 METER SIDE PANEL	2
3	360146	TOP RAIL ASSEMBLY - 1 METER	2
4	3523- 1M TRIP BAR	1M TRIP BAR	1
5	360054	TELESCOPING POST WELDMENT	4
6	360039	CONNECTION FRAME WELDMENT	2
7	3523- CASTER TRIP BAR	TRIP BAR ASSEMBLY	2
8	3523- HOIST AND MOUNT	HOIST AND MOUNTING SYSTEM	1



<b>DEBUR AND BREAK SHARP EDGES</b>		 "Access Innovations Since 1955"
MATERIAL		
TREATMENT		<b>NOTICE</b> THE INFORMATION CONTAINED IN THIS DRAWING IS THE SOLE PROPERTY OF SKY CLIMBER. ANY REPRODUCTION IN PART OR WHOLE WITHOUT THE WRITTEN PERMISSION OF SKY CLIMBER IS PROHIBITED.
FINISH		
WEIGHT		<b>1 METER MID SECTION</b>
APPROVALS	DATE	
DRAWN BY	27 May 09	UNLESS OTHERWISE SPECIFIED, DIMENSIONS ARE IN [MM / INCH] TOL. ISO 1768-11 > 30 120 400 6 30 120 400 TV: ±0.1 ±0.2 ±0.3 ±0.5 ±0.8
CHECKED BY		
APPROVED BY		MACHINED SURFACES 12.5
RAW MATERIAL		
FIRST ANGLE PROJECTION		ISO 1302
SCALE		SCALE
1:15		DWG. NO. 3523400
DO NOT SCALE DRAWING.		REV. 1
SHEET 1 OF 2		

FOR REFERENCE ONLY

NOTES:  
1. DIMENSIONS SHOWN IN [XX] ARE FOR REFERENCE ONLY.



**NOTICE**  
THE INFORMATION CONTAINED IN THIS DRAWING IS THE SOLE PROPERTY OF SKY CLIMBER. ANY REPRODUCTION IN PART OR WHOLE WITHOUT THE WRITTEN PERMISSION OF SKY CLIMBER IS PROHIBITED.

1 METER REFERENCE SECTION

DWG. NO. **3523400** REV. **1**  
SIZE B/A3 DO NOT SCALE DRAWING. SHEET 2 OF 2

CAD GENERATED DRAWING. DO NOT MANUALLY UPDATE. FIRST ANGLE PROJECTION SCALE 1:20

