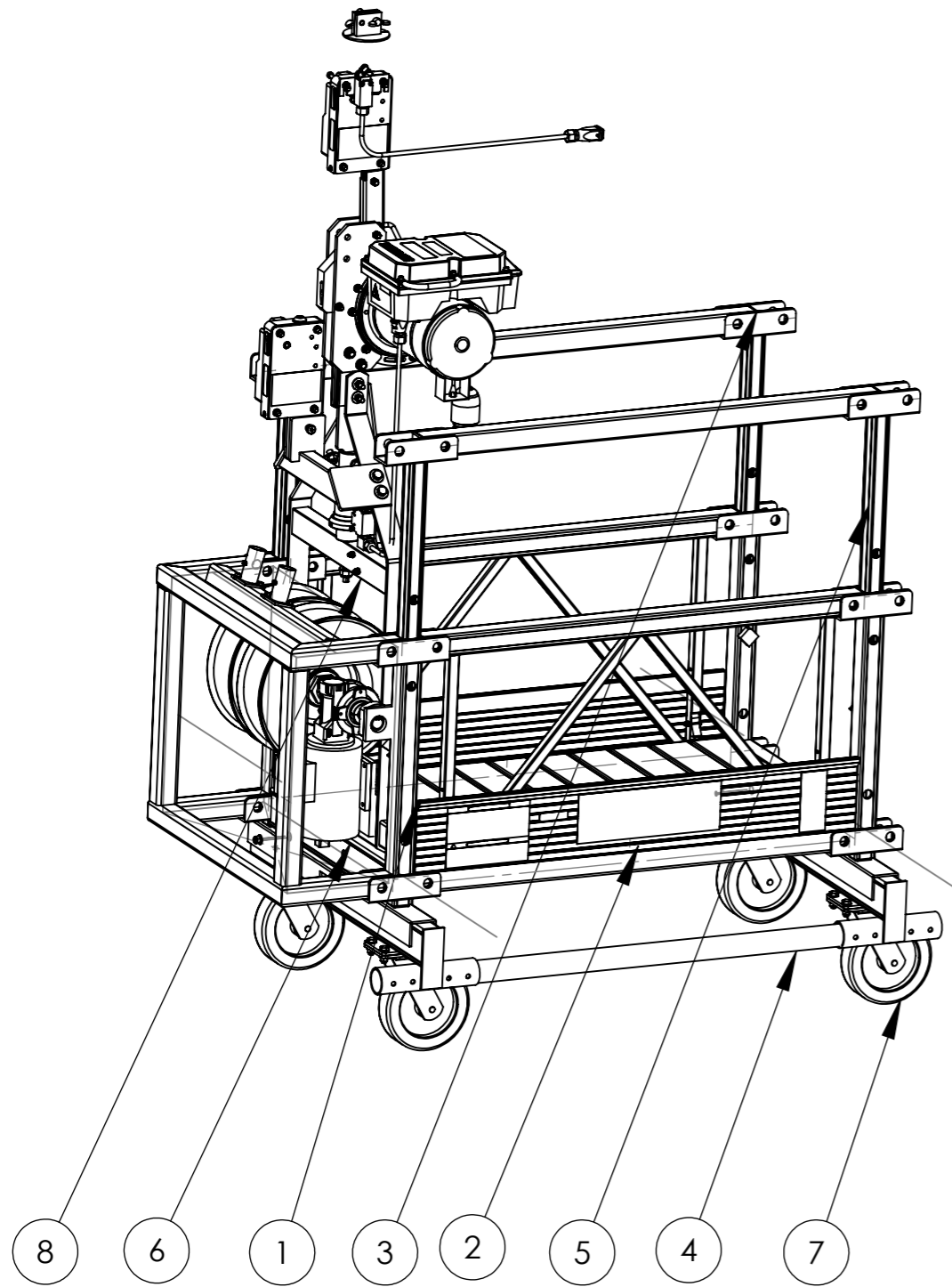



NOTES:
1. DIMENSIONS SHOWN IN [XX] ARE FOR REFERENCE ONLY.

LEFT HAND CONFIGURATION SHOWN-
RIGHT HAND CONFIGURATION PLACES HOIST ON OTHER END

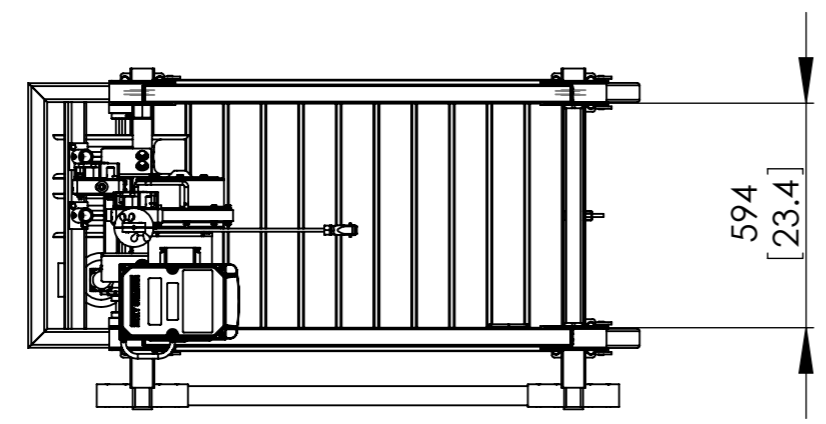
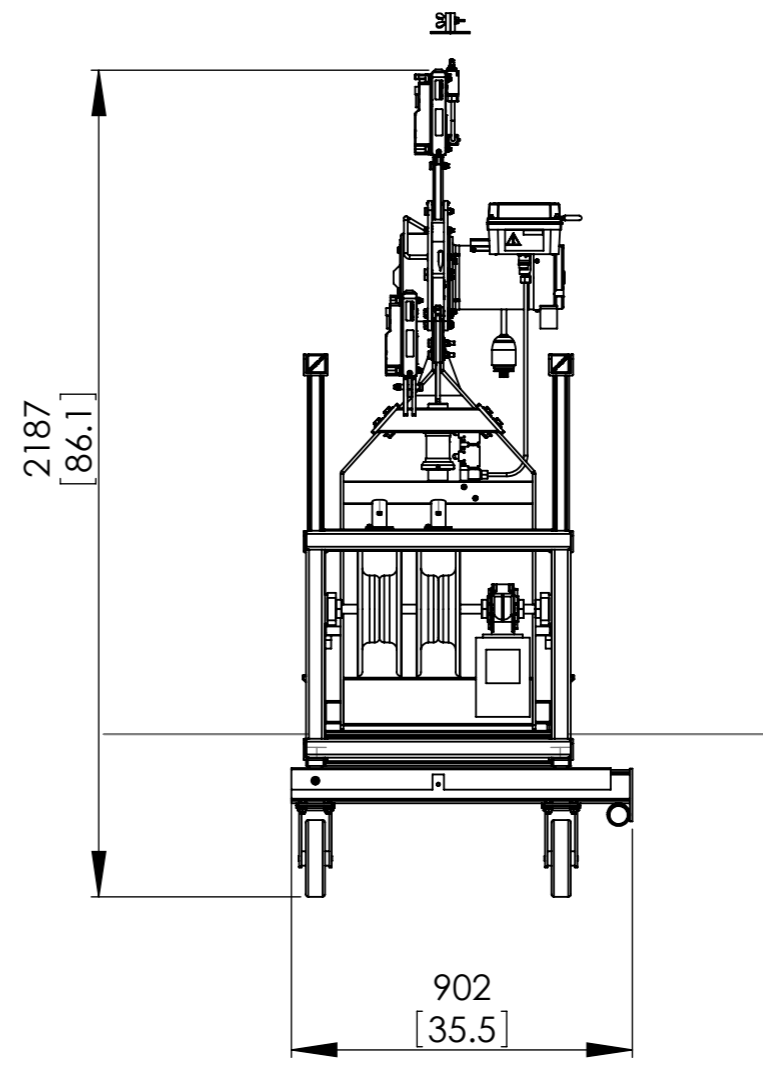
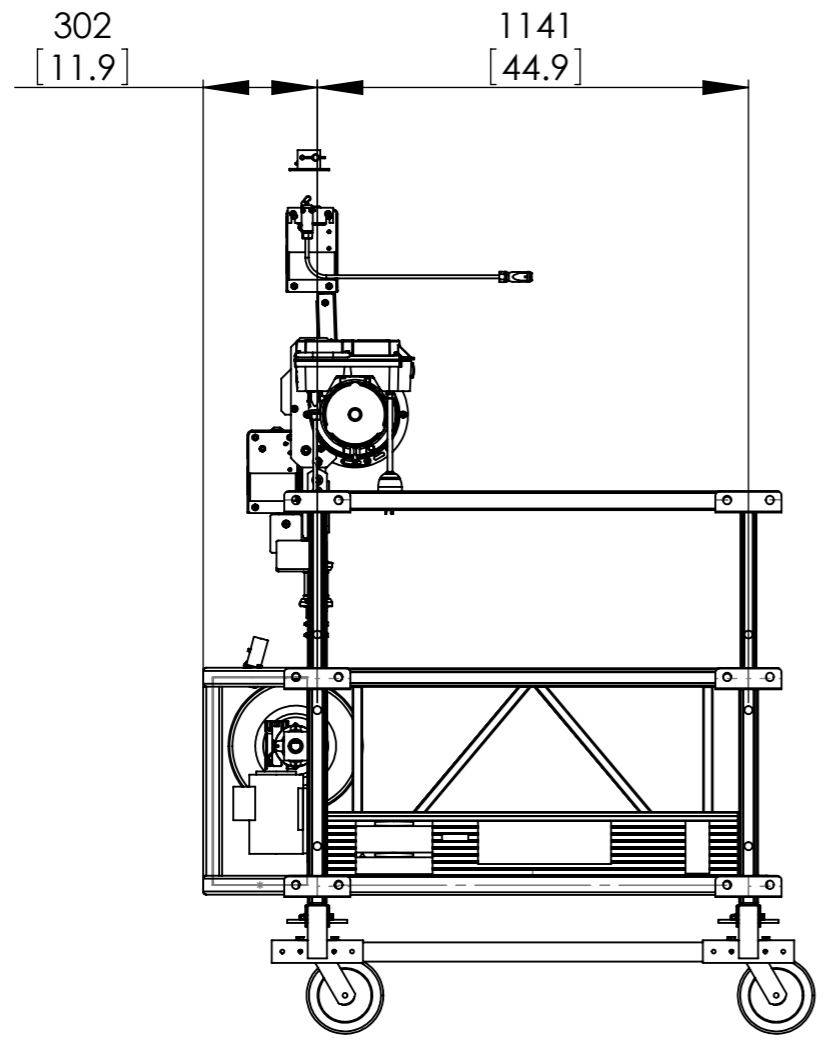


ITEM NO.	PART NUMBER	DESCRIPTION	3523100 LEFT/QTY.
1	360040	FLOOR PANEL - 1 METER	1
2	360031	1 METER SIDE PANEL	2
3	360146	TOP RAIL ASSEMBLY - 1 METER	2
4	3523- 1M TRIP BAR	1M TRIP BAR	1
5	360054	TELESCOPING POST WELDMENT	4
6	360039	CONNECTION FRAME WELDMENT	2
7	3523- CASTER TRIP BAR	TRIP BAR ASSEMBLY	2
8	3523- HOIST AND MOUNT	HOIST AND MOUNTING SYSTEM	1

DEBUR AND BREAK SHARP EDGES		 "Access Innovations Since 1955"	
MATERIAL			
TREATMENT		NOTICE THE INFORMATION CONTAINED IN THIS DRAWING IS THE SOLE PROPERTY OF SKY CLIMBER. ANY REPRODUCTION IN PART OR WHOLE WITHOUT THE WRITTEN PERMISSION OF SKY CLIMBER IS PROHIBITED.	
FINISH			
WEIGHT		1 METER LH END SECTION	
APPROVALS	DATE		
DRAWN BY	27 May 09	UNLESS OTHERWISE STATED, DIMENSIONS ARE IN [MM / INCH] TOL. ISO 2768-MS > 30 120 400 6 30 120 400 TV ±0.1 ±0.2 ±0.3 ±0.5 ±0.8	
CHECKED BY			
APPROVED BY		MACHINED SURFACES 12.5	
RAW MATERIALS			
FIRST ANGLE PROJECTION		ISO 1302	DWG. NO.
SCALE		1:15	3523100
DO NOT MANUALLY UPDATE.		SIZE	REV. 1
		B/A3	DO NOT SCALE DRAWING. SHEET 1 OF 2

FOR REFERENCE ONLY

NOTES:
1. DIMENSIONS SHOWN IN [XX] ARE FOR REFERENCE ONLY.



NOTICE
THE INFORMATION CONTAINED IN THIS DRAWING IS THE SOLE PROPERTY OF SKY CLIMBER. ANY REPRODUCTION IN PART OR WHOLE WITHOUT THE WRITTEN PERMISSION OF SKY CLIMBER IS PROHIBITED.

1 METER 1:20
SECTION
FOR REFERENCE ONLY