

SKY CLIMBER®

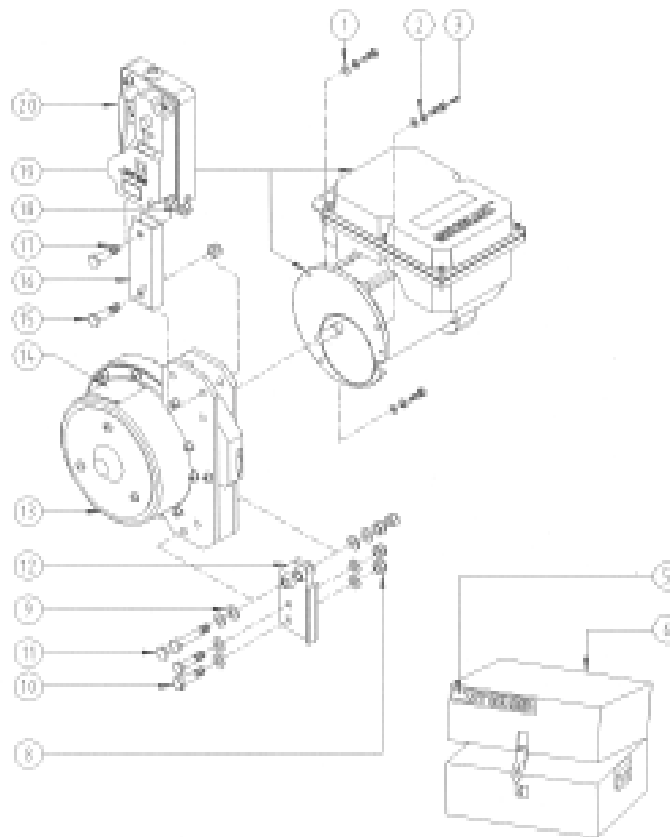


Compact 750 Hoist Exploded Views & Parts Manual

Sky Climber Corporate Office
1501 Rock Mountain Blvd.
Stone Mountain, Georgia 30083
Phone 770-939-7705
Fax 770-493-7392
Toll Free 800-255-4629
www.skyclimber.com

Item	Page	Item	Page
Hoist Kit -----	1	Control Box Assembly, Single Voltage -----	8
Traction Sheave Gearbox Assembly -----	2	Wiring Diagram, single Voltage -----	9
Housing Assembly -----	3	Single Voltage Pendant -----	10
Traction Sheave Assembly -----	4	Sptiznas Air Motor Assembly Parts -----	11
Motor Unit Assembly -----	4	Air Motor Gearbox Assembly -----	11
Electric Motor -----	5	Air Motor Assembly -----	12
Motor Brake Assembly -----	5	Air Motor Rotor Assembly -----	13
Control Box Assembly, Dual Voltage -----	6	Air Motor Brake Assembly -----	13
Wiring Diagram, Dual Voltage -----	7		

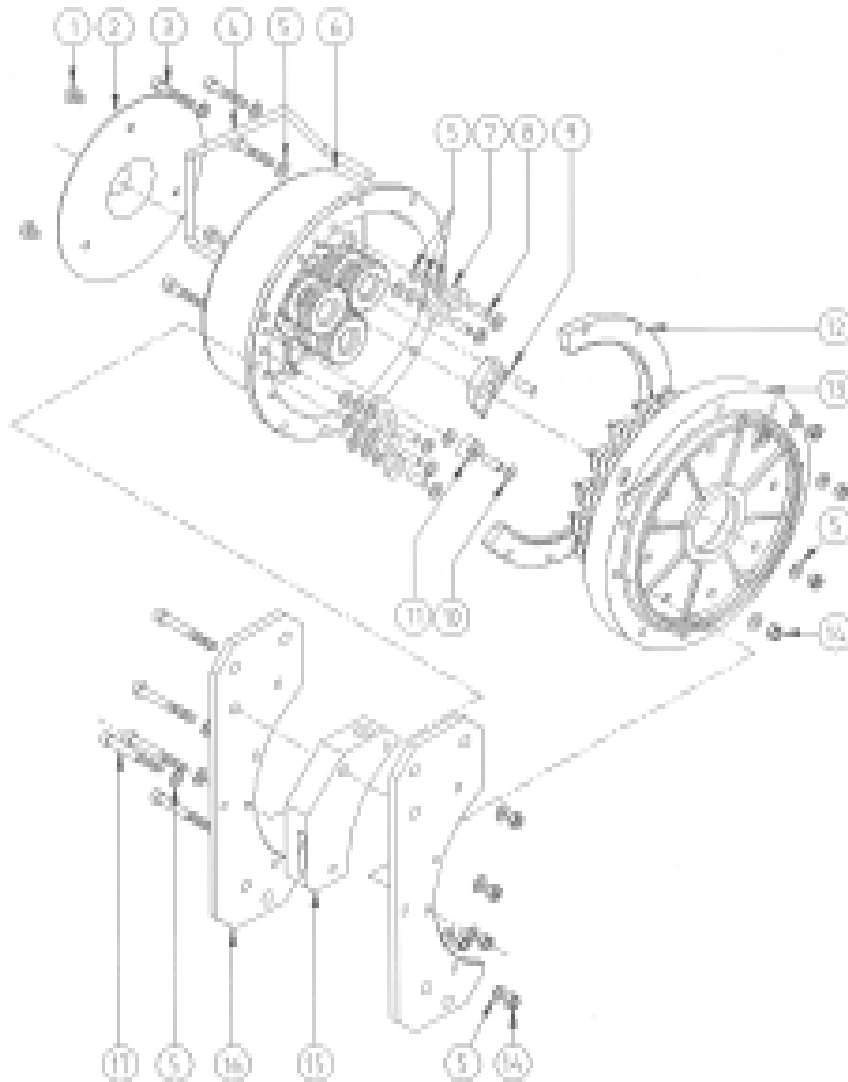
Hoist Kit



ITEM	PARTNO	QTY	DESCRIPTION	ITEM	PARTNO	QTY	DESCRIPTION
1	13000079	3	Washer	13	42009039	1	Tractionsheave-Gearbox Assy New
2	12000408	3	Spring Washer	14	600-8	1	Instruction Decal
3	11000325	3	Bolt	15	107-82	3	Shoulder Bolt
5	600-24	1	Decal	16	600-7	1	Sky Lock Link
6	800-6	1	Steel Box, (Optional)	17	107-856	1	Shoulder Bolt
8	100-180	2	Self Locking Nut	18	107-328	4	Nut
10	100-179-1	2	Bolt	19	600-32	1	Motor Unit Assembly, DV
12	42008079	1	Stirrup Strap	19b	600-65	1	Motor Unit Assy, SV
				20	56009839	1	Skylock III
					600-49	1	Air Motor Assembly (Not Shown)

Compact 750 Traction Sheave Gearbox Assembly

42009045



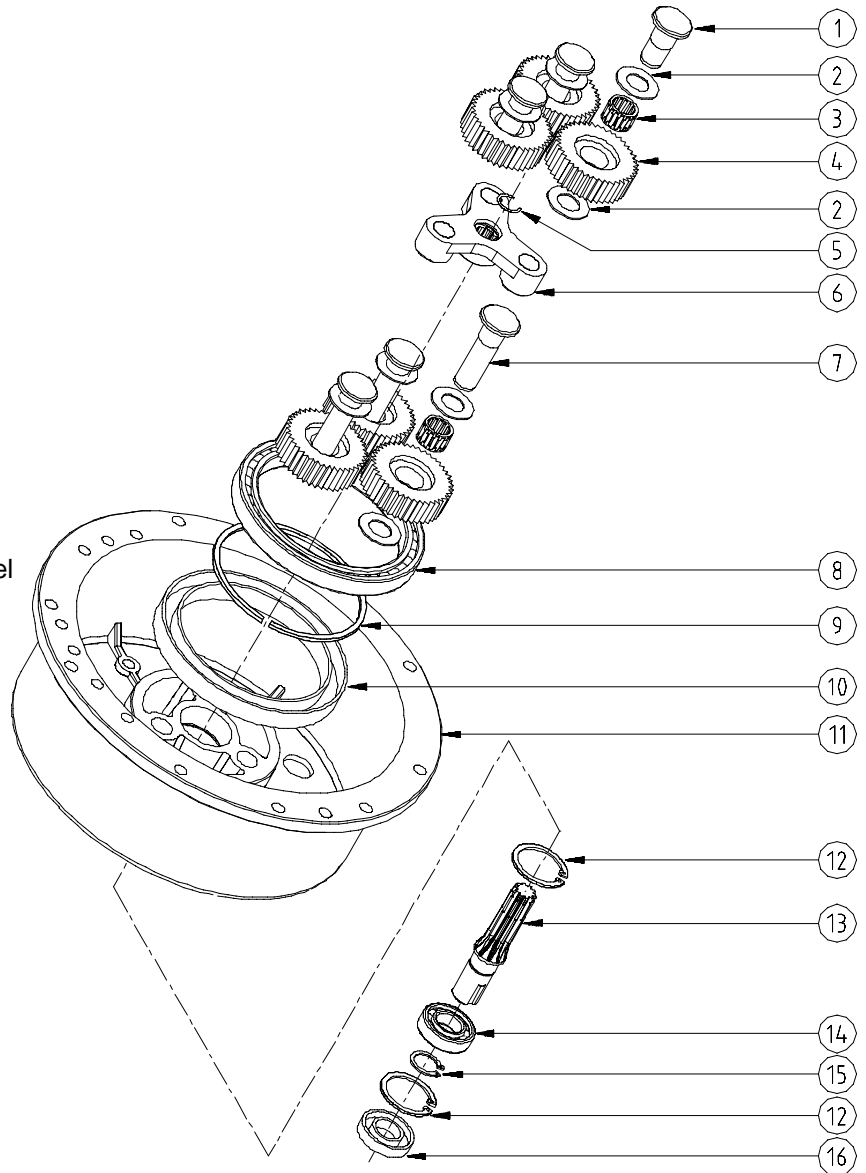
ITEM	PARTNO	QTY	DESCRIPTION	ITEM	PARTNO	QTY	DESCRIPTION
1	13000517	3	Screw	9	42008041	1	Entry Guide
2	42008070	1	Cover plate	10	13000098	1	Washer
3	11002345	4	Screw	11	26008590	1	Bearing
4	13000079	37	Washer	12	42008078	1	Guide Ring
5	600-23	1	Handle	13	See Pg. 4	1	Traction Sheave Assembly
	13000163	2	Nut for Handle (Not Shown)	14	13000163	10	Self Locking Nut
	13000079	4	Washers for Handle (Not Shown)	15	42008077	1	Cable Guiding
6	42009038	1	Gearbox Subassembly (See Pg. 3)	16	42008045	2	Mounting Strap
7	26008525	5	Bearing	17	11002370	4	Screw
8	12009095	24	Dowell Pin				

Compact 750

Housing Assembly

42009038

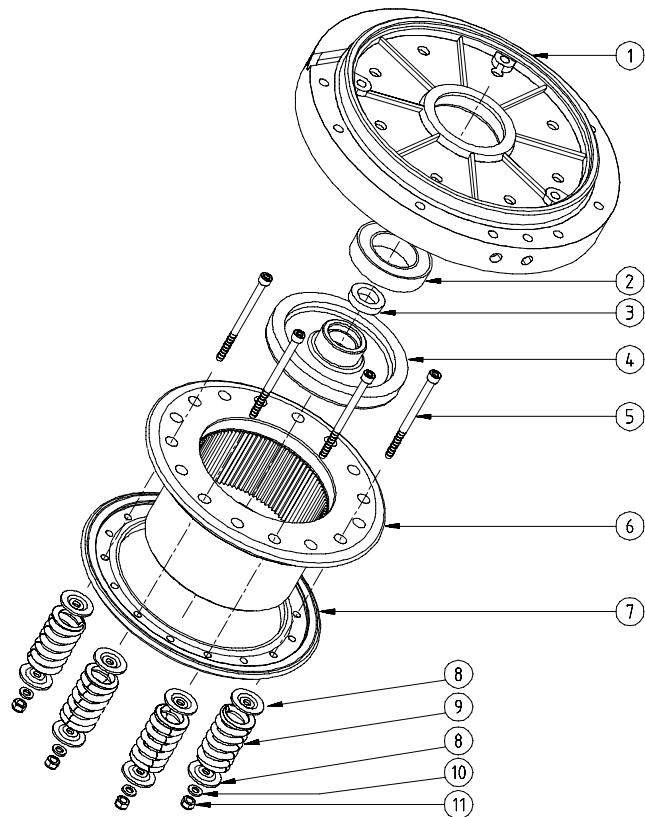
ITEM	PARTNO	QTY	DESCRIPTION
1**	42008034	3	Planet Bolt
2**	26008537	6	Axial Washer
3**	26008567	3	Needle Roller
4**	42008033	3	Planet Gear Wheel
5**	13000054	1	Safety Ring
6**	42008035	1	Planet Carrier
7*	42008032	3	Planet Bolt
8*	26008566	1	Ball Bearing
9*	13000053	1	Retaining Ring
10*	52008292	1	Oil Seal
11*	42008031	1	Housing
12	12002135	1	Retaining Ring
13	42008040	1	Shaft, Outside
14	26008569	1	Ball Bearing
15	12002135	1	Retaining Ring
16	52008294	1	Oil Seal
*	42009018	1	Housing Subassembly available for replacement in assembly
**	42009019	1	Planet Carrier Subassembly available for replacement in assembly only



Compact 750

Traction Sheave Assembly

ITEM	PARTNO	QTY	DESCRIPTION
1	42008044	1	Cover Housing
2	26008568	1	Ball Bearing
3	52008295	1	Oil Seal
4	42008037	1	Bearing Cover
5	11002290	16	Socket Screw
6	42008075	1	Drive Disc
7	42008074	1	Traction Sheave
8	42008039	32	Spring Guide
9	13000706	16	Pressure Spring
10	12000006	16	Washer
11	12005506	16	Self-locking Nut

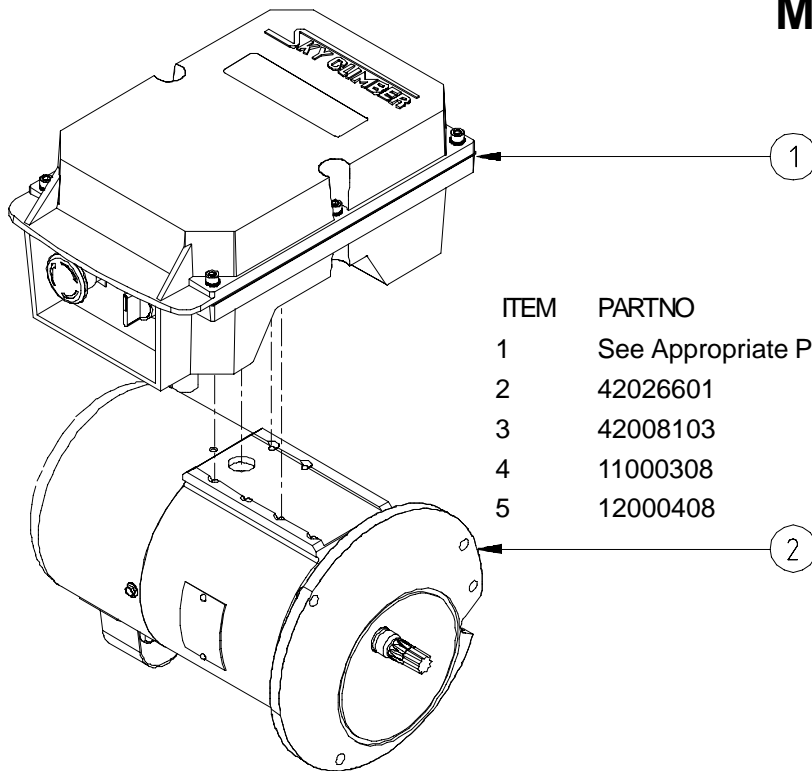


Motor Unit Assembly

600-32 DV

600-65 SV

600-75 SV Pendant



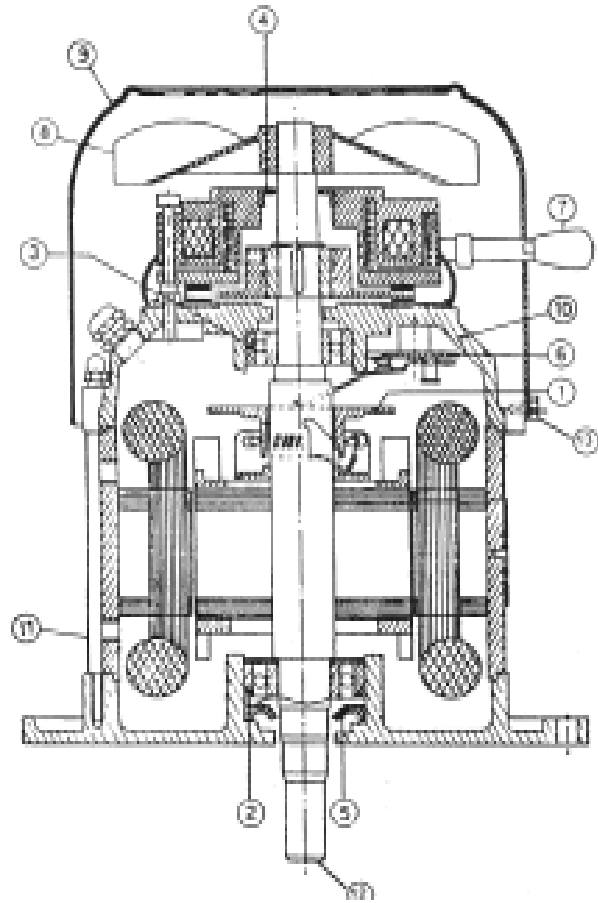
ITEM	PARTNO	QTY	DESCRIPTION
1	See Appropriate Page	1	Control Box Assembly
2	42026601	1	Motor 220 Volt
3	42008103	1	Support (Not Shown)
4	11000308	4	Bolt (Not Shown)
5	12000408	4	Washer (Not Shown)

Compact 750

Electric Motor

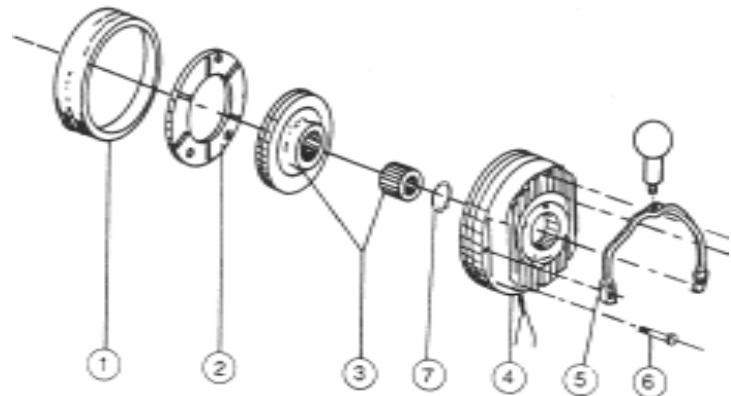
42026601

ITEM	PARTNO.	QTY	DESCRIPTION
1	41009106	1	Centrifugal Mechanism, Rotary Part
2	26008556	1	Ball Bearing
3	26008555	1	Ball Bearing
4	52008298	1	Seal
5	52009280	1	Seal
6	42009105	1	Centrifugal Mechanism, Fixed Part
7	41008212	1	Knob and Shaft
8	41008110	1	Fan
9	42008154	1	Fan guard
10	42008153	1	Motor End Bell
11	42008152	4	Tie Rod
12	42009104	1	Shaft & Rotor
13	11000004	1	Screw



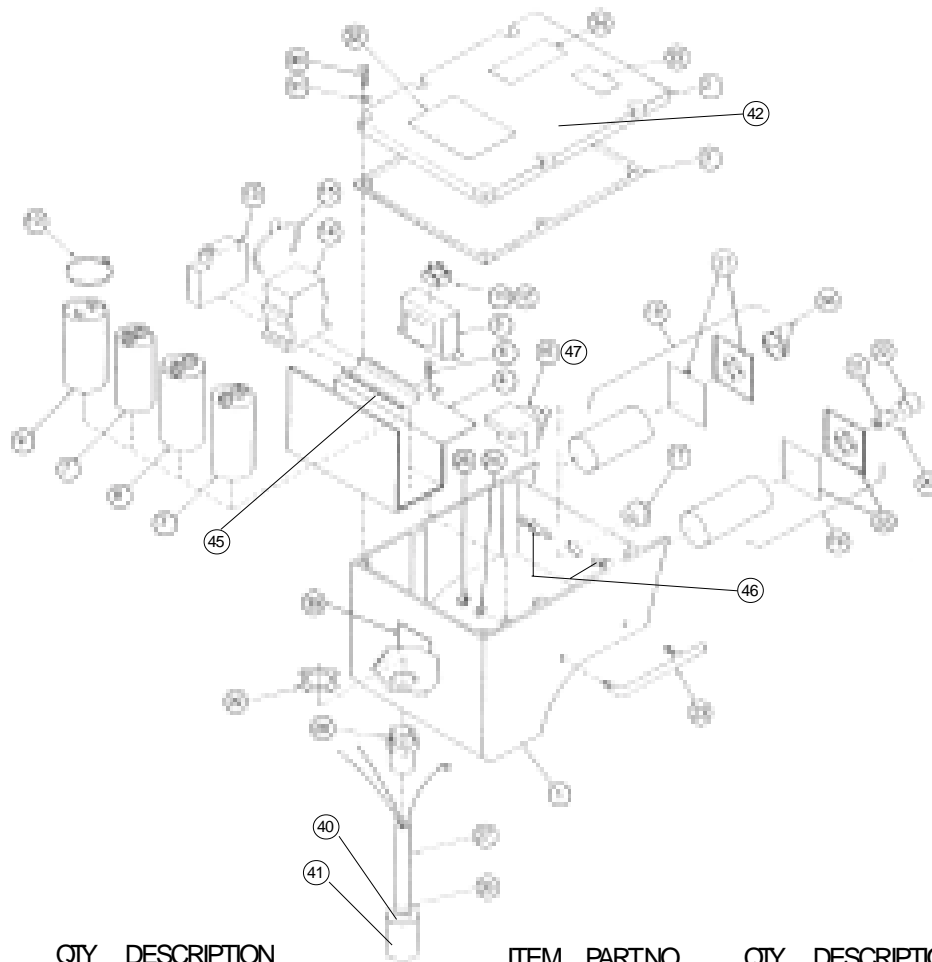
Motor Brake Assembly

ITEM	PARTNO.	QTY	DESCRIPTION
1	42008128	1	Dust cover
2	42008130	1	Brake disc
3	42008126	1	Rotor/friction disc
4	42009111	1	Coil
5	42008129	1	Release Handle
6	42008127	3	Set of Mounting Screws
7	12002015	1	Snap Ring



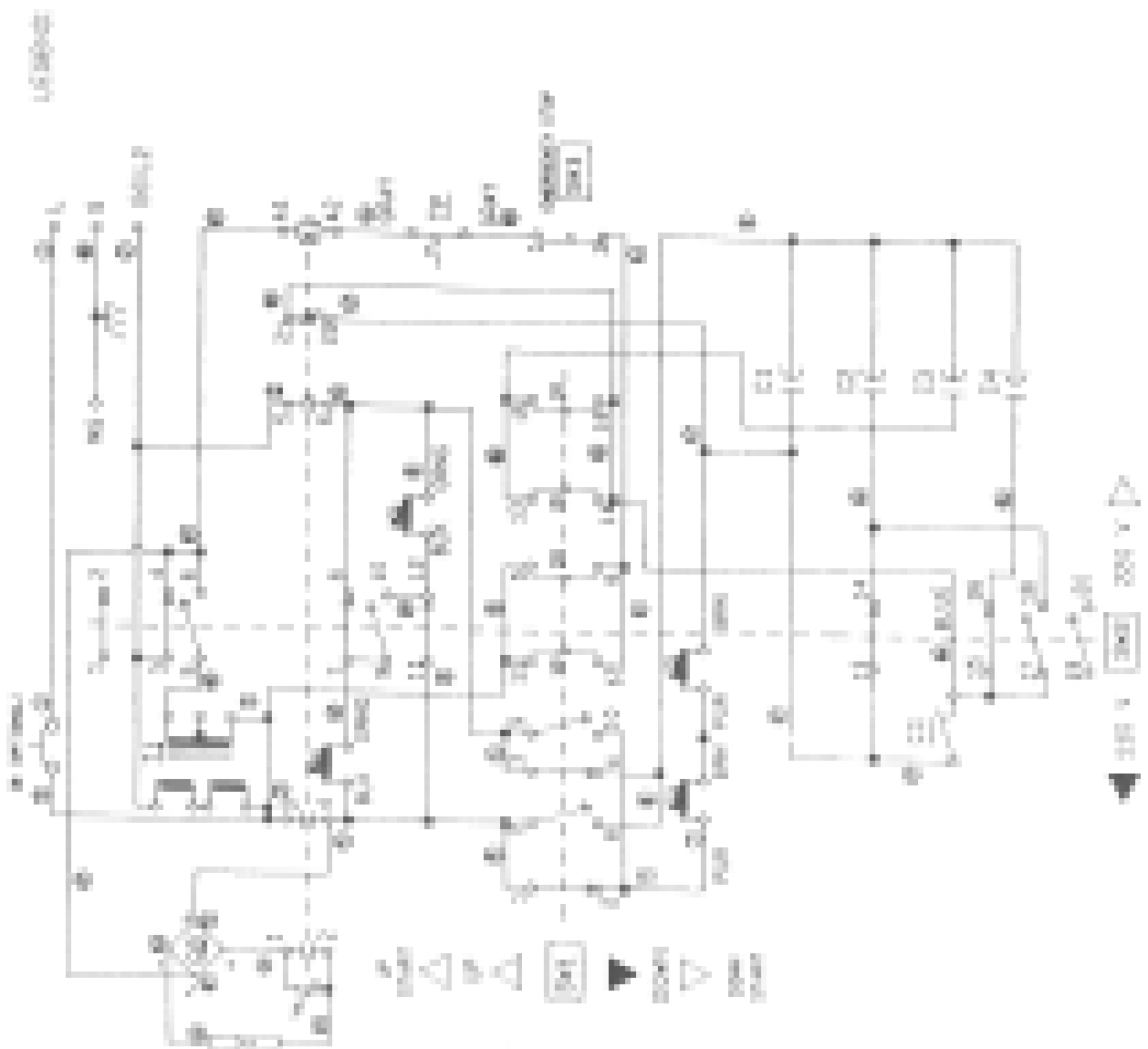
Compact 750

Control Box Assembly, DV



ITEM	PARTNO	QTY	DESCRIPTION	ITEM	PARTNO	QTY	DESCRIPTION
1	43008111-CDV	1	Electric Control box	25	12005506	2	Nut-M6
2	43008108	1	Control Box Cover	26	126-436	1	Label - 220V
3	43008105	1	Cover Gasket	27	126-490	1	30" Power Cord
4	800-24	1	Tray	28	102-90	1	Cord Connector
5	800-19	1	Transformer	29	102-324	1	Nut - Connector
6	107-1065	1	Screw	30	11002220	6	Screw
7	800-17	1	Capacitor	31	12000406	6	Washer
8	800-7	1	Capacitor	32	600-33	1	Decal - Nameplate
9	800-16	1	Capacitor	33	800-42	1	Decal - Voltage Select
10	126-504	8	Plastic tie	34	600-8	1	Decal - Instruction
11	53008847	1	Rectifier	35	800-109	1	Decal - Descent Notice
12	090674	15	Spade Terminal	36	126-569	1	Knob
13	800-14	1	Circuit Breaker (Optional)	37	126-597	1	Face Plate
14	800-10	1	Contactor with Auxiliary	38	126-602	1	Face Plate
15	41009114	1	Varsistor	39	800-37	1	Capacitor
16	126-522	1	Switch Block (53008376-Switch Only)	40	102-94-1	1	Cover
17	53008363	1	Stop Switch Button	41	107-92-1	1	Plug
18	126-541	1	Up-Down	42	600-35	1	Decal, Schematic
19	126-547	1	Voltage Select Switch	43	52008288	1	O-Ring
20	107-806	2	Set Screw	44	53008153	1	Nut, PG8 Threaded
21	126-555	1	Switch Activator	45	53008219	1	Din Rail
22	126-517	1	Cap	46	126-661	2	Gasket
23	800-128	1	Handle-Replacement	47	53008376	1	Switch
24	12000006	2	Washer		53008926	1	Threaded Tube (Not Shown)

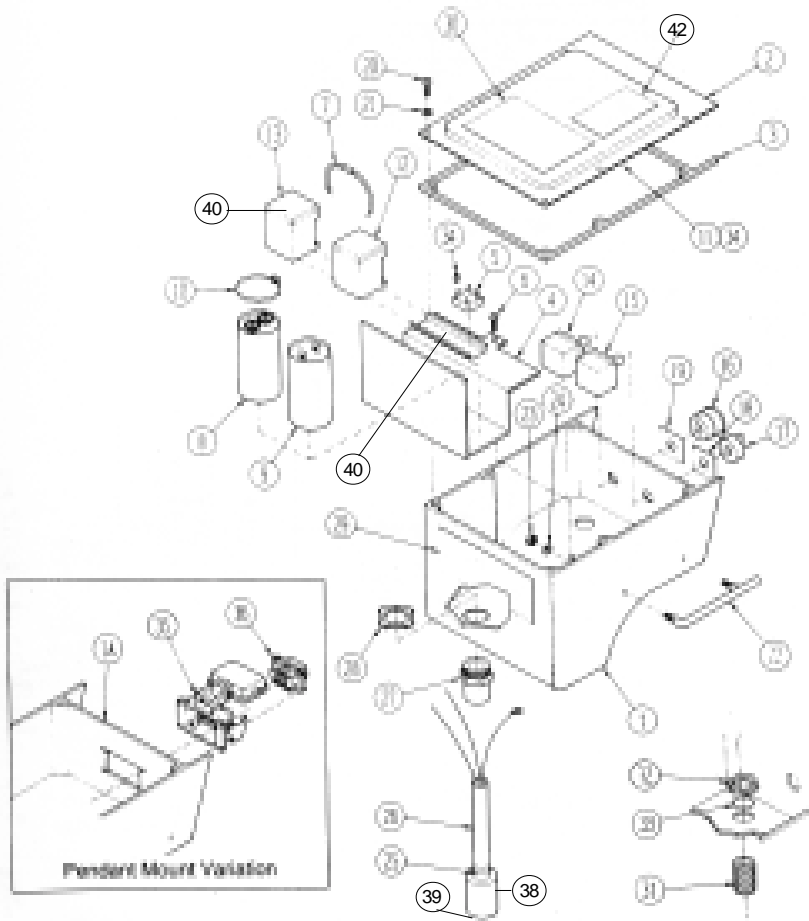
- 1. 120V AC
- 2. 240V AC
- 3. 120V AC
- 4. 240V AC
- 5. 120V AC
- 6. 240V AC
- 7. 120V AC
- 8. 240V AC
- 9. 120V AC
- 10. 240V AC
- 11. 120V AC
- 12. 240V AC
- 13. 120V AC
- 14. 240V AC
- 15. 120V AC
- 16. 240V AC
- 17. 120V AC
- 18. 240V AC
- 19. 120V AC
- 20. 240V AC
- 21. 120V AC
- 22. 240V AC
- 23. 120V AC
- 24. 240V AC
- 25. 120V AC
- 26. 240V AC
- 27. 120V AC
- 28. 240V AC
- 29. 120V AC
- 30. 240V AC
- 31. 120V AC
- 32. 240V AC
- 33. 120V AC
- 34. 240V AC
- 35. 120V AC
- 36. 240V AC
- 37. 120V AC
- 38. 240V AC
- 39. 120V AC
- 40. 240V AC
- 41. 120V AC
- 42. 240V AC
- 43. 120V AC
- 44. 240V AC
- 45. 120V AC
- 46. 240V AC
- 47. 120V AC
- 48. 240V AC
- 49. 120V AC
- 50. 240V AC



Compact 750

Control Box Assembly

Single Voltage



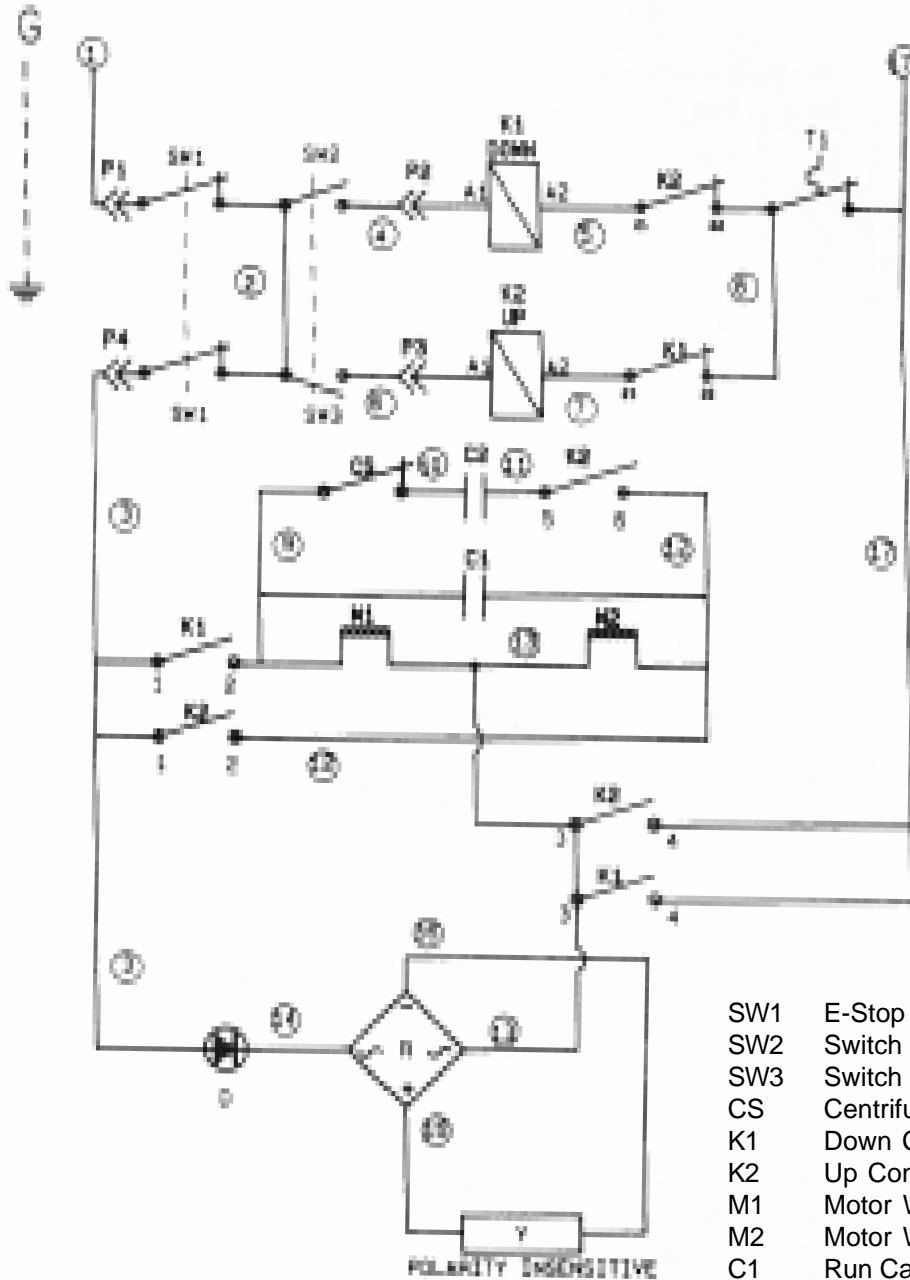
ITEM	PARTNO	QTY	DESCRIPTION	ITEM	PARTNO	QTY	DESCRIPTION
1	43008111-CSV	1	Electric Control Box, Compact 750, Std Control	21	12000406	6	Washer
1A*	43008111-CSVP1	1	Electric Control Box, Pendant Mount Control	22	800-128	1	Handle
2	43008108	1	Control Box Cover	23	12005506	2	Nut
3	43008105	1	Cover Gasket	24	12000006	2	Washer
4	420081031	1	Tray	25	126-436	1	Label 220V
5	53008847	1	Bridge Rectifier	26	126-498	1	36" Power Cord
6	107-1069	1	Screw	27	102-90	1	Cord Connector
7	090335	1	Breakdown recitifer	28	102-324	1	Nut-Connector
8	800-17	1	Capacitor, 40mf	29	800-109	1	Decal - Decent Notice
9	800-37	1	Capacitor, 130-156mf	30	600-62	1	Decal - Compact 750 Single Voltage
10	126-504	4	Plastic tie	31	53008926	1	Threaded Tube
10b	126-505	4	Tie Anchor	32	53008153	1	Nut, Pg 8 Thread
11	600-61	1	Decal, Compact 750 Single Volt Schematic	33	52008288	1	O-Ring
12	126-570	1	Up Contactor	34	090674	11	Spade Terminal
13	126-570	1	Down Contactor	35*	126-579	1	Pendant Receptacle (With Cover and Gasket)
14	53008377	1	Switch Block, E-Stop	36*	126-578	1	6-Pin Female Connector
15	53008369	1	Switch Block, Directional	37	800-118	1	Decal-Nameplate
16	53008368	1	Directional Switch Operator	38	102-94-1	1	Cover
17	53008363	1	Emergency Stop Operator	39	102-92-1	1	Plug
18	12009240	1	Directional Label Up/Down	40	53008219	1	Din Rail
19	53008896	1	E-Stop Switch Nameplate	41	53008417	2	Contact Bloc
20	11002220	6	Screw	42	600-8	1	Decal, Instructions

*Used on Compact 750 Pendant Mount only

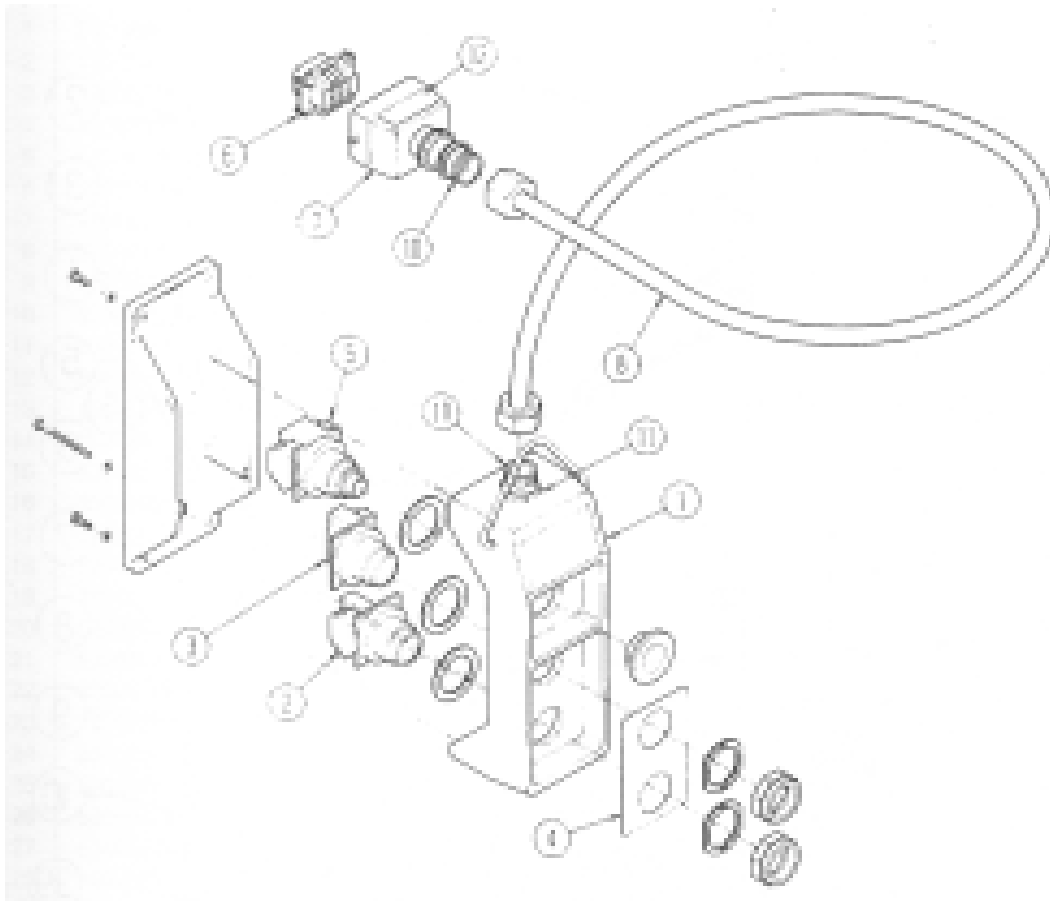
Compact 750

Wiring Diagram

Single Voltage



- SW1 E-Stop Switch Contact
 - SW2 Switch Down Contact
 - SW3 Switch Up Contact
 - CS Centrifugal Switch
 - K1 Down Contactor
 - K2 Up Contactor
 - M1 Motor Winding
 - M2 Motor Winding
 - C1 Run Capacitor (30 UF)
 - C2 Start Cap (130-156 UF)
 - A Bridge Rectifier
 - Y Brake Coil
 - G Ground
 - T1 Thermal Overload
 - D Breakdown Diode
 - P Pendant Pins
- NOTE: The pendant pins are present only on units using a pendant

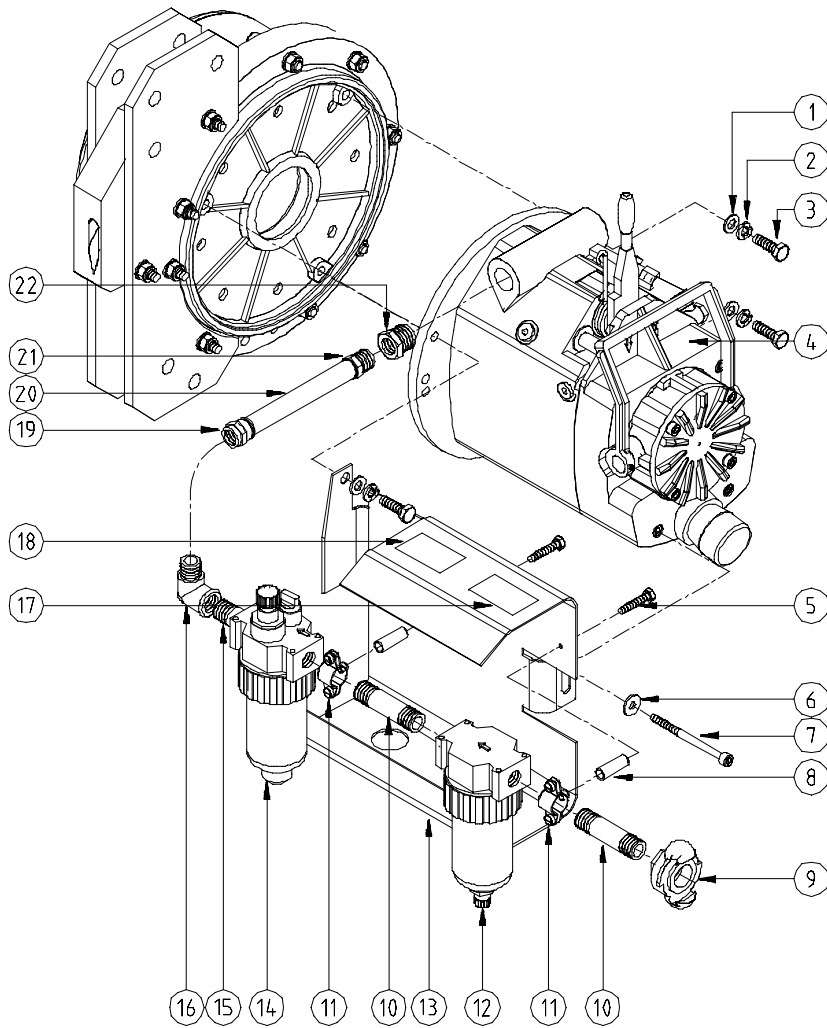


ITEM	PARTNO	QTY	DESCRIPTION
1	126-605	1	Enclosure (Includes 2-5)
2	126-592	1	Blk. Operator & N.O. Control
3	126-593	1	Whit Operator & N.O. Control
4	126-591	1	Nameplate
5	126-594	1	E-Stop Operator & Control
6	126-580	1	Insert, Maile, 6 Pin
7	126-581	1	Top Entry Housing
8	126-577	6-24 ft	5 Cond: 16 GA: 600 V: SOW Cord
10		2	Liquid Tight Connector
11	126-596	1	112" In. Sealing Ring
12	800-126	1	Decal, Plug Locking
	126-618	1	Connector
	136-378	1	Connector

Compact 750

Spitznas Air Motor Assembly Parts

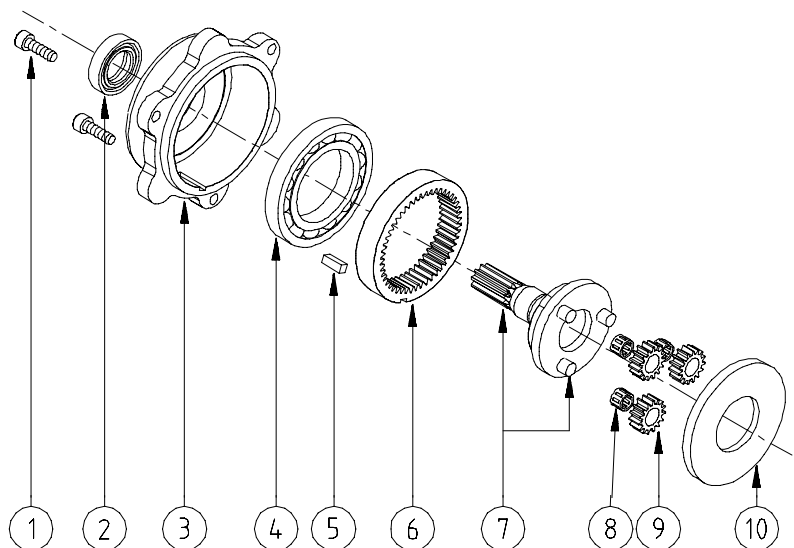
600-49



ITEM	PARTNO	QTY	DESCRIPTION
1	13000079	3	Washer
2	12000308	3	Lock Washer
3	13000525	3	Bolt
4	42081600	1	Air Motor (Spitznas) (See Pg. 9)
5	103808	2	Bolt
6	107-626	1	1/4" Washer
7	11002280	1	Bolt
8	100-31-2	2	Spacer
9	139-4	1	Air King Connector
10	101-130	2	Nipple Pipe
11	800-87	2	Beeline Pipe Clamp
12	101-152-2	1	Filter
13	800-74	1	Bracket
14	101-153-1	1	Lubricator Assy.
15	101-206-1	1	Close Nipple
16	101-126-2	1	Elbow
17	800-109	1	Controlled Descent
18	600-16	1	Decal, CX Air
19	101-124-2	1	Fitting
20	101-125-3	5"	Hose
21	101-213	1	Connector
22	139-22	1	Reducer Bushing 1/2" x 3/8" Brass

Air Motor Gearbox Assembly 42008463

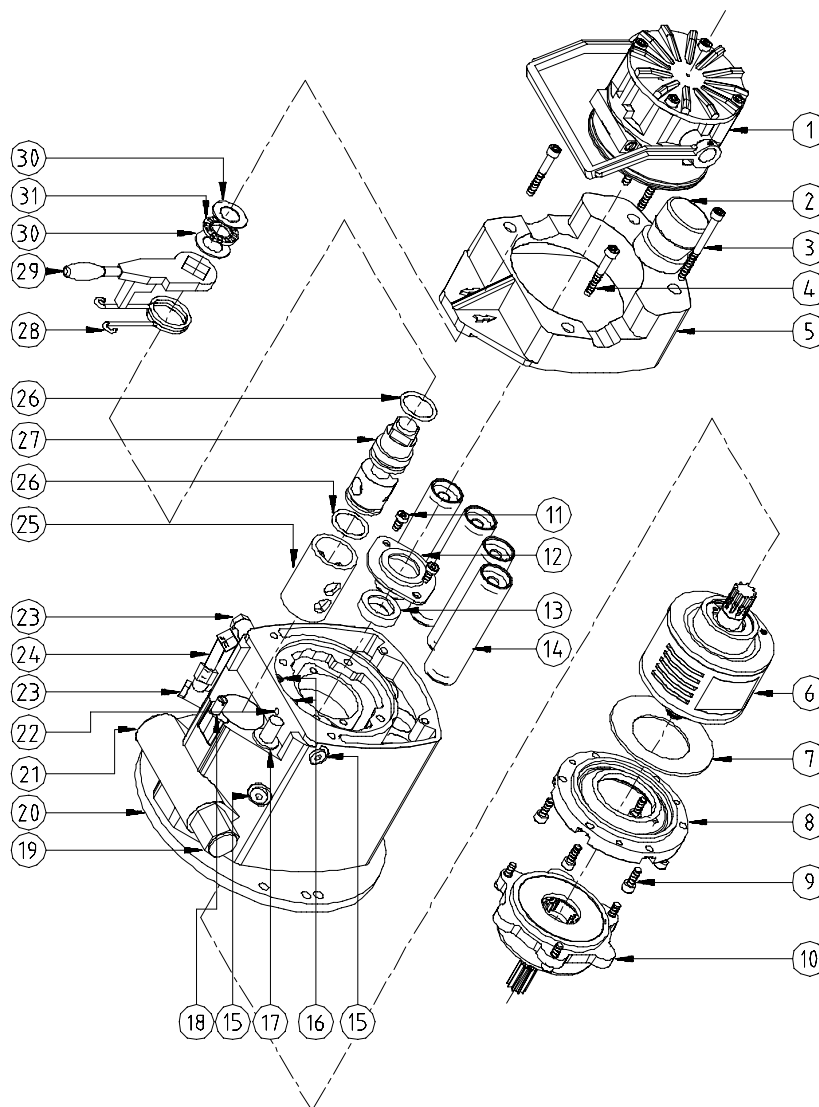
ITEM	PARTNO	QTY	DESCRIPTION
1	11002220	3	Screw
2	52008308	1	Seal
3	42008440	1	Housing
4	26008592	1	Ball Bearing
5	42008443	1	Key
6	42008442	1	Gear Wheel
7	42008444	1	Planet Carrier with Bolts
8	26008691	3	Needle Bearing
9	42008446	3	Planet Gear Wheel
10	42008447	1	Metal Ring



Compact 750

Air Motor Assembly

42081600



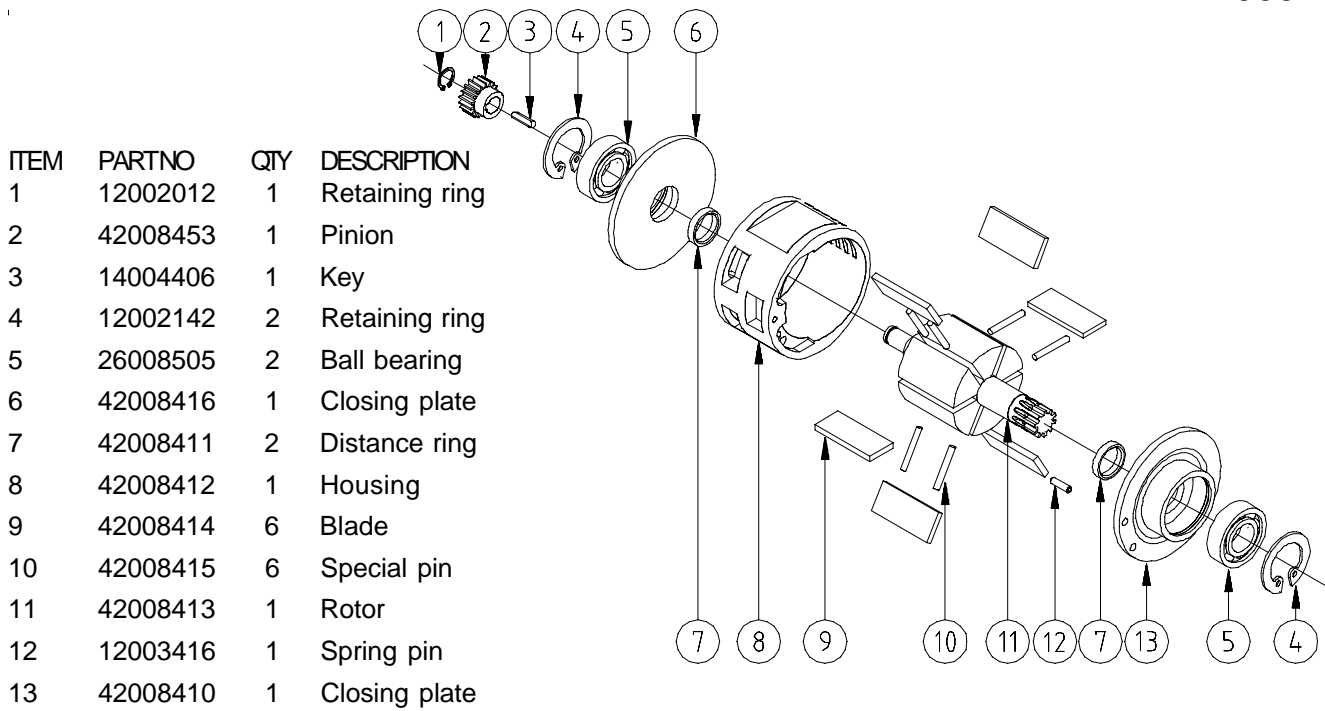
ITEM	PARTNO	QTY	DESCRIPTION	ITEM	PARTNO	QTY	DESCRIPTION
1	42008462	1	Brake Assembly (See Pg. 10)	17 *	42008452	1	Blocking Axle
2	42008451	1	Air Outlet Muffler	18 *	42008409	1	Screw
3	11002270	2	Screw	19	42008470	1	Inlet Nipple
4	11002245	2	Screw	20	42008471	1	Housing Assembly
5	42008425	1	Housing Flange	21 *	12009305	1	Plug
6	42008461	1	Rotor Assembly (See Pg. 10)	22 *	11003306	1	Socket
7	42008418	1	Dish	23 *	42008449	2	Elbow
8	42008419	1	Motor Flange	24 *	42008450	1	Tube
9	11002216	6	Screw	25 *	42008402	1	Bushing
10	42008463	1	Gearbox Assembly (See Pg. 8)	26 *	52008307	2	O-ring
11	42008421	2	Bolt	27 *	42008422	1	Valve
12	42008420	1	Closing Flange	28	42008423	1	Spring
13	52008308	1	Seal	29	42008424	1	Lever
14 *	42008408	4	Air Muffler Assembly	30	26008538	2	Washer
15 *	42008454	2	Plug	31	26008594	1	Needle Bearing
16 *	52008309	2	O-Ring				

*Part of Housing Assembly Item 20

Compact 750

Air Motor Rotor Assembly

42008461



Air Motor Brake Assembly

42008462



SKY CLIMBER®

Your Local Sky Climber Representative Is: